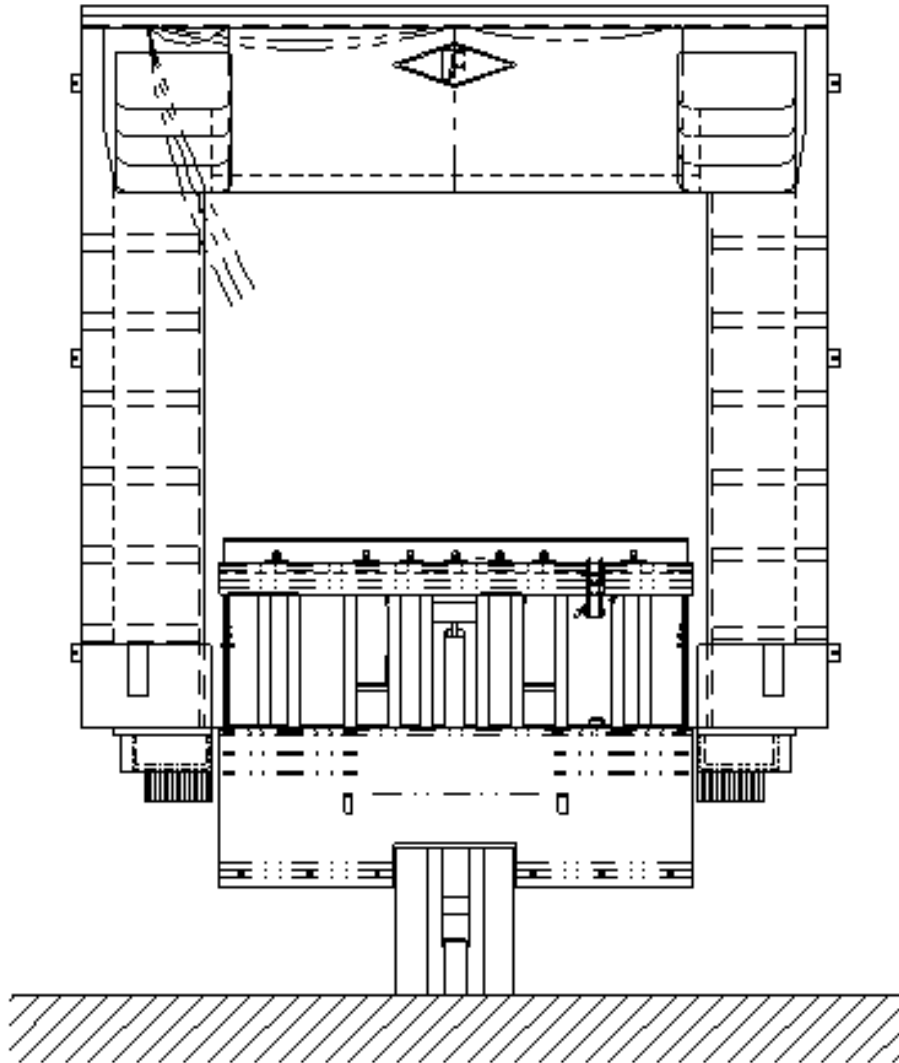

Frommelt® PitMaster™

Under-leveler Seal Owner's Manual



This Manual Covers All Units Shipped 3/08 to Date

File Information

Document Name: PM10-0003OM
Date Last Revised: 03/07/08
Revision Letter: A
Installation Instructions: PM10-0004

Introduction

Thank you for purchasing a Frommelt PitMaster Under-leveler Seal. For other applications, please contact your local Rite-Hite Representative.

General Precautions

**WARNING!!!**

Post safety warning and barricade work area, at dock level and ground level to prevent unauthorized use of the dock position while service work is being performed.

Illustrations

Illustrations for this document are contained on drawing #PM100007.

Care & Maintenance

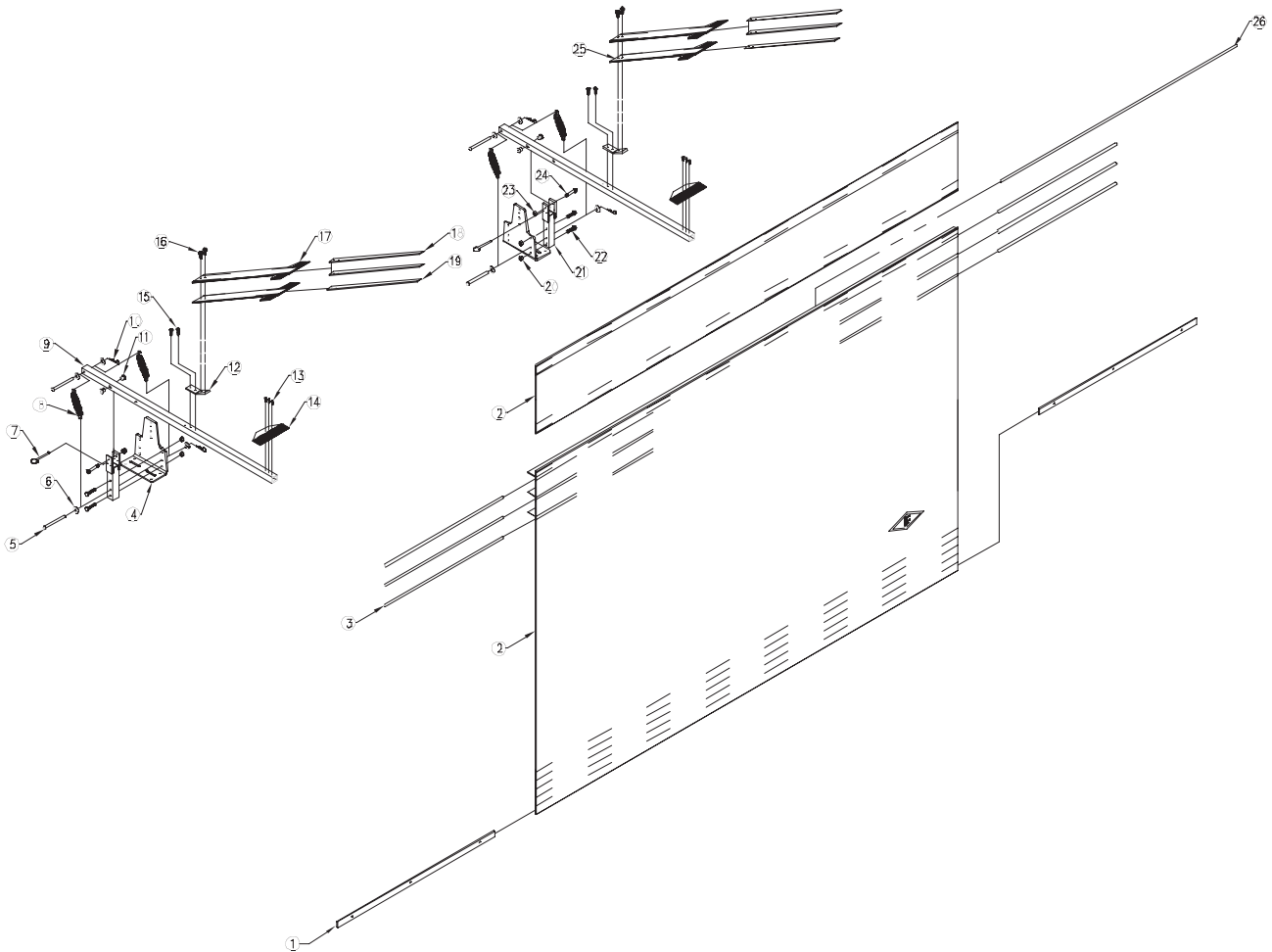
Occasional cleaning of the seal is recommended. Use a low pressure hose, or damp cloth to wash fabric, with a mild detergent and water solution.

NOTE: DO NOT LEAVE THE CURTAIN DETACHED FROM THE PIVOT ARMS AND CYCLE THE LEVELER! THE PIVOT ARM ASSEMBLY AND/OR THE LEVELER WILL BE DAMAGED!

EXPLODED VIEW

This exploded view represents a standard configuration of the PitMaster. The shipped unit may have configurations not shown in this exploded view, depending on options chosen and application of unit.

- | | |
|--|--|
| <ol style="list-style-type: none"> 1. Curtain Mounting Bar 2. Top Curtain 3. Fiberglass Rod, .187" x 24" 4. Universal Mounting Bracket 5. Clevis Pin, 3/BX4, ZNC 6. Washer, Flat, 5/16",ZNC 7. Safety Pin 8. Spring, 4.156L x 1.140ODX, .127WR 9. Pivot Arm 10. Clip, Bridgepin, 3/8 - 7/16 x .0915W 11. Bearing, Flange, 3/BIDX1/20DX3/BL,NYL 12. Stay Mounting Bracket 13. Screw,Phlp,DR/TP,#8 x 1/2" | <ol style="list-style-type: none"> 14. Mounting Tab 15. Screw,INDNTD,HWH,#12x3/4,ZNC,PRC 16. Screw,HWH,TH CT,1/4-20x3/4 17. Stay Cover, 17" 18. Stay, 17" 19. Stay, 16" 20. Nut,HEX,NYL, LOCK,3/8-16,ZNC 21. Universal Post Assembly 22. Screw,HHMS,3/8-16 x 2-1/4,ZNC 23. Nut,HEX,NYL LOCK,5/16-18,ZNC 24. Bolt,SHLDR,SCKT,3/BUNCX1-1/2 25. Stay Cover, 16" 26. Fiberglass Rod, 0.187" x 36" <p style="text-align: center;">Hardware Bag (not shown)</p> |
|--|--|



WARRANTY POLICY

Frommelt warrants that a PitMaster Seal will be free of defects in design, materials, and workmanship for a period of 365 days from the date of shipment. All claims for breach of this warranty must be made within 30 days after the defect is or can, with reasonable care, be detected and in no event more than 395 days after shipment. In order to be entitled to the benefits of this warranty, the products must have been properly installed, maintained, operated within their rated capacities, and not otherwise abused.

Frommelt expressly disclaims all implied warranties including the implied warranties of merchantability and fitness.

In the event of any defects covered by this warranty, Frommelt will remedy such defects by repairing or replacing any defective parts, bearing only the cost of the parts and transportation of those parts. This shall be the exclusive remedy for all claims whether base on contracts, negligence, or strict liability.

Frommelt shall not in any event be liable for any loss of use of any equipment or incidental or consequential damages of any kind.

“Our mission is to improve industrial safety, productivity and security worldwide through quality and innovation.”

Frommelt Products Corporation
A Rite-Hite® Company
8900 North Arbon Drive
P.O. Box 245020
Milwaukee, WI 53224-9520