

4

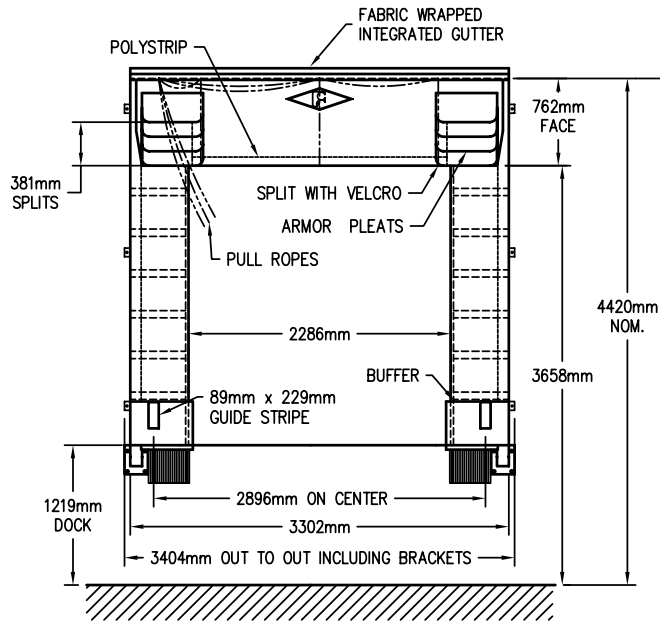
3

2

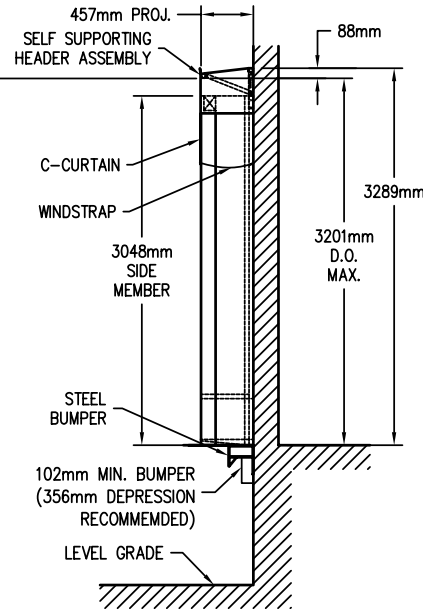
1

NEXT ASSEMBLY

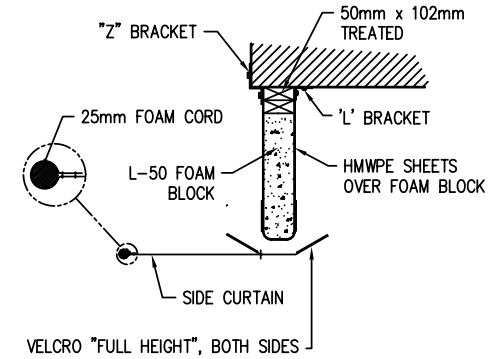
REVISION HISTORY					
REV	DESCRIPTION	ECH	DATE	BY	APPROVED
A	ADDED NOTE ABOUT RAISED BUMPER	08-009	3/26/08	GDB	
B	ADDED "FOR REFERENCE ONLY" NOTE	11-010	3/29/2011	GDB	



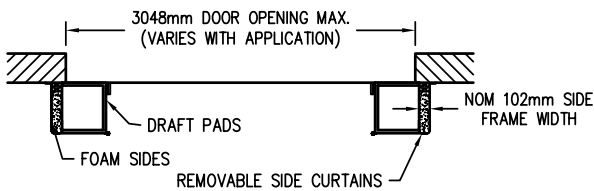
ELEVATION



RIGHT SIDE ELEV.



DETAIL



SECTION THRU PLAN

C STYLE CURTAIN: F114 22 PLUS, BLACK
 SIDE FRAME: F114 22 PLUS, BLACK
 SIDE CURTAIN: F114 22 PLUS, BLACK
 RECOMMENDED TRUCK COVERAGE: 3810mm - 4115mm HIGH
 X 2438mm - 2591mm WIDE

NOTE:
 APPLICATIONS THAT HAVE BUMPER MOUNTED ABOVE DOCK HEIGHT
 (OR ABOVE THE PIT FLOOR IN VERTICAL LEVELER APPLICATIONS) MAY
 REQUIRE THAT THE BOTTOM OF THE SIDE MEMBERS BE MOUNTED AT
 THE TOP OF THE BUMPER INSTEAD OF AT DOCK HEIGHT.

THIS DRAWING IS FOR
 REFERENCE ONLY.
 DO NOT USE FOR
 PRODUCTION PURPOSES.

©2002 FROMMELT PRODUCTS CORP.

INCH TOLERANCES			DO NOT SCALE DRAWING	
OVER	UP TO	+ / -	MM-DD-YY	DATE
0	0.125	0.005	MM-DD-YY	DATE
0.125	0.25	0.010	DRAWN BY	8/24/2007
0.25	1.25	0.020	CHECKED BY	DATE
1.25	5	0.030	APPROVED BY	DATE
5	15	0.040	INITIAL ECH	
15	40	0.050	DATE ISSUED	
40	80	0.100	REF	
80	-	0.125		

ITEM	QTY	PART NO.	DESCRIPTION
PARTS LIST / MATERIAL			
FROMMELT[®]			
PRODUCTS CORP.			
TITLE		ARCHITECTURAL APPROVAL (METRIC)	
MODEL NUMBER		610E SERIES SHELTER	
DWG NO		ELIMINATOR II - 102mm BACKERS	
SIZE	MODEL NUMBER	DWG NO	REV
C	610E	A7120092	B
SCALE 3/8"=1'		PART #	SHEET 1 of 1

DWG US A7120092 SHEET 1 of 1 REV B

4

3

2

1