

DWG NO
9803A001

SHEET
1

REV
E

NEXT ASSEMBLY

REVISION HISTORY

| REV | DESCRIPTION | ECN | DATE | BY | APPROVED |
|-----|-----------------------------------|------|------------|-----|----------|
| E | Chg weave size from 12x8 to 10x10 | 4876 | 10/7/2005 | MDB | |
| C | ADD DOOR OPENING HEIGHT DIM. | 3966 | 11/19/2002 | MRP | |
| D | REVISE MIN. DOOR SIZE TO 8'x8' | 4164 | 7/24/2003 | RJK | |

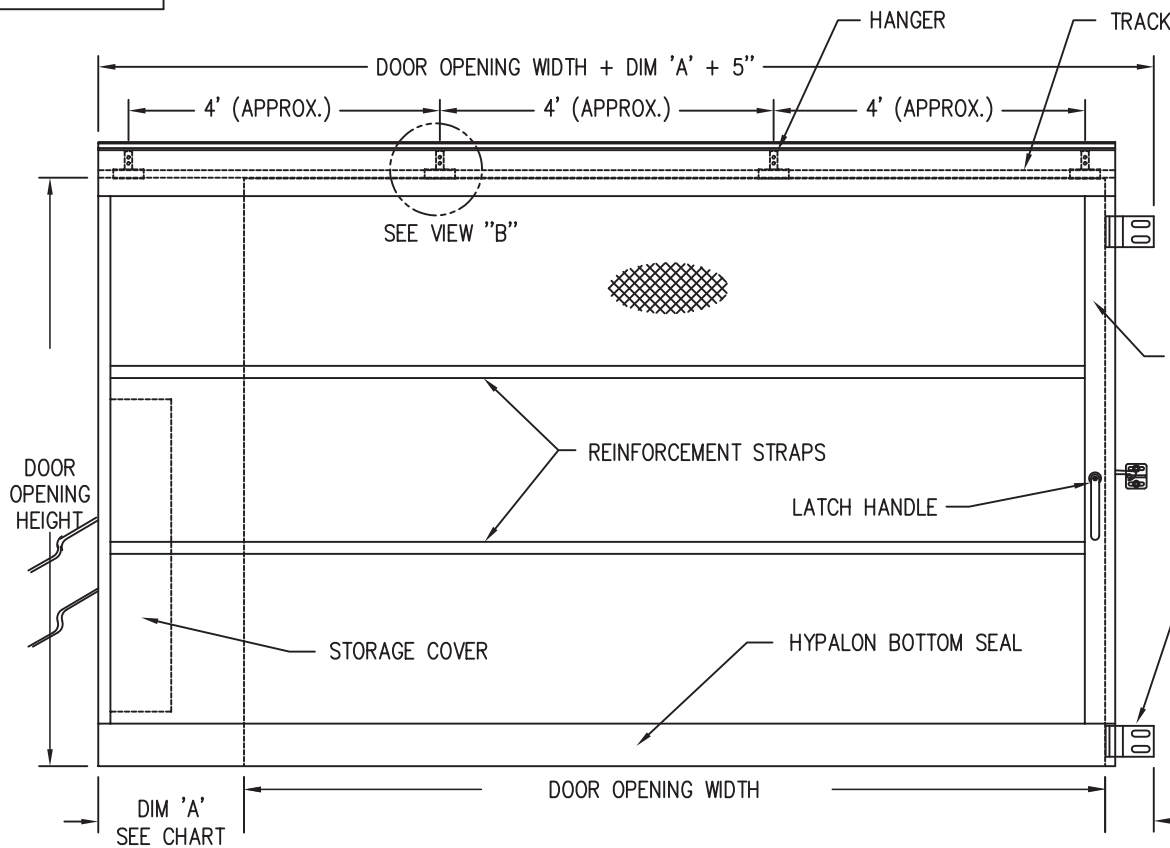
SPECIFICATIONS:

DOOR SIZE: MINIMUM SIZE: 8' x 8'
MAXIMUM SIZE: 20' x 18'

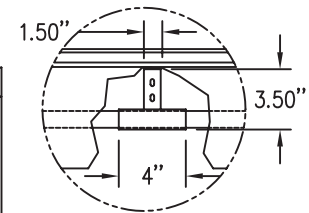
SCREEN MATERIAL: STD.- 17 X 11 WEAVE, .025" THREAD DIAMETER, YELLOW, RED, BLUE, GRAY
 OPT.- 10 X 10 WEAVE, .028" THREAD DIAMETER, BLACK

DRIVE SYSTEM: MANUAL OPERATION IS ACCOMPLISHED BY SLIDING THE CURTAIN IN A TROLLEY AND TRACK SYSTEM.

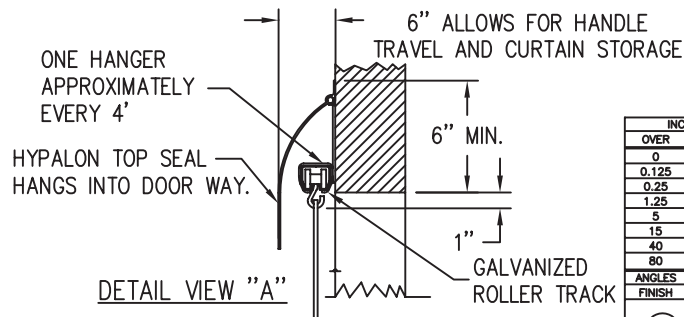
TRACK SYSTEM: GALVANIZED STEEL TRACK. TROLLEYS HAVE 1 INCH STEEL WHEELS AND ARE SPACED 12 INCHES APART.



| DOOR OPENING WIDTH | DIM 'A' |
|------------------------|---------|
| ≤ 10' - 0" | 24" |
| > 10' - 0" TO 15' - 0" | 30" |
| > 15' - 0" TO 20' - 0" | 36" |
| > 20' - 0" TO 25' - 0" | 42" |



DETAIL VIEW "A"



DETAIL VIEW "A"

| ITEM | QTY | PART NO. | DESCRIPTION |
|-----------------------|-----|----------|-------------|
| PARTS LIST / MATERIAL | | | |

| INCH TOLERANCES | | | DO NOT SCALE DRAWING | |
|------------------|-------|-------|----------------------|------------|
| OVER | UP TO | + / - | MM-DD-YY | DATE |
| 0 | 0.125 | 0.005 | | 12/10/1997 |
| 0.125 | 0.25 | 0.010 | DRAWN BY | DATE |
| 0.25 | 1.25 | 0.020 | CHECKED BY | DATE |
| 1.25 | 5 | 0.030 | APPROVED BY | DATE |
| 5 | 15 | 0.040 | INITIAL ECN | |
| 15 | 40 | 0.060 | DATE ISSUED | |
| 40 | 80 | 0.100 | REF | |
| 80 | - | 0.125 | | |
| ANGLES +/- 1 DEG | | | | |
| FINISH | | | | |

RITE-HITE
DOORS INC.

ARCHITECTURAL APPROVAL
SLIDING MODEL BUGSHIELD, FACE MO

| SIZE | MODEL NUMBER | DWG NO | REV |
|-------|--------------|----------|-----|
| B | 5600 | 9803A001 | E |
| SCALE | PART # | SHEET | |
| 6"=1' | | 1 | |

APPROVED YES NO AS MARKED

APP'D BY: _____

DATE: _____