

4

3

DWG NO
A7150021

SHEET
1 of 1

REV
A

1

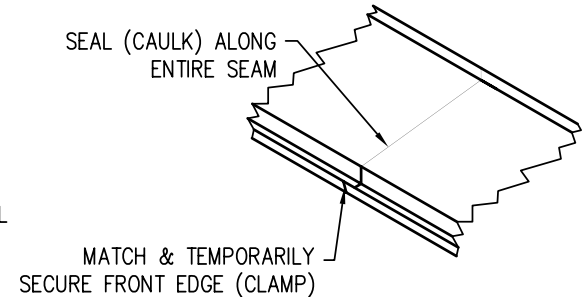
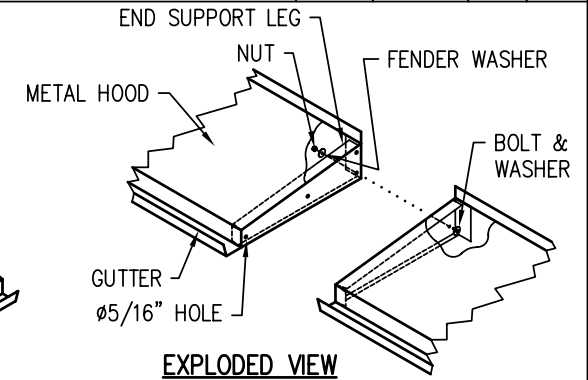
NEXT ASSEMBLY

REVISION HISTORY

REV	DESCRIPTION	ECN	DATE	BY	APPROVED
A	ADDED "FOR REFERENCE ONLY" NOTE	11-010	4/6/2011	GDB	

MODEL	PROJECTION	HEIGHT
MH 525G (GUTTER)	36"	12"
MH 525GL (GUTTERLESS)	36"	12"
MH 495G (GUTTER)	24"	8"
MH 495GL (GUTTERLESS)	24"	8"
MH 465G (GUTTER)	18"	6"
MH 465GL (GUTTERLESS)	18"	6"

10'-0" STD
12'-0" MAX. WIDTH
(FOR HOODS GREATER THAN
12'-0" BUTT HOODS TOGETHER
SEE DETAILS)



HOODS BOLTED TOGETHER

HOOD PAN
MATERIAL: 18 GA GALV. STEEL

SUPPORT LEG
MATERIAL: 16 GA GALV. STEEL (STD.)
HEAVY-DUTY MATERIAL: 12 GA GALV. STEEL (OPTIONAL)

HEIGHT
(SEE CHART)

HOOD PROJECTION
(SEE CHART)

GUTTER (STD.)
GUTTERLESS HOODS ARE OPTIONAL

THIS DRAWING IS FOR REFERENCE ONLY.
DO NOT USE FOR PRODUCTION PURPOSES.

ITEM	QTY	PART NO.	DESCRIPTION
PARTS LIST / MATERIAL			

INCH TOLERANCES			DO NOT SCALE DRAWING	
OVER	UP TO	+ / -	DATE	MM-DD-YY
0	0.125	0.005		
0.125	0.25	0.010		
0.25	1.25	0.020	DRAWN BY	JWB
1.25	5	0.030	DATE	02/08/1999
5	15	0.040	CHECKED BY	
15	40	0.060	DATE	
40	80	0.100	APPROVED BY	
80	-	0.125	DATE	
ANGLES	±/- 1 DEG		INITIAL ECN	
FINISH	NONE		DATE ISSUED	
REF			SCALE 3/4" = 1"	

FROMMELT[®]			
PRODUCTS CORP.			
TITLE			
OPTIONS ARCHITECTURAL APPROVAL METAL HOOD			
SIZE	MODEL NUMBER	DWG NO	REV
B	Hoods	A7150021	A
PART #			SHEET 1 of 1

4

3

2

1