

HIGH-SPEED, HIGH-PERFORMANCE DOORS

Simple design and easy choice for almost any opening

A single operational platform can be used for interior, exterior, cooler, freezer and high-wind applications

Versatile track configurations

Available with a radial track, standard lift, high lift, full vertical and custom configurations, FasTrax fits almost any opening with fewer costly building modifications

Simple, menu-based configurability

Choose only the features and options you need

Reinventing the wheel

The Traxion Drive System's drive gear, edge material and drive spheres eliminate the need for counterweights, springs or pulleys

Maximum uptime, minimum maintenance

Fewer moving parts mean fewer, less costly repairs and reliable, trouble-free performance

Industry's highest operating speeds

Operating speeds up to 100" per second allows fast cycle times that maximize productivity and energy savings

TRUE Auto Re-feed™

After an accidental impact, the FasTrax door re-feeds itself on the fly without human intervention, keeping your door closed and downtime to a minimum

Industry's safest door

Thanks to Soft-Edge™ Technology, two thru-beam photo eyes and optional large clear vision, I-Zone™ and VirtualVision



Radial lift

FASTRAX® HIGH-SPEED, HIGH-PERFORMANCE DOORS.

Easy is better. Easy to specify. Easy to operate. Easy to maintain. And easy to own. With Rite-Hite's FASTRAX high-performance industrial doors, the choice is easy.



High lift



Standard lift



Custom lift

Speed

Up to 100"/sec with standard variable-frequency drive.
Top speed is dependent on door size.

Size

Minimum – 5'0" w x 8'0" h (1524 mm x 2440 mm)
Maximum – 16'0" w x 16'0" h (4480 mm x 4480 mm)

Curtain material

Interior: DuraMax or vinyl
Exterior: DuraMax

Side frames

Powder-coated aluminum extrusion, 4-1/2" wide x 4-3/4" projection.

Drive system

2-HP motor, variable-frequency drive, cushioned motor mounts, Traxion Drive System – consisting of a drive gear, drive spheres and a composite-edge material which is attached to the curtain.

Electrical requirements

Single-phase: 220V – 240V
Three-phase: 208V, 230V, 400V, 460V, 575V

Control box

i-COMM™ Digital Controller, variable-frequency drive.

Curtain retention

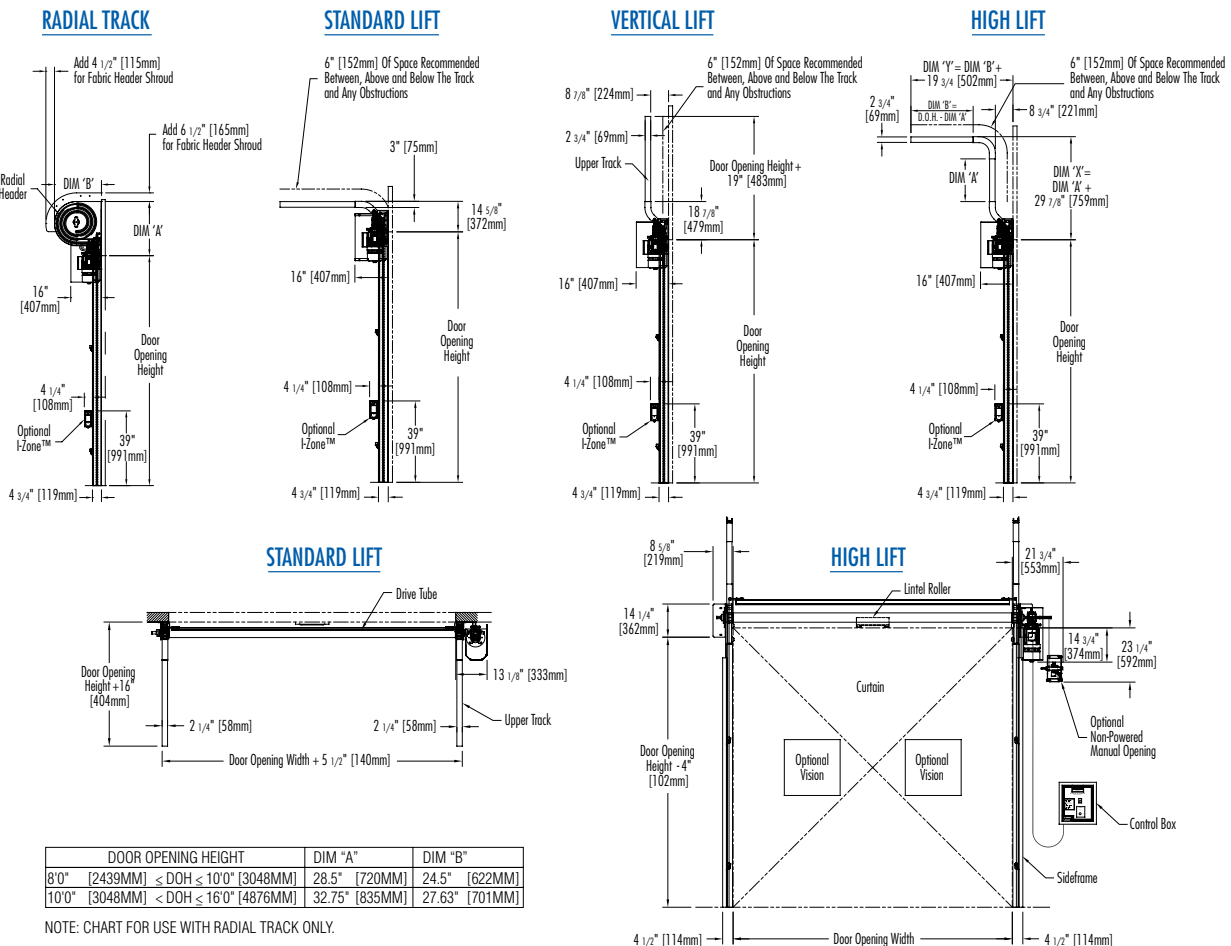
Wear-resistant Lexan wind guides keep tension on the curtain the entire length of the side frame. Standard wind pressure of 25 mph (0.3 in-H₂O, 50 pascals) for interior doors and 75 mph for external doors, includes TRUE Auto Re-feed system in case of accidental impacts to curtain.

Safety features

Soft-Edge™ Technology, two thru-beam photo eyes mounted at 18" and 54" off the floor.

Warranty

Limited one-year parts and labor on all components, including electrical. Limited five-year curtain replacement on DuraMax fabric material, excluding vision. Rite-Hite Doors also offers an exclusive 1-year money-back guarantee of customer satisfaction.



8900 North Arbon Drive Milwaukee, WI 53223 USA (414) 355-2600 (800) 456-0600 FAX: (414) 355-9248

Mailing Address: Rite-Hite P.O. Box 245020 Milwaukee, WI 53224 USA

www.ritehite.com www.ritehitedoors.com