

4

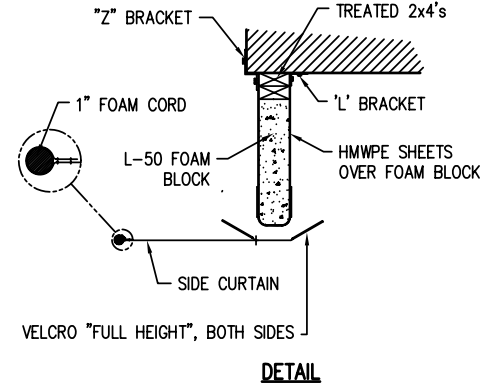
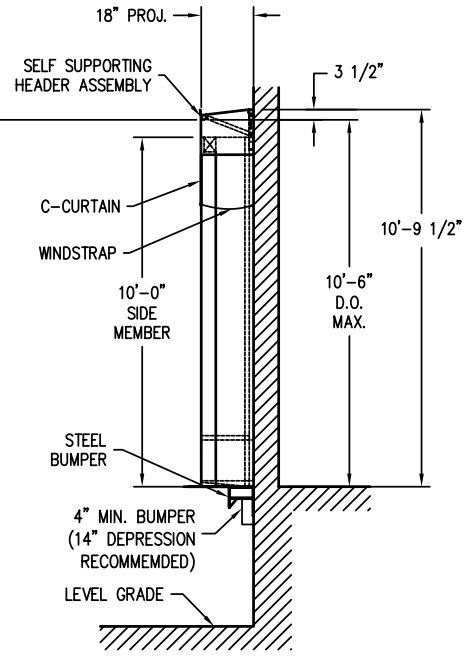
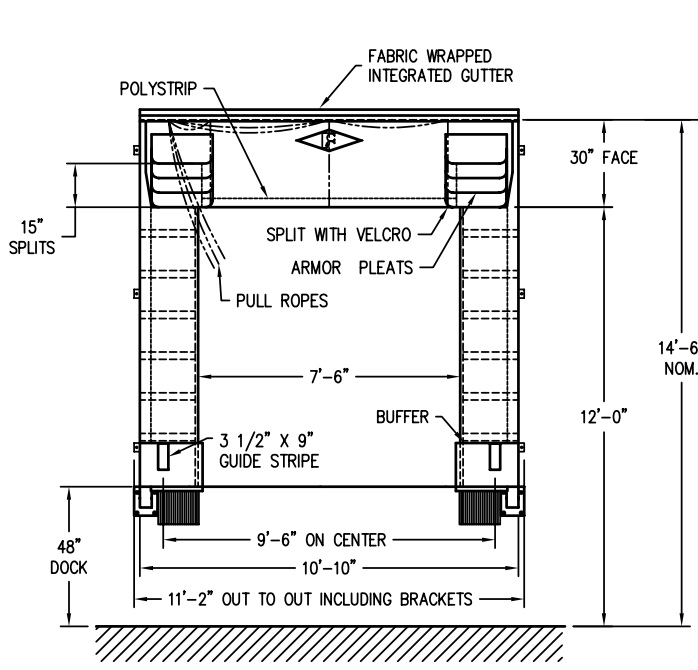
3

2

1

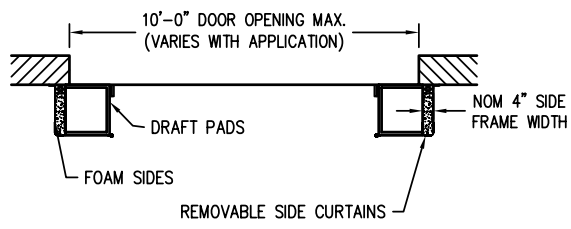
NEXT ASSEMBLY

REVISION HISTORY					
REV	DESCRIPTION	ECH	DATE	BY	APPROVED
A	ADDED NOTE ABOUT RAISED BUMPERS	08-009	3/26/08	GDB	
B	ADDED "FOR REFERENCE ONLY" NOTE	11-010	3/29/2011	GDB	



C STYLE CURTAIN: F114 22 PLUS, BLACK
 SIDE FRAME: F114 22 PLUS, BLACK
 SIDE CURTAIN: F114 22 PLUS, BLACK
 RECOMMENDED TRUCK COVERAGE: 12'-6" - 13'-6" HIGH X 8'-0" - 8'-6" WIDE

NOTE:
 APPLICATIONS THAT HAVE BUMPERS MOUNTED ABOVE DOCK HEIGHT (OR ABOVE THE PIT FLOOR IN VERTICAL LEVELER APPLICATIONS) MAY REQUIRE THAT THE BOTTOM OF THE SIDE MEMBERS BE MOUNTED AT THE TOP OF THE BUMPERS INSTEAD OF AT DOCK HEIGHT.



THIS DRAWING IS FOR REFERENCE ONLY. DO NOT USE FOR PRODUCTION PURPOSES.

©2002 FROMMELT PRODUCTS CORP.

INCH TOLERANCES			DO NOT SCALE DRAWING	
OVER	UP TO	+ / -	MM-DD-YY	DATE
0	0.125	0.005		
0.125	0.25	0.010		
0.25	1.25	0.020		
1.25	5	0.030		
5	15	0.040		
15	40	0.050		
40	80	0.100		
80	-	0.125		

ITEM	QTY	PART NO.	DESCRIPTION
PARTS LIST / MATERIAL			
<p align="center">FROMMELT[®] PRODUCTS CORP.</p> <p align="center">ARCHITECTURAL APPROVAL 610E SERIES SHELTER ELIMINATOR II - 4" BACKERS</p>			
DATE ISSUED	1/31/05	DATE	
INITIAL ECH	05-003	DATE	
DATE ISSUED	1/31/05	DATE	
APPROVED BY		DATE	
CHECKED BY	CJD	DATE	1/28/05
DRAWN BY		DATE	
FINISH	NONE	SCALE	3/8"=1'
MODEL NUMBER	610E	DWG NO	A7120062
REV	B	SHEET	1 of 1

4

3

2

1

DWG NO A7120062 SHEET 1 of 1 REV B