

Safety	2
Operating Instructions	3
Transport Wheel Assembly.	4
Maintenance	4
Parts	5-6
Warranty	8



Language: English

The English version of this manual shall prevail over any error in, or conflicting interpretation of, any translations.

NOTICE TO USER

Thank you for purchasing the TS-2000 Trailer Stand. This heavy duty trailer stand provides additional safety to a parked trailer resting on its landing gear.

Capacity: 50044 lb [22700 kg]

Read, understand and save this manual prior to installation or operation of this equipment.

For best results, have this product serviced by your authorized RITE-HITE® Representative.

SAFETY

Safety Identifications

DANGER

Indicates a hazardous situation which, if not avoided, will result in death or serious injury.

WARNING / AVERTISSEMENT

Indicates a hazardous situation which, if not avoided, could result in death or serious injury.

CAUTION / ATTENTION

Indicates a hazardous situation which, if not avoided, could result in minor or moderate injury.

NOTICE

Indicates a situation which can cause damage to the equipment, personal property and/or the environment, or cause the equipment to operate improperly.

NOTE: A note is used to inform you of important installation, operation, or maintenance information.

OPERATING INSTRUCTIONS

WARNING

Do not put arms or hands between the trailer and the TS-2000-Trailer Stand.

1. Confirm vehicle restraint and/or wheel chocks are securely in position.
2. The trailer must be horizontal. If necessary, adjust the height of the landing gear.
3. Roll the trailer stand into position (A). It must fit underneath the nose of the trailer without any interference. If necessary turn the crank counter clockwise to decrease the height. The top plate of the trailer stand should be flush with the trailer front wall.
4. With the TS-2000 in this position, turn the crank clockwise so that it is snug up against the underside of the trailer's nose (B). Rotate the crank to the closest position backward where it is pointed downward. It is acceptable to have a gap of up to one inch [25 mm] between the top of the trailer stand and the bottom of the trailer.
5. Drop the looped chain over the crank of the trailer stand to secure the position (C).

Removing the TS-2000

1. The tractor should stand-by to be coupled with the trailer.
2. Confirm vehicle restraint and/or wheel chocks are securely in position.
3. Check the height of the landing gear. It should firmly touch the ground.
4. Lift the chain off of the crank and allow it to rest on the rotating shaft.
5. Turning the handle counter clockwise, crank down the TS-2000 to allow the trailer stand to roll out.

NOTE: If the trailer stand is tight, remove weight from the trailer stand by cranking up the legs of the trailer so the trailer stand can be removed smoothly without jerking.

6. Remove the trailer stand.
7. Allow the tractor to connect with the trailer.
8. Disengage any vehicle restraints or wheel chocks.
9. Clean and store the TS-2000.



Figure 1

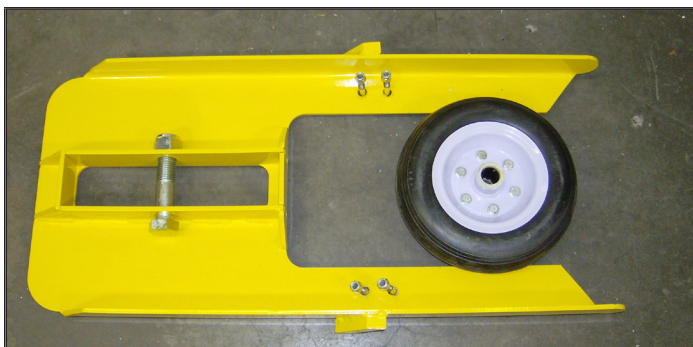
TRANSPORT WHEEL ASSEMBLY (OPTIONAL)

Tools Required

- 1 9/16" wrench
- 2 large channel lock pliers or vice grips

Components

Verify you received all components before installation. Notify the factory if parts are missing or damaged.



- 1 Transport wheel support weldment (yellow)
- 1 10" solid rubber wheel
- 1 1" wheel axle bolt and nylock nut
- 2 3/8" U-bolts with lock nuts

Assembly Instructions

NOTE: For easier assembly, the trailer stand can be tipped over (front of the stand on the pavement). It will require (2) people to tip the trailer stand over and bring it back to the vertical position.

1. Install the wheel into the weldment by inserting the wheel into the slot in the weldment and sliding the axle bolt through the holes provided. Securely tighten the axle bolt engaging the bolt into the nylon portion of the nut (A). Do not over-tighten to the point where the wheel rotation is restricted.
2. Remove the nuts from the U-Bolts and slide the U-Bolts from the weldment.
3. Slide the weldment into position under the trailer stand axle until the holes for the U-Bolts align with the axle. Install the U-Bolts around the trailer stand axle and down through the weldment holes. Install the nylon lock nuts onto the U-Bolts. Tighten the nuts securely and evenly (B).



Figure 2

PLANNED MAINTENANCE

Before each use, inspect the stand for:

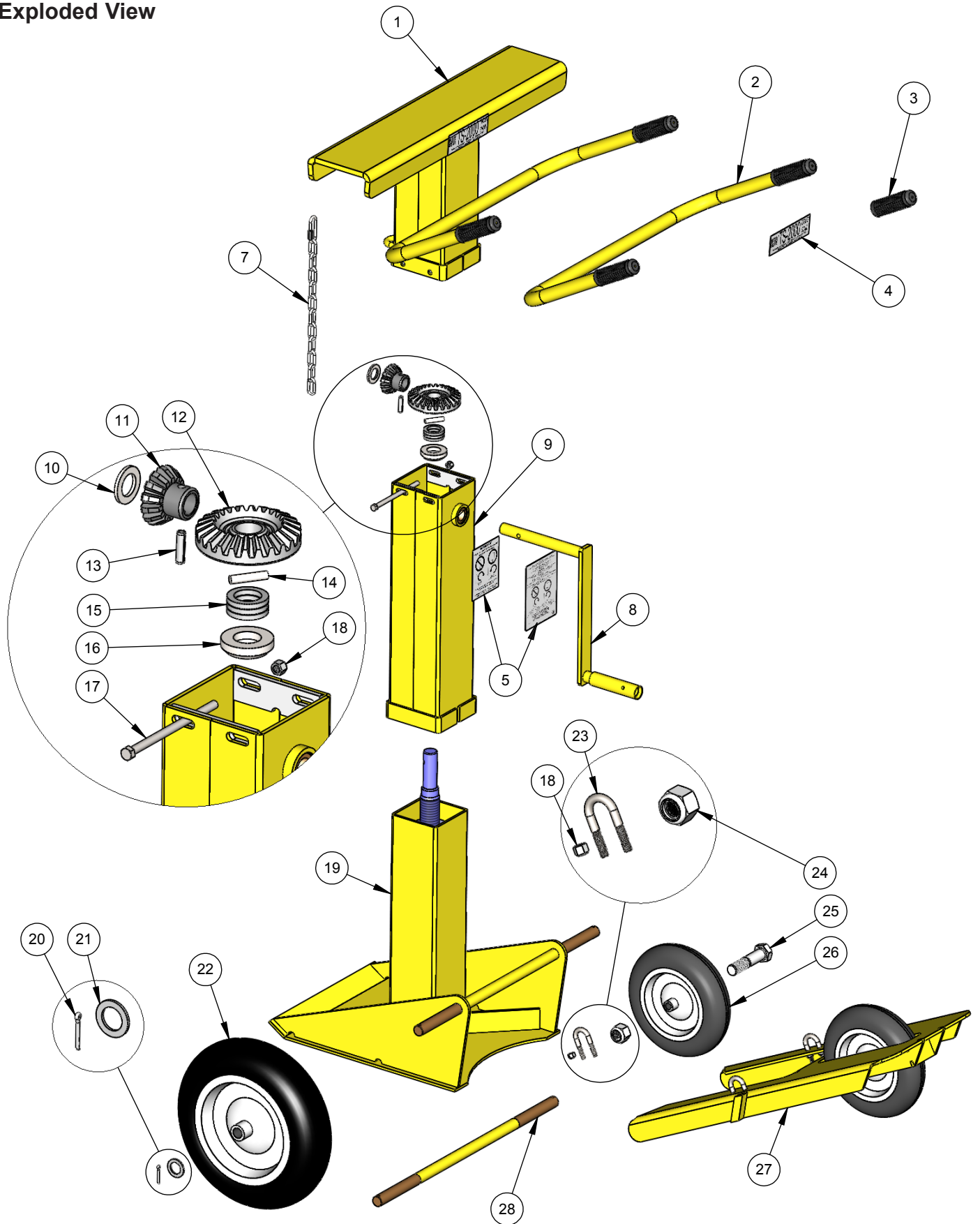
- Bent parts (ex. handles, top cover, or crank)
- Broken welds
- Attached chain

Semi-annually, verify the trailer stand moves and operates freely. If necessary, lubricate the wheels. If binding occurs in the main structure, it may be necessary to disassemble the top section to determine the cause.

Replace any parts that may be broken or bent.

PARTS

Exploded View



PARTS *Continued*

#	DESCRIPTION	PART #
1	SEAT, ASSY,HNDLD, TS2000,36"	88400001
	SEAT, ASSY,HNDLD, TS2000,38.5"	88400002
	SEAT, ASSY,HNDLD, TS2000,42.5"	88400003
2	HANDLE,BAR W/GRIPS,TS2000	51850054
3	GRIP,HANDLE,VINYL,1-1/4ODX4-1/2"	55150278
4	LABEL,PRODUCT,TS2000	53850675
5	LABEL,ROTATION,CAPACITY,TS2000	53850676
	LABEL,ROTATION,CAPACITY,TS,CE	53850690
7	CHAIN,ASSY,TS2000	16600068
8	CRANK,WLDMNT,TS2000,8.5"	19600003
	CRANK,WLDMNT,TS2000,10.5"	19600004
	CRANK,WLDMNT,TS2000,13.5"	19600005
9	HOUSING,RISER,WLDMNT,LWER,TS	52930032
	HOUSING,RISER,WLDMNT,LWER,TS,CE	52900033
10	SPACER,1-34ODX1IDX5/32	70450171
11	GEAR,PINION,BEVELED,2.75	51230002
12	GEAR,PINION,BEVELED,4.5	51230003
13	SMALL GEAR SPRING PIN	64010012
14	PIN,DOWEL,3/8X2,STL	64040037
15	BRG,THRUST,1.253 ID X 1.872 OD	12500050
16	SPACER,DRIVE,RISER,TS2000	70450172
17	SCR,HHMS,3/8-16X6.5,GR5,ZNC	67880145
18	NUT,HEX,NYL LOCK,3/8-16,ZNC	55630005
19	CHASSIS,WLDMNT,W/SHAFT,TS2000	51550279
20	PIN,COTTER,3/16X1-1/4	64030009
21	WSHR,FLAT,1-1/8X1-3/4X1/8,ZNC	74170030
22	WHEEL,RIM/TIRE,16ODX4WX1" BORE	75550016
23	BLT,U,3/8,1X1-3/4,SS	67880146
24	NUT,HEX,1-8,GR8,ZNC	55670016
25	SCR,HHMS,1-8,4-1/2,GR5,ZNC	67920012
26	WHEEL,RIM/TIRE,10ODX4WX1" BORE	75550018
27	COMPLETE TRANSPORT WHEEL (UNASSEMBLED)	75550017
28	AXLE ONLY, UNFINISHED	118600001



EC Declaration of Conformity

We: **Rite-Hite Aftermarket Corporation**
8900 North Arbon Drive
Milwaukee, WI 56223 USA

in accordance with the following Directives:

2006/42/EG Machinery Directive

hereby declare that the:

TS-2000 Trailer Stand

is in conformity with the applicable requirements of the following standards:

EN 12100-1 Safety of Machinery – General Methodolgy. Risk Assessment and Risk Reduction
EN 12100-2 Safety of Machinery – Basic Concepts. General Principles for Design
 Part 2: Technical Principles
EN 13155 Non-fixed load lifting attachments

Load rating to 50,000 lbs (22,700 Kg)

Authorized:
Ron Snyder
Engineering Manger
Rite-Hite Aftermarket Corporation
4343 Chavenelle Drive
Dubuque, IA 52002 USA

A handwritten signature in black ink that reads "Ron Snyder".

Ron Snyder
Date: April 15, 2014

Represented in the EU by:
Gerwin Jansen
Product Manager
Rite-Hite Europe
Carl-Zeiss-Strasse 3
34471 Volkmarsen Germany



RITE-HITE Company, LLC and its affiliates (collectively "RITE-HITE") warrants that the Product sold to the Owner will be free of defects in design, materials and workmanship (ordinary wear and tear excepted) for the periods set forth below ("Limited Warranty").

Three (3) Years on all mechanical and electrical parts.
One (1) Year labor, based on approved travel and labor repair times.

REMEDIES

PARTS- RITE-HITE's obligations under this Limited Warranty is limited to repairing or replacing, at RITE-HITE's option, any part which is determined by RITE-HITE to be defective during the applicable warranty period. Such repair or replacement shall be RITE-HITE's sole obligation and the Owner's exclusive remedy under this Limited Warranty.

LABOR- RITE-HITE will provide warranty service without charge for labor per the specified warranty period. Thereafter, a charge will apply to any repair or replacement under this Limited Warranty.

CLAIMS Claims under this Limited Warranty must be made (i) within 30 (thirty) days after discovery and (ii) prior to expiration of the applicable warranty period. Claims shall be made in writing or by contacting the representative from whom the Product was purchased directly. Owner must allow RITE-HITE or its agent, a reasonable opportunity to inspect any Product claimed to be defective and shall, at RITE-HITE's option, either (x) grant RITE-HITE or its agent access to Owner's premises for the purpose of repairing or replacing the Product or (y) return of the Product to the RITE-HITE, f.o.b. RITE-HITE's factory.

NOT WARRANTED RITE-HITE does not warrant against and is not responsible for wear items such as fuses, batteries, bulbs, vision and seals. No implied warranty shall be deemed to cover, damages that result directly or indirectly from: (i) the unauthorized modification or repair of the Product, (ii) damage due to misuse, neglect, accident, failure to provide necessary maintenance, or normal wear and tear of the Product, (iii) failure to follow RITE-HITE's instructions for installation, failure to operate the Product within the Product's rated capacities and/or specified design parameters, or failure to properly maintain the Product, (iv) use of the Product in a manner that is inconsistent with RITE-HITE's guidelines or local building codes, (v) movement, settling, distortion, or collapse of the ground, or of improvements to which the Products are affixed, (vi) fire, flood, earthquake, elements of nature or acts of God, riots, civil disorder, war, or any other cause beyond the reasonable control of RITE-HITE, (vii) improper handling, storage, abuse, or neglect of the Product by Owner or by any third party.

DISCLAIMERS THIS LIMITED WARRANTY IS EXCLUSIVE AND IN LIEU OF ALL OTHER REPRESENTATIONS AND WARRANTIES, EXPRESS OR IMPLIED, AND RITE-HITE EXPRESSLY DISCLAIMS AND EXCLUDES ANY IMPLIED WARRANTIES OF MERCHANTABILITY OR FITNESS FOR PURPOSE. RITE-HITE SHALL NOT BE SUBJECT TO ANY OTHER OBLIGATIONS OR LIABILITIES, WHETHER ARISING OUT OF BREACH OF CONTRACT, WARRANTY, TORT (INCLUDING NEGLIGENCE AND STRICT LIABILITY) OR OTHER THEORIES OF LAW, WITH RESPECT TO THE PRODUCTS SOLD OR SERVICES RENDERED BY RITE-HITE, OR ANY UNDERTAKINGS, ACTS, OR OMISSIONS RELATING THERETO.

LIMITATION OF LIABILITY IN NO EVENT SHALL RITE-HITE BE RESPONSIBLE FOR, OR LIABLE TO ANYONE FOR, SPECIAL, INDIRECT, COLLATERAL, PUNITIVE, INCIDENTAL, OR CONSEQUENTIAL DAMAGES, EVEN IF RITE-HITE HAS BEEN ADVISED OF THE POSSIBILITY OF SUCH DAMAGES. Such excluded damages include, but are not limited to, personal injury, damage to property, loss of goodwill, loss of profits, loss of use, cost of cover with any substitute product, interruption of business, or other similar indirect financial loss.

GLOBAL SALES & SERVICE *Representatives in All Major Cities*

RITE-HITE WORLD HEADQUARTERS

8900 N. Arbon Drive
P.O. Box 245020
Milwaukee, Wisconsin 53224-9520

Tél : 1-414-355-2600
États-Unis uniquement : 1-800-456-0600

RITE-HITE CHINA

First Floor, Building #3,
558 Tongxie Road,
Changning District
Shanghai 200335, China

Tél : +86-21-6237-6333

RITE-HITE LATIN AMERICA

Alameda Lorena, 800 - Conj. 401/402
- Jardim Paulista
São Paulo/SP, CEP 01424- Brazil

Tél : 011-55-11-3527-9590

RITE-HITE GMBH

Carl-Zeiss-Strasse 3
34471 Volkmarsen, Germany

Tél : 011-49-5693-9870 0