

NOTICE TO USER 2

SAFETY 2

Lockout Procedure 3

INSTALLATION

Preparation 4

Telescoping Support Arm 5

Wall Bracket Position (STANDARD) 6

Wall Bracket Adjustment (OPTIONAL) 7

Wall Bracket/Support Arm 8

Fan Mounting Bracket 8

Secure Power Cords 9

OPERATION

Fan Controls 10

Light Controls 11

Positioning 13

MAINTENANCE 13

PARTS

CoolMan[®] 2800 Trailer Fan
with Rite-Lite[™] LED Dock Light 14

LED Light and Controls 14

WARRANTY 16

NOTICE TO USER

READ AND SAVE THESE INSTRUCTIONS.

Thank you for purchasing a Rite-Hite® product.

The CoolMan® 2800 Trailer Fan with Rite-Lite™ LED Dock Light offers enhanced flexibility and adjustability when cooling and lighting a trailer or container at the loading dock.

The English version of this manual shall prevail over any error in, or conflicting interpretation of, any translations.

Rite-Hite reserves the right to substitute and/or modify parts and drawings. If separate prints are included with the unit, they supersede those contained in the manual.

For best results, have this product serviced by an authorized Rite-Hite representative.

A Planned Maintenance Program (P.M.P.), customized to your specific operation is available and recommended. For a P.M.P., contact your local Rite-Hite representative or Rite-Hite technical support at (U.S.) 1-414-973-3625 or 1-888-456-3625, (S.A.) +55 21 99616 4421, (E.U.) +49-5693 98700.

The Rite-Hite® products in this manual are covered by one or more of the following U.S. patents: D693947, D701640, D702397, US9255699 and may be covered by additional pending U.S. and foreign patent applications.

Manufactured by Rite-Hite Engineered Solutions Group, Inc.

SAFETY

Safety Identifications

DANGER

Indicates a hazardous situation which, if not avoided, will result in death or serious injury.

Indique une situation dangereuse qui, si elle n'est pas évitée, peut entraîner la mort ou de graves blessures.

WARNING / AVERTISSEMENT

Indicates a hazardous situation which, if not avoided, could result in death or serious injury.

Indique une situation dangereuse qui, si elle n'est pas évitée, peut entraîner la mort ou des blessures graves.

CAUTION / ATTENTION

Indicates a hazardous situation which, if not avoided, could result in minor or moderate injury.

Indique une situation dangereuse qui, si elle n'est pas évitée, peut entraîner des blessures légères à modérées.

NOTICE

Indicates a situation which can cause damage to the equipment, personal property and/or the environment, or cause the equipment to operate improperly.

NOTE: A note is used to inform you of important installation, operation, or maintenance information.

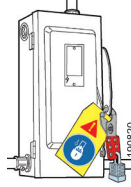
SAFETY

Lockout Procedure

Barricade work area and post safety warnings.

Power supply and control must:

- Be disconnected or locked in OFF position using a lockout device approved by local codes.
 - Have signage that;
 - Clearly states repairs are being made.
 - Identifies person responsible for lockout condition.
- NOTE:** Only this person should be able to remove warnings and lockout device.
- Withstands environmental conditions (weather, wet, and damp, etc.) and remains readable.



General

WARNING / AVERTISSEMENT



Risk of electrical shock. **DO NOT** expose to water or rain.

Risque de choc électrique. **NE PAS** exposer à l'eau ou à la pluie.

WARNING / AVERTISSEMENT

Prior to use, visually inspect cord for damage. Immediately remove unit from service if jacket or insulation appears frayed, cut, pinched, or crushed, or if grounding pin is damaged or missing.

Avant l'utilisation, inspecter visuellement le cordon pour dommages. Enlever immédiatement unité service si veste ou isolation apparaît effilochée, coupée, pincés ou écrasés, ou si la goupille de mise à la terre est endommagé ou manquant.

WARNING / AVERTISSEMENT

Use only three wire extension cords that have three prong grounding plugs and grounding receptacles that accept the appliance's plug. Use only with a hard service extension cord of type SJ, SJO, SJT, SJTW, or equivalent.

Utiliser seulement des rallonges qui ont trois broches avec une mise en terre et des réceptacles compatibles acceptant la prise de l'appareil. Utilisez uniquement des rallonges pour usage intensif de type SJ, SJO, SJT, SJTW ou équivalent.

CAUTION / ATTENTION

Barricade the work area until the unit(s) have been completely installed.

Barricader la zone de travail jusqu'à ce que l'unité(s) ont été complètement installé.

INSTALLATION

The CoolMan 2800 is designed to be mounted in various ways depending on the requirements of the installation site. Some field engineering is allowed. Contact Rite-Hite technical support at (U.S.) 888-456-3625 or 1-414-973-3625, (S.A.) +55 21 99616 4421, (E.U.) +49-5693 98700 for assistance with instructions outside of these guidelines.

The CoolMan 2800 rotates on 3 bolted connections including the wall bracket, the double arm to single arm connections, and the swivel clevis.

Preparation

Components

Before installation, verify all components were received. Notify your Rite-Hite representative if parts are missing or damaged.

CoolMan 2800 components are shipped in 4 boxes:

1 Fan
1 Support arm assembly
1 Wall mount bracket or 1 adjustable wall mount bracket
1 Fan mount or 1 fan mount with Rite-Lite LED Dock Light

Required Tools

1 Tape measure
1 Diagonal cutter or box knife
1 Bubble level
2 Wrenches 1/2in
2 Wrenches 15/16in
1 Drill
1 Step Ladder
Tools for 4 wall anchors (supplied by others). Minimum of (4) 1/2in x 3in [12mm x 75mm].

CoolMan 2800 dB(A)

Measured 36.0in [920 mm] from Air Inlet and Motor						
Measured 108.0in [2750 mm] from Air Outlet						
Switch Position	115V 60 Hz			220V 50 Hz		
	Motor	Inlet	Outlet	Motor	Inlet	Outlet
1	74	78	73	67	72	68
2	81	84	78	74	78	73
3	84	87	81	77	81	76

220 RPM Estimated not measured
Extech 407736 Sound Level Meter

Fan Specifications

Size	16in x 16in x 16in [410mm x 410mm x 410 mm]	
Weight	Wall Bracket	9lb [4kg]
	Adjustable Wall Bracket	38lb [17kg]
	Support Arm	32lb [15kg]
	Fan Mount	7lb [3kg]
	Fan Mount with LED	10lb [5kg]
Fan	19lb [9kg]	
FLA	5.0 Amps at 115 Volts 60 Hertz	
FLA	2.2 Amps at 230 Volts 50 Hertz	
CFM	2800 [79 m3/min]	
Controls	Off, Low, Medium, High	
	Variable 1 - 180 minute auto-off timer	
Power Cord	20ft [6.1m]	
Plug	NEMA 5-15 (115V) or Schuko CEE 7/7 (230V)	
Ingress Protection	40	
Approvals	ETL / cETL to UL 507 & CSA C22.2 No. 113	
	CE	

Light Specifications

Lumens	980
Power	18 watts
Color	3500 "warm" Correlated Color Temperature IEC 62471 photobiological risk group 1 (low risk)
Controls	Dimmable with four intensity settings Optional motion sensing with auto dimming and power save
Power Cord	20ft [6.1m]
Plug	NEMA 5-15 (115V) or Schuko CEE 7/7 (230V)
Approvals	cUL 153
	CE

Support Arm Assembly

Size	29in [410mm] double arm swing radius
	27in [690mm] single arm swing radius standard
	33in [840mm] single arm swing radius extended
Wall Bracket	6in x 16in x 0.25in [155mm x 410mm x 7mm]
Mounting Holes	4.5in x 14.5in x 0.5in [115mm x 370mm x 13mm]

INSTALLATION

Telescoping Support Arm

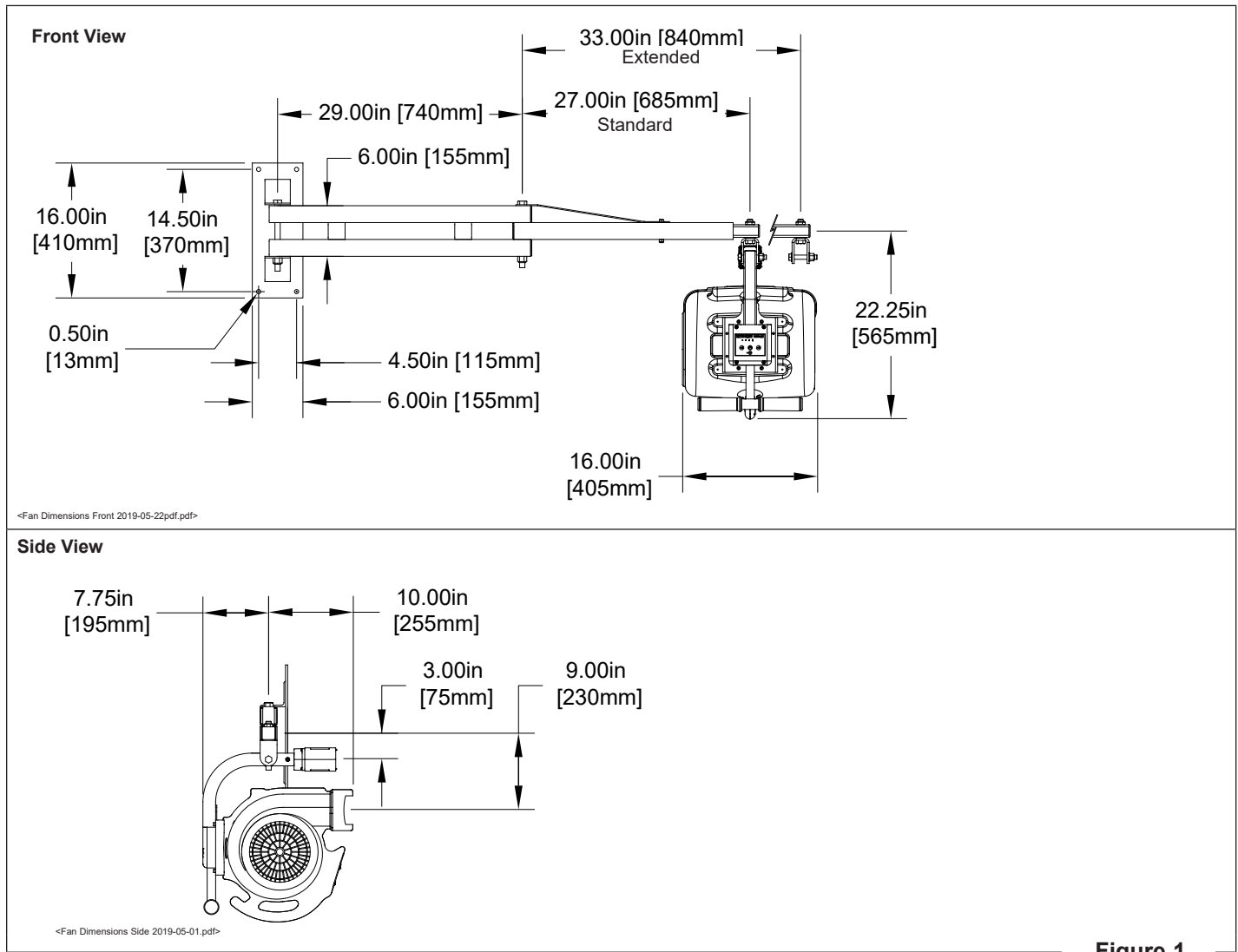


Figure 1

The support arm can be extended 6in [155mm] to compensate for obstructions affecting the wall bracket or to utilize the fan on two adjacent loading dock positions.

Remove and replace the 5/16in bolt with nylon lock nut to adjust the support arm length.

INSTALLATION

Wall Bracket Position (STANDARD)

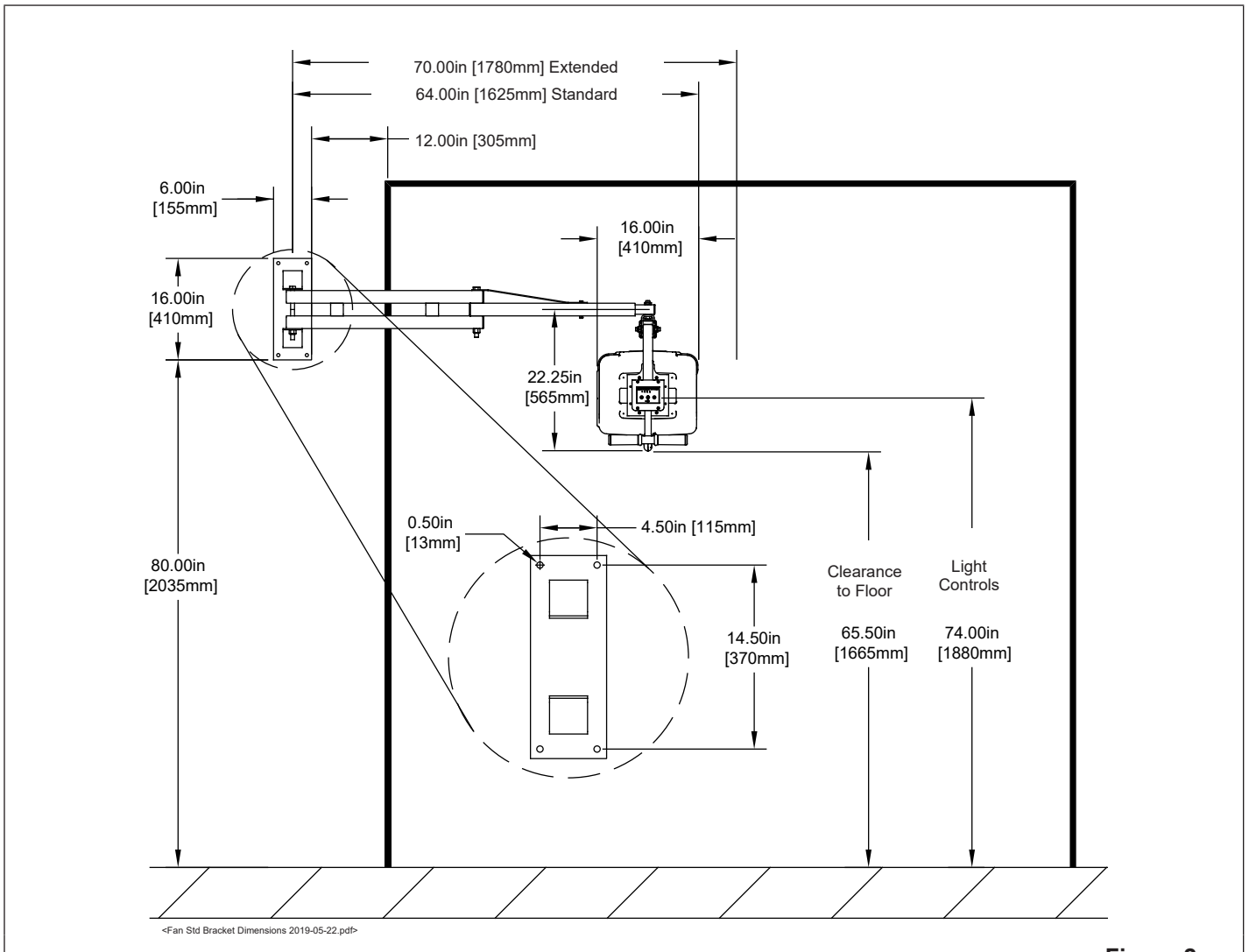


Figure 2

INSTALLATION

Wall Bracket Adjustment (OPTIONAL)

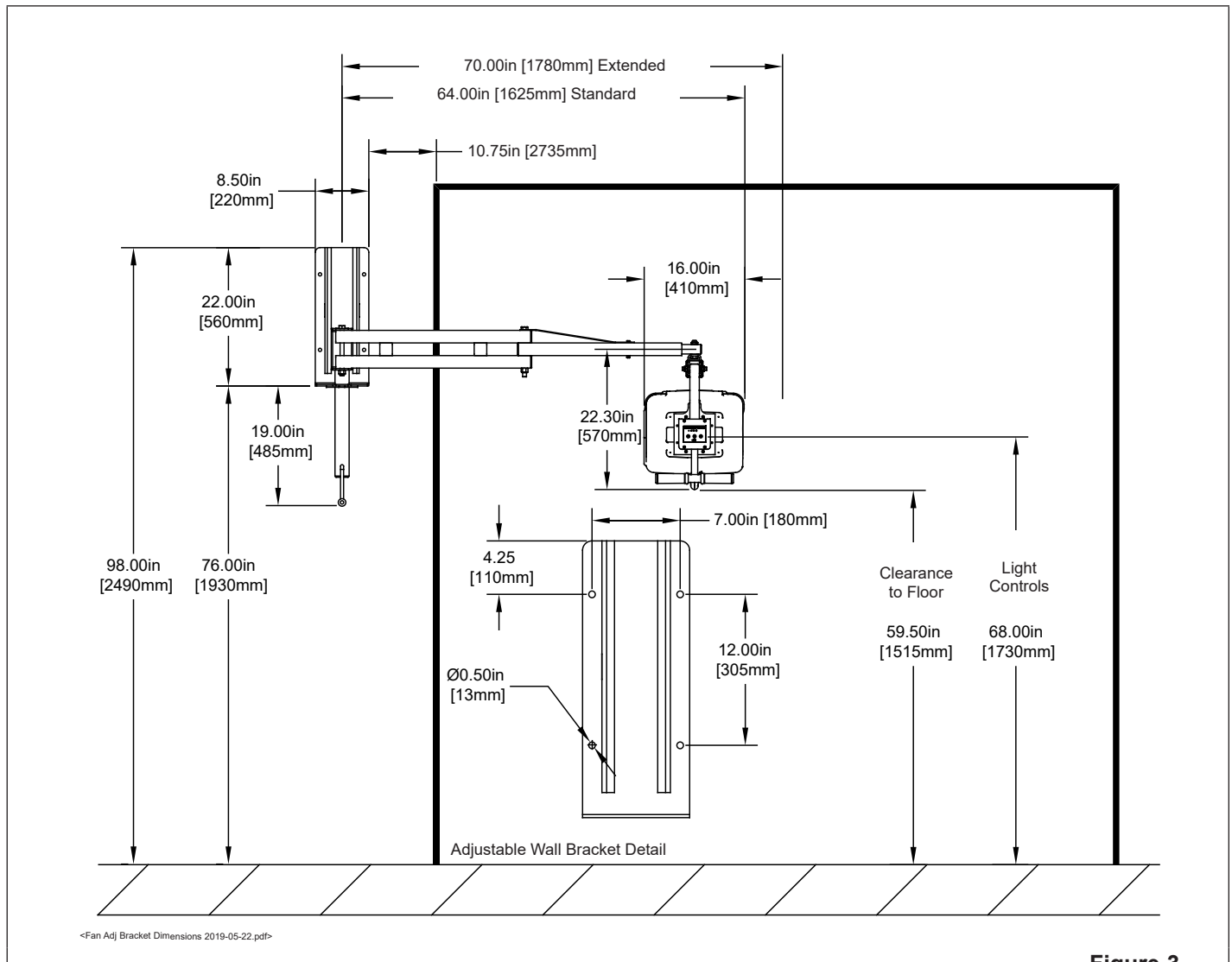


Figure 3

The fan is shown in the lowest position and can be adjusted upward 12in [305mm].

The recommended adjustable wall bracket location will position the fan in the same location as the standard wall bracket when the fan is half way up.

Adjust the mounting location to accommodate employees, wall obstructions, or different trailer heights.

INSTALLATION

Wall Bracket/Support Arm

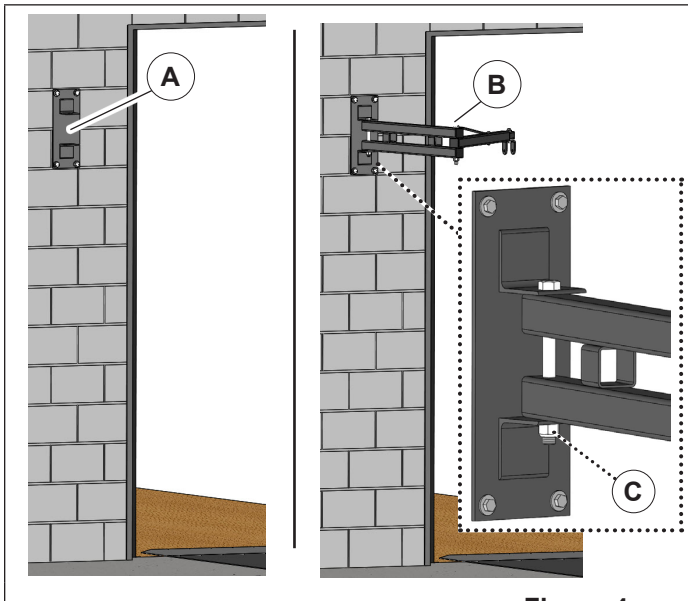


Figure 4

Use the wall bracket (A) to locate and mark the 4 anchor hole locations.

1. Drill 1 of the upper wall bracket holes.
2. Anchor the wall bracket to the wall using 1 of the 3/8in [10mm] x 3in [75mm] wall anchors (supplied by others).
3. Use a bubble level to plumb the wall bracket. Use the holes as a template to install the remaining anchors.
4. Attach the support arm assembly (B) to the wall bracket using one 5/8in x 7 1/2in bolt with nylon locknut (C).
5. Tighten the wall bracket nut secure enough to cause some friction in the support arm assembly movement.

Fan Mounting Bracket

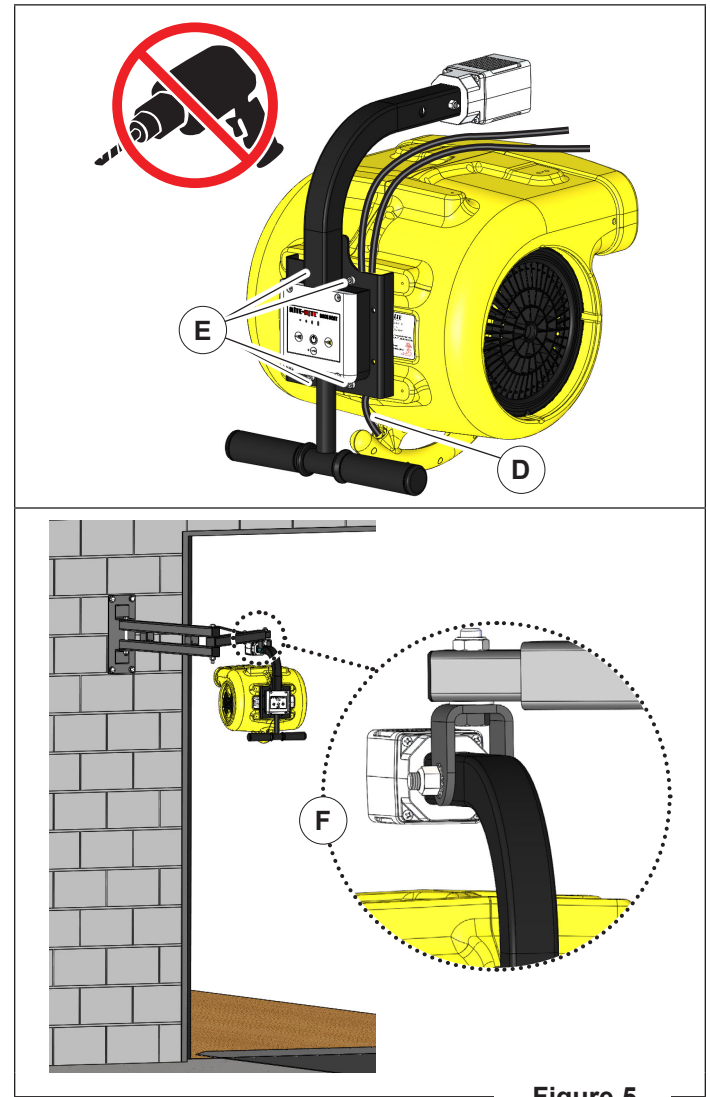


Figure 5

1. Position the power cord (D) between the fan and mounting bracket.
2. Attach the mounting bracket to the fan by hand starting and tightening 4 M6x40 socket head cap screws (E).
3. Install the fan with mounting bracket to the swivel clevis (F) using (1) 1/2in x 3in bolt, 2 external tooth lock washers, and (1) 1/2in nylon lock nut.
4. Tighten the hardware at the wall bracket, at the double support arm, and at the swivel clevis to achieve the desired positioning resistance.

INSTALLATION

Secure Power Cords

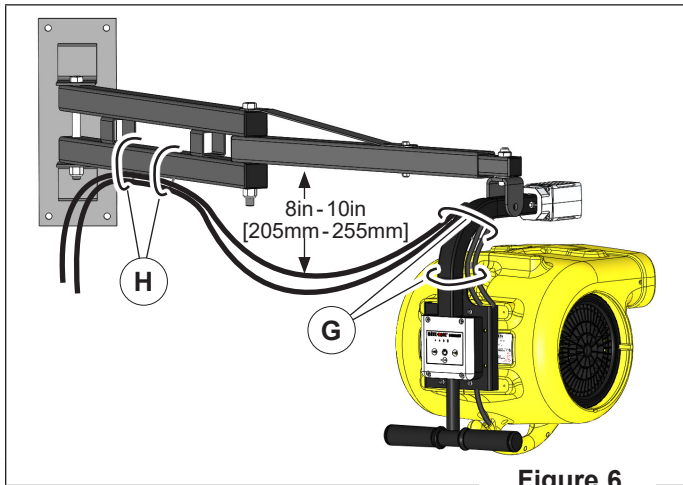


Figure 6

1. Secure the power cord(s) above and below the curved area of the fan mounting bracket with 2 tie bands (G).
2. Move the support arm to a straight position with the fan perpendicular to the steel tubes.
3. Secure the power cord(s) to the bottom of the double support tube with 2 tie bands (H). Locate the tie bands in the center area between the two spacer tubes.
4. Plug the cord into a nearby outlet.
5. Use the remaining tie bands to coil and secure any extra cord.

OPERATION

! WARNING / AVERTISSEMENT

Do not operate the fan near flammable liquids or gases as sparks from motor may ignite fumes.

Ne faites pas fonctionner le ventilateur à proximité de liquides ou de gaz inflammables. Les étincelles provenant du moteur peuvent enflammer les vapeurs.

NOTICE

Only operate fans at rated voltage and frequency. See [page 4](#).

Keep cord away from heat, oil, and sharp edges.

If fan is impacted, disconnect from power source and inspect for damage. Loose parts can impede fan blades and cause motor to overheat and fail.

All switches need to be in the off position before connecting the power source.

Fan Controls

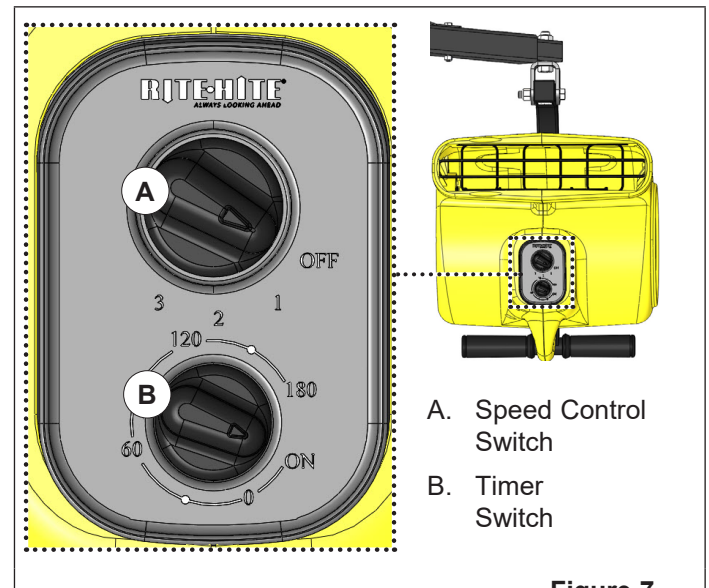


Figure 7

The CoolMan 2800 fan is controlled with switches on the front of the fan.

For normal operation:

- Rotate the timer switch (B) to ON.
- Rotate the speed control switch (A) to the desired setting.

For auto-off operation:

- Rotate the timer switch (B) to desired time (1 to 180 min.).
- Rotate the speed control switch (A) to the desired setting.

The fan will not operate when:

- The timer switch is in the 0 position
- The speed control switch is in the OFF position

Performance levels:

Switch Position	115V 60 Hz			230V 50 Hz		
	RPM	CFM	m3/min	RPM	CFM	m3/min
1	1200	2000	57	1020	1900	54
2	1450	2600	74	1225	2200	62
3	1600	2800	80	1350	2400	68

OPERATION

Light Controls

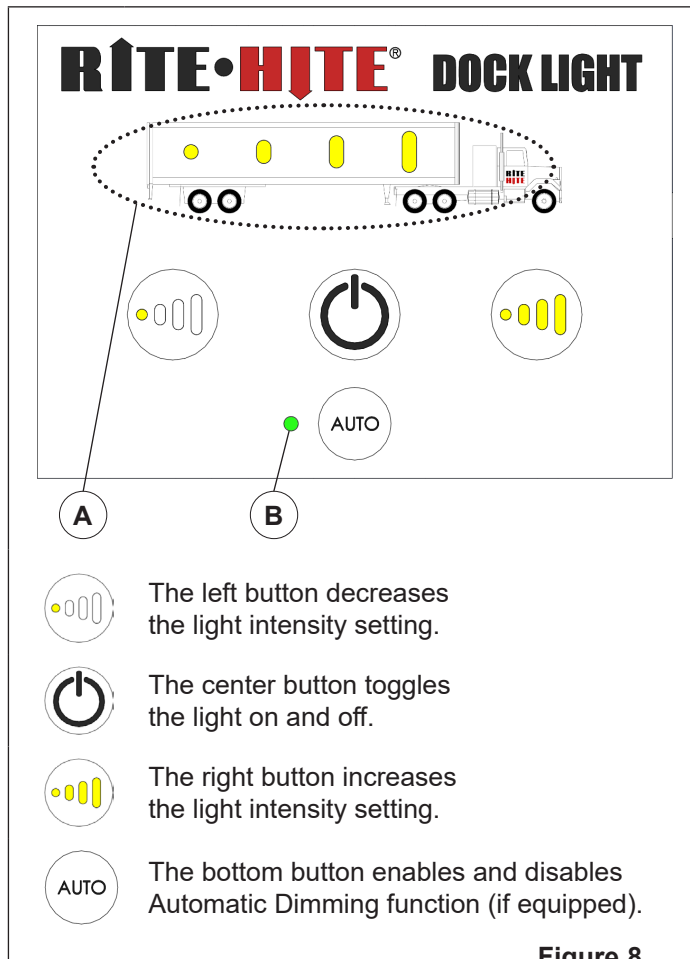


Figure 8

The LED light allows the user to control the intensity and function of the light from the user interface.

LEDs (A) provide a visual indication of light intensity. Intensity adjusts from 50% to 100%. See “Light Settings” chart below.

The green LED (B) left of the AUTO button indicates the automatic dimming state:

OFF	<i>Automatic Dimming</i> is disabled or light is not equipped with <i>Automatic Dimming</i> Option. Light intensity will remain constant.
ON	<i>Automatic Dimming</i> is enabled.
BLINK	Power Save Mode To conserve power, the light intensity decreases after 30 minutes of inactivity, to provide minimum illumination for safety. When motion is detected, normal intensity resumes.

LIGHT SETTINGS	LUMEN OUTPUT				
Automatic Dimming Mode: Light output is automatically reduced when an operator is detected approaching the light source (exiting the trailer).					
Power Save Mode: After 30 minutes of inactivity light intensity reduces to provide minimum illumination for safety while conserving power. Normal operation resumes when an operator is detected.					
	200	400	600	800	1000

OPERATION

Light Controls *Continued*

Microwave Sensor

The LED light uses a microwave sensor inside the light head to detect approaching fork truck and pedestrian traffic. When approaching traffic is detected, the light intensity is automatically dimmed to avoid blinding the operator as they exit the trailer.

Microwave Sensitivity and Trailer Types:

The performance of the microwave sensor is affected by the reflectivity of the trailer.

In a trailer with non-reflective plywood walls, some of the microwave signal reflects off the operator in the trailer, and is detected by the sensor. "Stray" microwaves are absorbed by the walls of the trailer.

In a trailer with reflective and/or metallic walls (common in refrigerated trailers), the signal may reflect randomly off the trailer walls, sending a false signal to the sensor when an operator is not approaching the sensor.

There is a sensitivity adjustment on the microwave sensor to adjust for different trailer types.

Turning the sensitivity down (dial counter clockwise):

- Reduces false detection in reflective trailers.
- Reduces pedestrian sensing distance in non-reflective trailers. Pedestrians must approach closer before the light dims.
- Has little effect on fork truck detection.

Sensitivity Adjustment

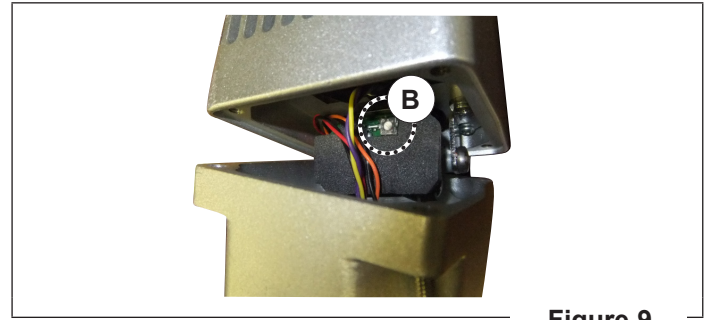
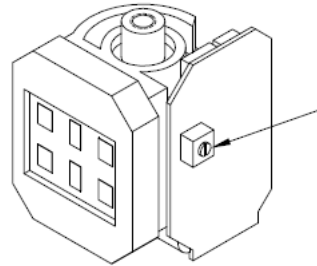


Figure 9

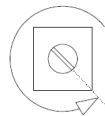
1. Use a 3/32in hex Allen tool to remove the four screws on the back of the light head. This may be done while the light is mounted on the wall.
2. Open the light head, being careful to support the small wires inside the housing. Use a 1/16in [2.5mm] flat blade screw driver to turn the white sensitivity potentiometer (B) on the sensor.
 - a. Turn clockwise to increase sensitivity Greater pedestrian sensing distance.
 - b. Turn counterclockwise to decrease sensitivity Fewer false trips in reflective trailers.
3. Reattach the light housing. Do not pinch the wires.

Restore Factory Settings

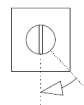
1. Locate sensitivity adjustment Potentiometer (pot) (B).



2. Turn pot fully counter clockwise.



3. Turn pot clockwise 45° (1/8 of a turn).



OPERATION

Positioning

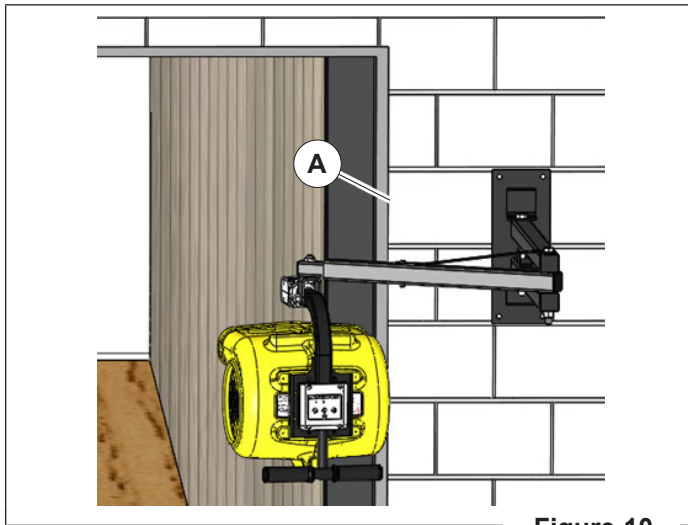


Figure 10

Light

The LED light must be placed so the sensor does not face the metal edge (A) of the trailer where the doors hinge. If the light is visibly reflecting off this steel surface, the microwaves are also reflecting off the surface, which can send a false signal to the sensor.

NOTE: If a trailer is off center on the dock opening, confirm that the LED light can reach around the edge of the trailer.

Fan

1. Position the fan according to the needs of the user.
2. For personal cooling, point the fan directly at the user.
3. For full length trailer ventilation, point the fan to blow air along the nearest trailer wall and at the upper corner at the front of the trailer. Avoid blowing the fan at tall obstructions.

MAINTENANCE

! WARNING / AVERTISSEMENT

Disconnect power before cleaning or servicing.

Débranchez l'alimentation avant de procéder au nettoyage ou à l'entretien.

Motor bearing has pre-lubricated ball bearings. Re-lubrication is not required.

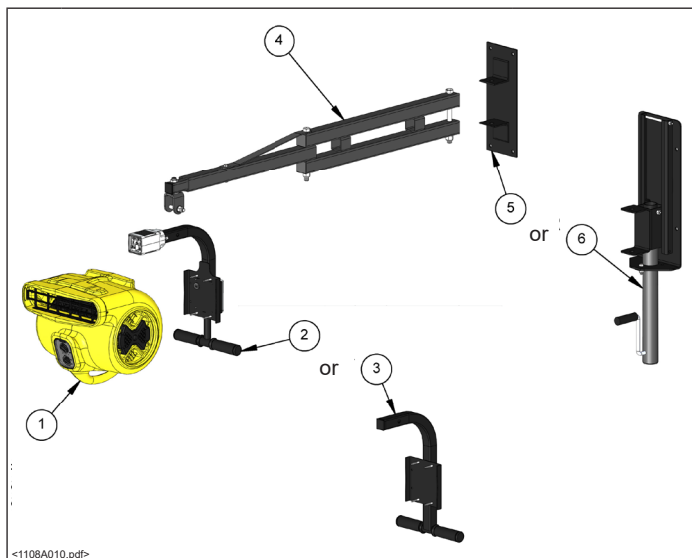
Before each use:

Inspect for damage. Repair or replace as needed.

As needed:

- Adjust linkage hardware to achieve desired friction.
- Clean front grill and fan impeller by vacuuming or wiping. Excessive dust may cause motor to overheat.

PARTS

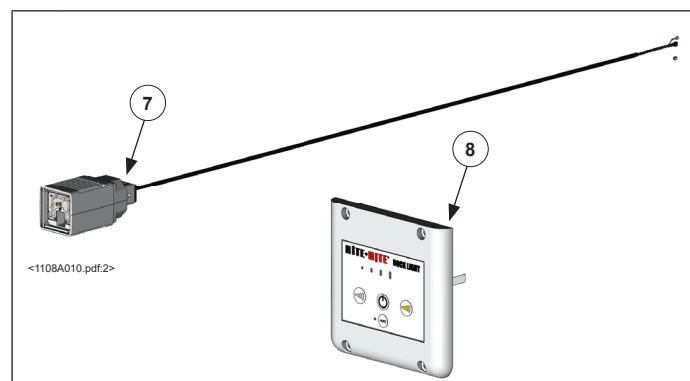
CoolMan® 2800 Trailer Fan
with Rite-Lite™ LED Dock Light

<1108A010.pdf>

#	DESCRIPTION	PART #
	COMPLETE ASSEMBLY (CONFIGURABLE)	COOLMAN2800
1	FAN,CNTFGL,PP,1/2HP,[XXX]V	
	FAN,CNTFGL,PP,1/2HP,115V	55150368
	FAN,CNTFGL,PP,1/2HP,230V	55150369
2	LIGHT,DOCK,LED COOLMAN,[CE,UL],[MST]	
	LIGHT,DOCK,LED COOLMAN,UL,MST	54270063
	LIGHT,DOCK,LED COOLMAN,UL	54270064
	LIGHT,DOCK,LED COOLMAN,CE,MST	54270065
	LIGHT,DOCK,LED COOLMAN.CE	54270066
3	BRKT,MOUNTING,FAN,2800	55290013
4	SPRT,ARM ASSY,TRAILER FAN	72600059
5	BRKT,WLDMNT,WALL,STNRY, COOLMAN	14500857
6	BRKT,WALL MNT,ADUSTABLE,2800	14500046
7*	CVR,GRILL,INLET,CLMN 2800	17900343
8*	CVR,GRILL,OUTLET,CLMN 2800	17900342
9*	WHEEL,BLWR,CLMN 2800	75550023
10*	KNOB,PWR,CLMN 2800	53800018
11*	KNOB,TIMER,CLMN 2800	53800017

*Not Shown

LED Light and Controls



<1108A010.pdf.2>

#	DESCRIPTION	PART #
7	LIGHT,LED,HEAD ASSY,CLM	54270069
	LIGHT,LED,HEAD ASSY,CLM,MST	54270070
8	CTRLR,ASSY, DOCKLIGHT,PCB&SWITCH	17500024

Rite-Hite Company, LLC and its affiliates (collectively "Rite-Hite") warrant that the Product sold to the Owner will be free of defects in design, materials and workmanship (ordinary wear and tear excepted) for the periods set forth below ("Limited Warranty").

Five (5) Year(s) on all Light mechanical parts (non-prorated).
 One (1) Year(s) on all Fan mechanical and electrical parts (non-prorated).
 One (1) Year(s) labor, based on Rite-Hite approved travel and labor repair times.

REMEDIES

Parts: Rite-Hite's obligations under this Limited Warranty are limited to repairing or replacing, at Rite-Hite's option, any part which is determined by Rite-Hite to be defective during the applicable warranty period. Such repair or replacement shall be Rite-Hite's sole obligation and the Owner's exclusive remedy under this Limited Warranty.

Labor: Rite-Hite will provide warranty service without charge for labor per the specified warranty period. Thereafter, a charge will apply to any repair or replacement under this Limited Warranty.

CLAIMS Claims under this Limited Warranty must be made (i) within 30 (thirty) days after discovery and (ii) prior to expiration of the applicable warranty period. Warranty period commences on the date of shipment. Claims shall be made in writing or by contacting the representative from whom the Product was purchased directly. Owner must allow Rite-Hite or its agent, a reasonable opportunity to inspect any Product claimed to be defective and shall, at Rite-Hite's option, either (x) grant Rite-Hite or its agent access to Owner's premises for the purpose of repairing or replacing the Product or (y) return of the Product to the Rite-Hite, F.O.B. Rite-Hite's factory.

NOT WARRANTED Rite-Hite does not warrant against and is not responsible for wear items such as fuses, batteries, bulbs, vision and seals. No implied warranty shall be deemed to cover damages that result directly or indirectly from: (i) the unauthorized modification or repair of the Product, (ii) damage due to misuse, neglect, accident, failure to provide necessary maintenance, or normal wear and tear of the Product, (iii) failure to follow Rite-Hite's instructions for installation, failure to operate the Product within the Product's rated capacities and/or specified design parameters, or failure to properly maintain the Product, (iv) use of the Product in a manner that is inconsistent with Rite-Hite's guidelines or local building codes, (v) movement, settling, distortion, or collapse of the ground, or of improvements to which the Products are affixed, (vi) fire, flood, earthquake, elements of nature or acts of God, riots, civil disorder, war, or any other cause beyond the reasonable control of Rite-Hite, (vii) improper handling, storage, abuse, or neglect of the Product by Owner or by any third party.

DISCLAIMERS THIS LIMITED WARRANTY IS EXCLUSIVE AND IN LIEU OF ALL OTHER REPRESENTATIONS AND WARRANTIES, EXPRESS OR IMPLIED, AND RITE-HITE EXPRESSLY DISCLAIMS AND EXCLUDES ANY IMPLIED WARRANTIES OF MERCHANTABILITY OR FITNESS FOR PURPOSE. RITE-HITE SHALL NOT BE SUBJECT TO ANY OTHER OBLIGATIONS OR LIABILITIES, WHETHER ARISING OUT OF BREACH OF CONTRACT, WARRANTY, TORT (INCLUDING NEGLIGENCE AND STRICT LIABILITY) OR OTHER THEORIES OF LAW, WITH RESPECT TO THE PRODUCTS SOLD OR SERVICES RENDERED BY RITE-HITE, OR ANY UNDERTAKINGS, ACTS, OR OMISSIONS RELATING THERETO.

LIMITATION OF LIABILITY IN NO EVENT SHALL RITE-HITE BE RESPONSIBLE FOR, OR LIABLE TO ANYONE FOR, SPECIAL, INDIRECT, COLLATERAL, PUNITIVE, INCIDENTAL, OR CONSEQUENTIAL DAMAGES, EVEN IF RITE-HITE HAS BEEN ADVISED OF THE POSSIBILITY OF SUCH DAMAGES. Such excluded damages include, but are not limited to, personal injury, damage to property, loss of goodwill, loss of profits, loss of use, cost of cover with any substitute product, interruption of business, or other similar indirect financial loss.

170714

GLOBAL SALES AND SERVICE *Representatives in All Major Cities***RITE-HITE WORLD HEADQUARTERS**

8900 N. Arbon Drive
 P.O. Box 245020
 Milwaukee, Wisconsin 53224

☎ **414-355-2600**
 U.S. Only: **1-800-456-0600**

RITE-HITE CHINA

First Floor, Building #3,
 558 Tongxie Road,
 Changning District
 Shanghai 200335, China

☎ **+86-21-6237-6333**

RITE-HITE LATIN AMERICA

Alameda Lorena 800, conj. 1310
 - Jardim Paulista
 São Paulo-SP, CEP 10424-001
 - Brazil

☎ **+55-11-3527-9590**

RITE-HITE GMBH

Carl-Zeiss-Strasse 3
 34471 Volkmarsen, Germany

☎ **+49-5693 98700**