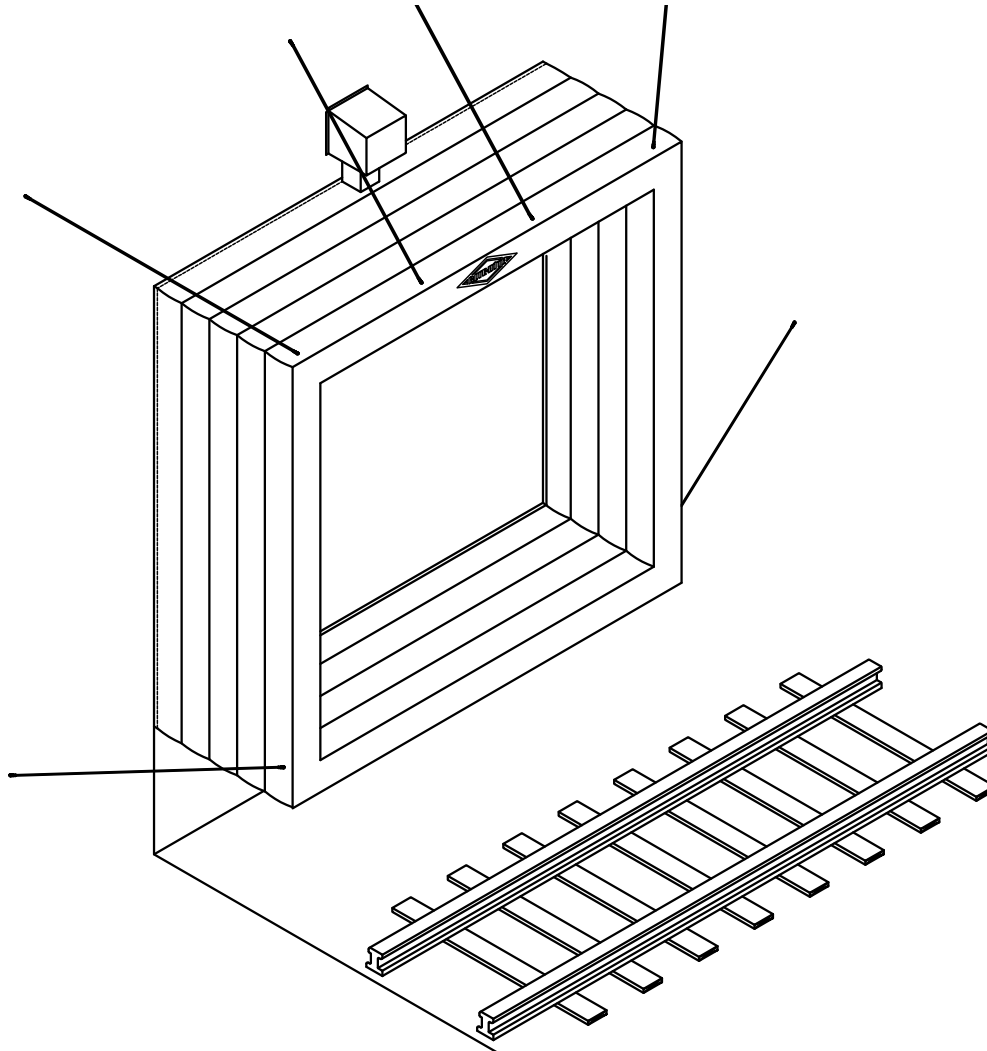


---

**RITE-HITE®**

**RAIL-DOX™ RDA-804**

**4 SIDED INFLATABLE RAIL SHELTER  
Installation Instructions & Owner's Manual**



Date of Installation:

---



**This Manual Covers All Units Shipped 2/08 to Date**

## Table of Contents

General Precautions .....	2
Introduction .....	2
Preparation .....	2
Care & Maintenance .....	2
Installation Instructions .....	3-4
Electrical .....	5
Warranty .....	8

## File Information

Document Name:	INFL0003
Date Last Revised:	11/12/2014
Revision Letter:	1

## General Precautions

---

 **WARNING**

**Post safety warning and barricade work area, at dock level and ground level to prevent unauthorized use of the dock position while service work is being performed.**

## Introduction

Thank you for purchasing a Rite-Hite® Rail-Dox™ Inflatable Shelter. For other products, please contact your local Rite-Hite Sales Representative.

The following installation instructions are complete for all standard applications of the RDA-804 Inflatable Shelter. These instructions assume that the installer is outside the building facing the loading dock position.

Any application of the RDA-804 Shelter that is outside of the normal application guidelines should be referred to Rite-Hite Order Engineering for installation instructions.

## Preparation

Remove all of the contents from the containers and check for damage. If any of the contents show signs of damage, contact Rite-Hite Corporation or your local sales representative.

## Care & Maintenance

Inflate the shelter ONLY when the rail car is in place and deflate and store before rail car leaves. Keep air intake on blower clean and clear. Wash material with a mild soap and water.

## Instructions For Optimal Components

Contact Rite-Hite Order Engineering for installation instructions for Optimal Components.

# INSTALLATION INSTRUCTIONS

## Instructions

### Model™ RDA-804

#### Wood Backer Installation

1. **Mark mounting location for side and bottom boards.**

Measure the dock door opening. Divide this measurement in half and mark the centerline of the opening at dock level.

From this point, measure out half of the unit width and mark the wall at this location. Do this on both sides of the door opening. The outside edges of each side backer board will line up with these marks.

To determine the bottom board location, mark off the distance to the top of the 2 X 12 from dock height as noted on the Specification sheet supplied by the salesperson.

Or, you can mark the 'unit height off rail' on the building wall and subtract the 'unit height' to find the bottom of the bottom board location.

2. **Fasten backer boards to building wall.**

With the location of the bottom board known, attach the bottom board to the building wall.

Place the side boards flush and plumb on top of the outside edge of the bottom board and attach to building wall.

Place the head board on top of the side boards flush on each end and attach to building wall.

Double check all dimensions of the frame on the wall and compare those dimensions to the Specification sheet supplied by the sales person.

If the dimensions do not equal, please contact Rite-Hite Customer Service.

See "Fastening Methods" section of installation instructions for the recommended fastener type for various building wall types.

#### Cover Attachment

1. **Fasten cover to frame members.**

Slip cover over frame and align the top corner of the cover to the top corner of the frame. Temporarily secure the cover to the outside edge of the frame with the supplied roofing nails.

Pull the cover across the width of the unit and align the other corner of the cover with the corner of the frame and attach the cover to the frame with the supplied roofing nails.

Repeat this process on all the corners (inside corners as well) until the cover is squared on the frame.

Attach the rest of the cover to the backer boards with the supplied roofing nails.

Space nails approximately 36" apart to hold in position until the Poly nailing strips are secured.

Secure the cover to the frame with the supplied Poly nailing strips.

Attach nailing strips over the cover to the backer board with the supplied roofing nails.

Space nails approximately 8" to 10" apart.

#### Blower and Hood Attachment

1. **Attach blower to building wall.**

Attach the blower to building wall in the location shown on the Specification sheet supplied by the salesperson.

Install the motor in the position shown at a distance that will allow the air transfer tube to be attached to the blower so that air transfer tube will open fully during operation and will not restrict air flow.

Attach the motor to the building wall per the "Fastening Methods" section.

Place the metal hood over the blower (external motor installation) and attach to the building wall in the same fashion as done with the Blower.

**NOTE:** The blower and hood position must comply with local Rail Ordinances and blower must be positioned under the hood to allow greatest amount of air flow to intake of blower. Attach Fabric sleeve from air unit to blower with the supplied shock cord strap.

**NOTE:** Controls not supplied for 2 Blower systems or voltage over 115 volts.

## FASTENING METHODS

### Shock Cord Attachment

1. There are typically 4 Shock Cords located along the top outside of the cover. Attach the 2 at the center at an approximate 45 degree angle up from the top of the unit.

The top outside shock cords are installed at an approximate 45 degree angle up an out at a 45 degree angle.

The bottom cords are installed at an approximate 45 degree angle out from the unit.

To determine the exact location you will need to inflate the unit.

Once inflated, locate the top center shock cords as far up as the cords will allow with out stretching the cords.

Attach to the wall at this point.

The same methods is to be used for the top outside and bottom outside shock cords.

Attach Shock Cords to the building wall with the supplied #4 screw eye's and lag shield or equivalent.

### Fastening Methods

#### Concrete Block or Brick Wall

Through bolt fastening is required. Bore a hole through the building wall. Use a 3/8" diameter threaded rod with a washer, nut, and jam nut on each end - it will be necessary to install a back-up plate inside the building wall when the wall will not support the bolt.

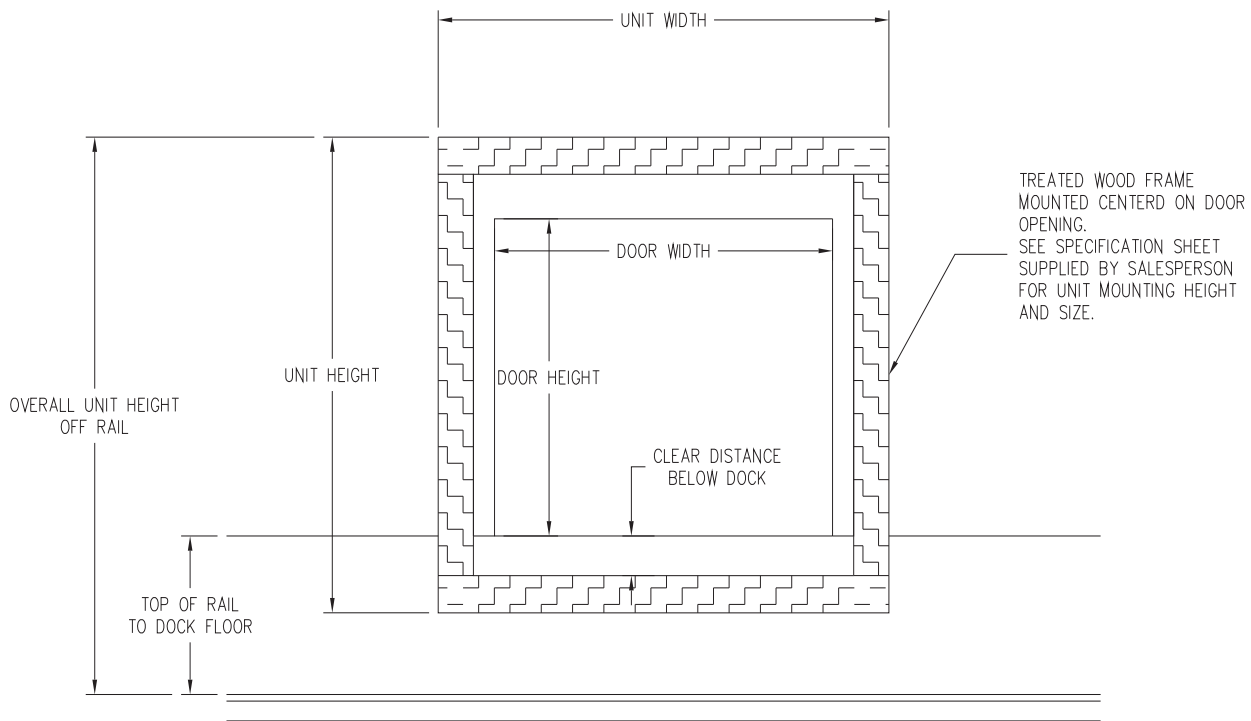
#### Concrete Tilt-Up Walls (Precast)

Use 3/8" lag bolts with expansion shields, 3/8" one piece anchor bolts with expansion collar, or equivalent fastener. If building wall is too thin to effectively hold the lag bolt or anchor bolt, the through bolt method of attachment is required.

\* See anchor manufacturer's recommendation for minimum anchor embedment to determine appropriate anchor length.

#### Metal Sided Building

Through bolt method of attachment is required for this building style. It will be necessary to install a back-up plate that is fastened directly to structural members when it is not possible to fasten directly to structural building members.





## NOTES

**NOTES**

## WARRANTY POLICY

Rite-Hite warrants that a **RDA-804 Inflatable Rail Dock Shelter** will be free of defects in design, materials and workmanship for a period of 365 days from the date of shipment. All claims for breach of this

warranty must be made within 30 days after the defect is or can, with reasonable care, be detected and in no event more than 395 days after shipment. In order to be entitled to the benefits of this warranty, the products must have been properly installed, maintained, operated within its rated capacity, and not otherwise abused.

**Rite-Hite expressly disclaims all implied warranties including the implied warranties of merchantability and fitness.**

In the event of any defects covered by this warranty, Rite-Hite will remedy such defects by repairing or replacing any defective parts, bearing only the cost of the parts and transportation of those parts. This shall be the exclusive remedy for all claims whether based on contracts, negligence, or strict liability.

**Rite-Hite shall not in any event be liable for any loss of use of any equipment or incidental or consequential damages of any kind.**

**“Our mission is to improve industrial safety, productivity and security worldwide through quality and innovation.”**



Rite-Hite Environmental Enclosures Corporation  
8900 North Arbon Drive  
P.O. Box 245020  
Milwaukee, WI 53224-9520