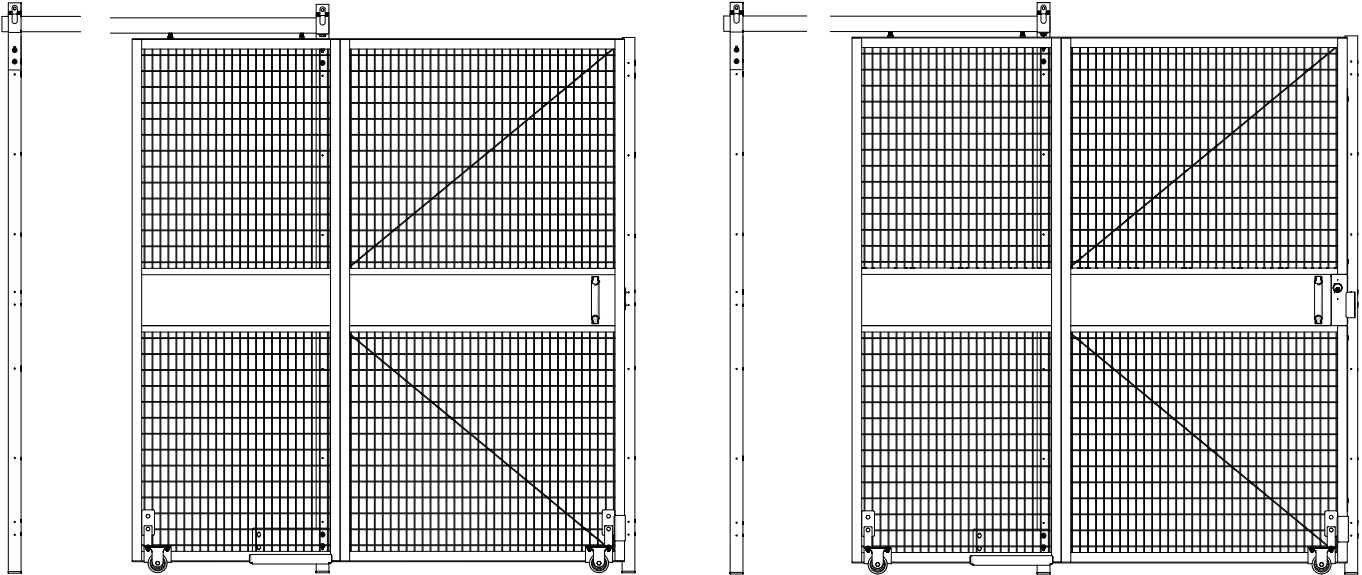
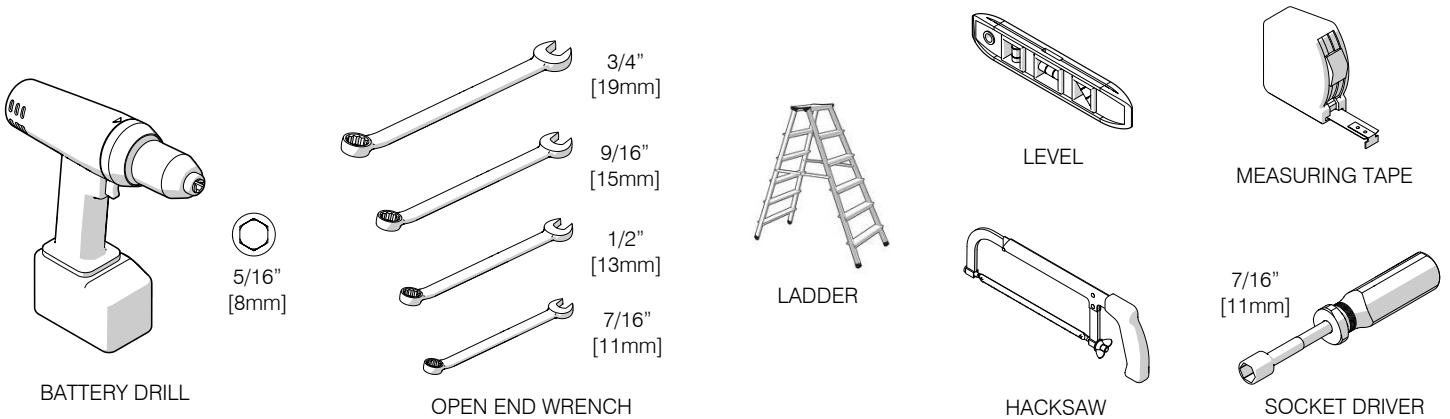


8900 North Arbon Drive
Milwaukee, WI 53223, USA
P: 800-553-5560, 414-355-2600
F: 563-589-2776
E: safetyinfo@ritehite.com

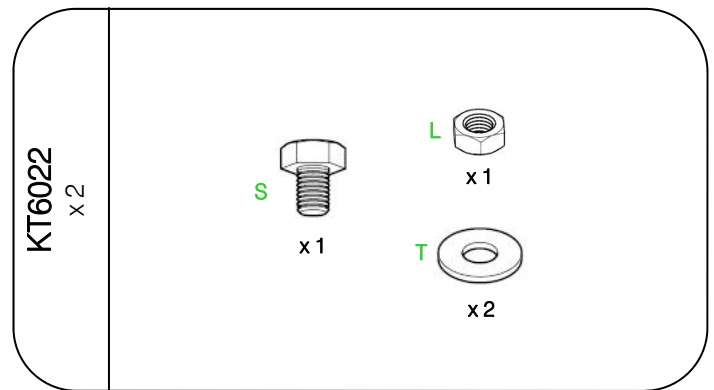
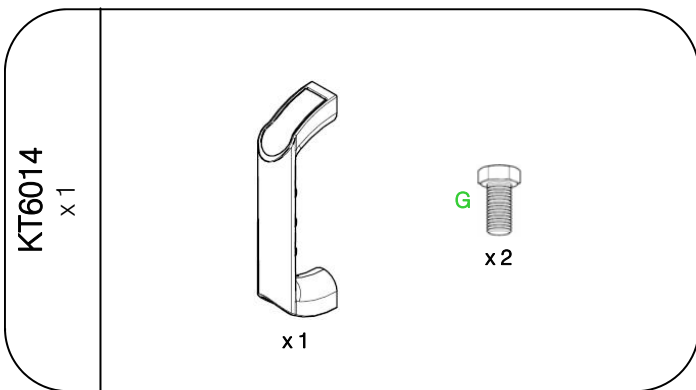
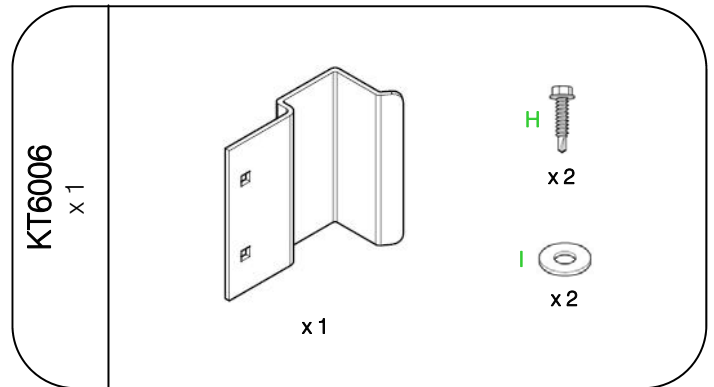
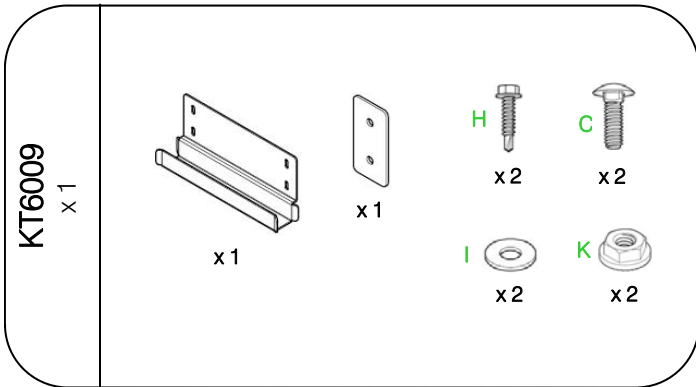
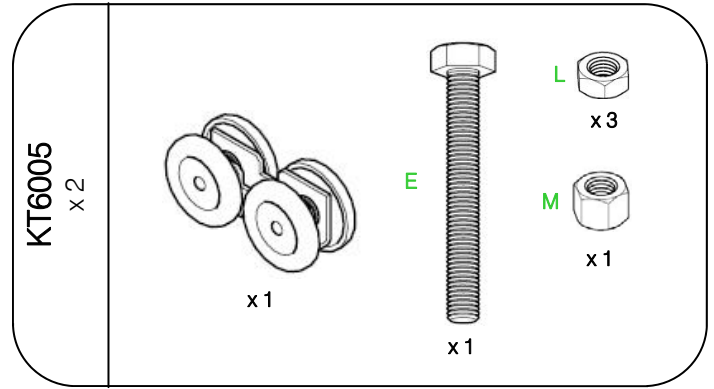
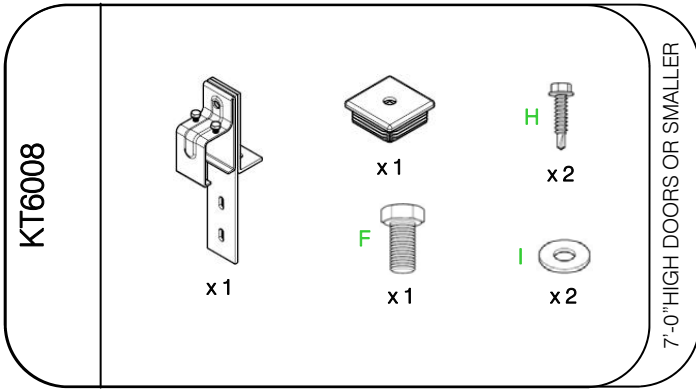


NOTE:
REFER TO INSTRUCTION SHEET RGI-103 TO INSTALL DOORS LARGER THEN 4'-0" WIDE (INCLUDED WITH KT6001)

TOOLS REQUIRED:



HARDWARE PROVIDED:



HARDWARE PROVIDED:

KT6003
x 1

x 1

x 1

H x 2

I x 2

J x 2

K x 2

D x 2

SNAP LOCK DOOR

KT6010
x 1

x 1

H x 1

I x 1

J x 4

K x 4

D x 4

CYLINDER LOCK DOOR

KT063
x 1

x 4

H x 4

TRANSOM KIT

KT6007

x 1

H x 2

I x 2

8'-0" HIGH DOORS OR TALLER

KT0220
x 1

x 4

C x 4

AG x 2

J x 6

K x 6

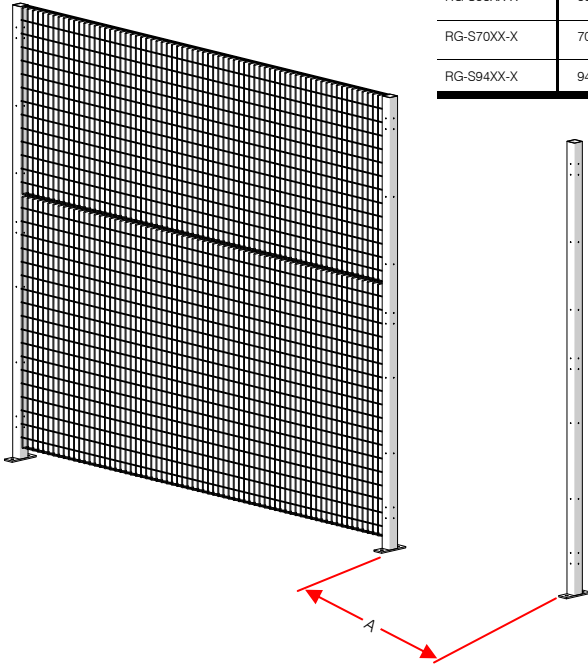
DOORS W/ 2" HIGH SWEEP SPACE

HARDWARE LIST:

- (B) 1/4"-20 x 2-1/2" SQUARE NECK CARRIAGE BOLT
- (C) 1/4"-20 x 1" SQUARE NECK CARRIAGE BOLT
- (D) 1/4"-20 x 1/2" SQUARE NECK CARRIAGE BOLT
- (E) 1/2"-13 x 4" HEX HEAD BOLT
- (F) 3/18"-16 x 1" HEX HEAD BOLT
- (G) M8-1.25 x 20 HEX HEAD BOLT
- (H) #12-14 x 1" HEX HEAD SELF-DRILLING SCREW
- (I) 1/4" FLAT WASHER
- (J) 1/4" LOCK WASHER
- (K) 1/4"-20 FLANGE NUT
- (L) 1/2"-13 HEX JAM NUT
- (M) 1/2"-13 NYLON LOCK NUT
- (S) 1/2"-13 x 1" HEX HEAD BOLT
- (T) 1/2" FLAT WASHER
- (AG) 1/4"-20 x 3/4" SQUARE NECK CARRIAGE BOLT
- (CD) 14-10 x 1" PHILLIPS TRUSS HEAD SHEET METAL SCREW

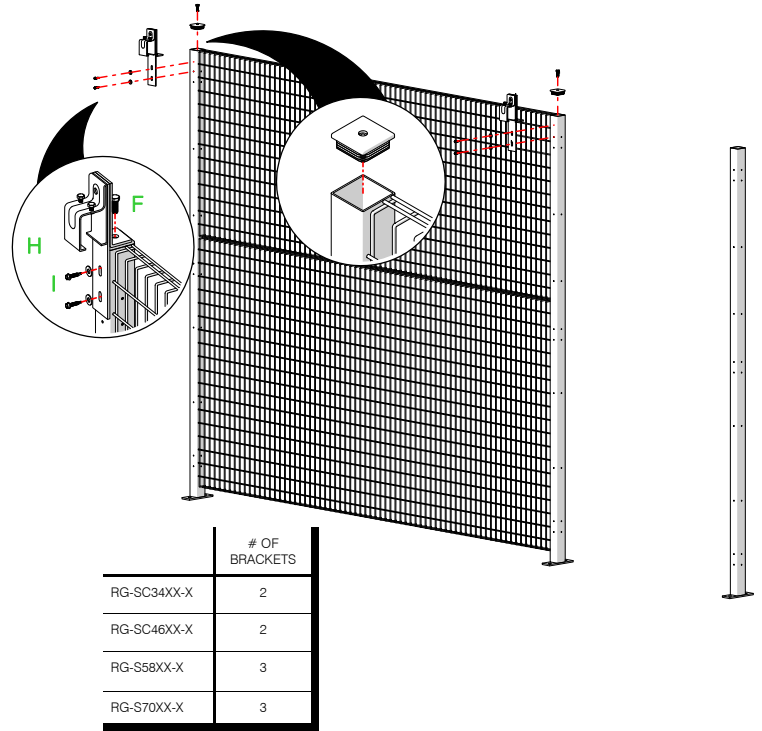
1

	A (OPENING)
RG-S34XX-X	34" [864mm]
RG-S46XX-X	46" [1168mm]
RG-S58XX-X	58" [1473mm]
RG-S70XX-X	70" [1168mm]
RG-S94XX-X	94" [1473mm]



2a

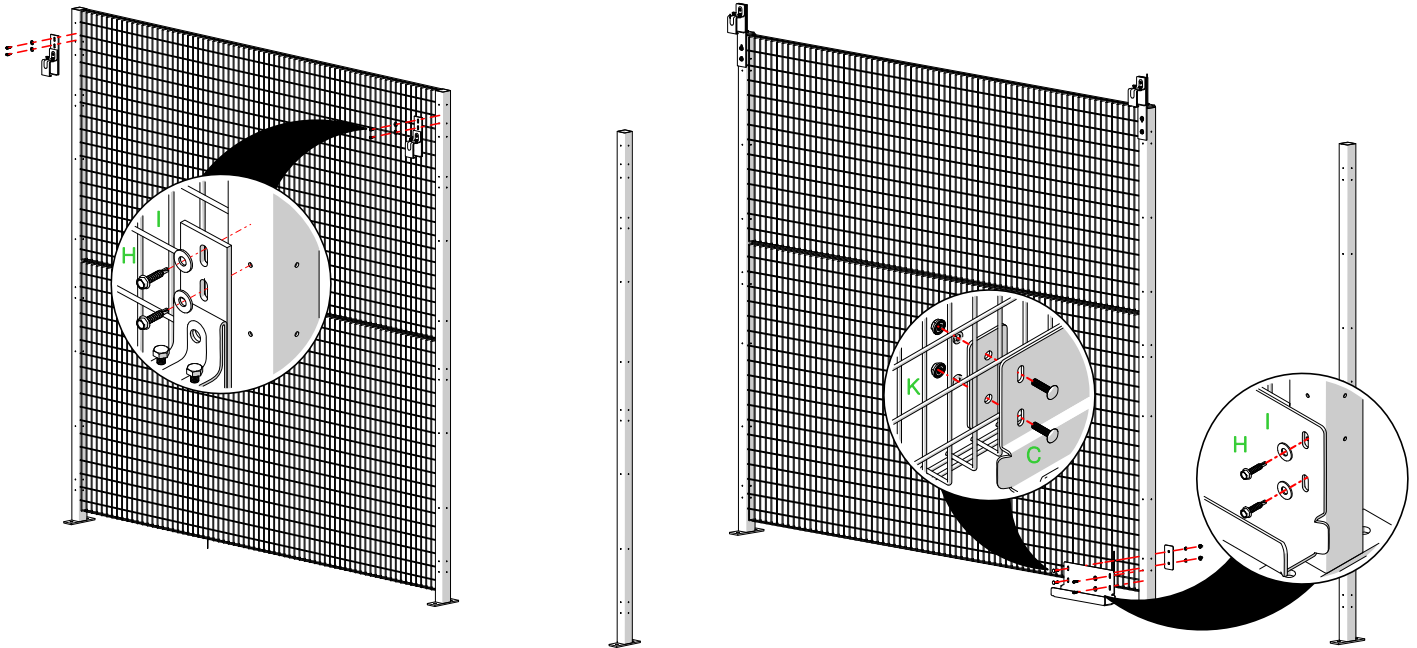
TRACK BRACKET INSTALLATION (7'-0" HIGH GUARDING OR SHORTER)



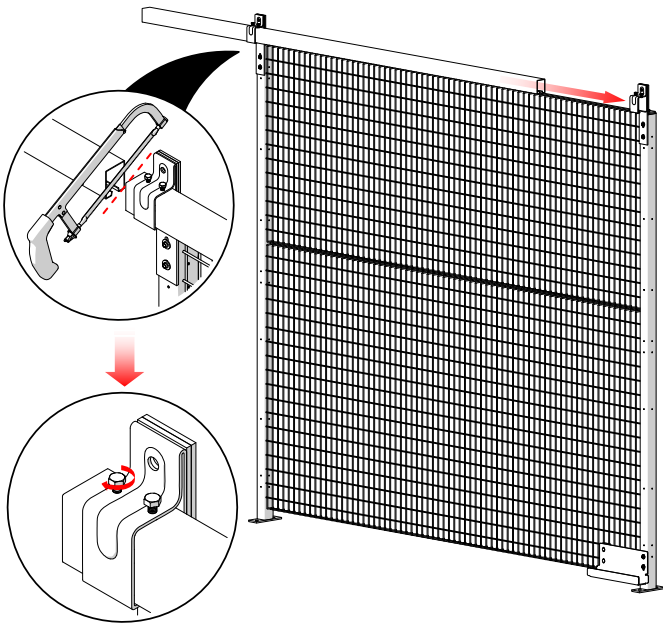
2b

TRACK BRACKET INSTALLATION (8'-0" HIGH GUARDING OR TALLER)

3

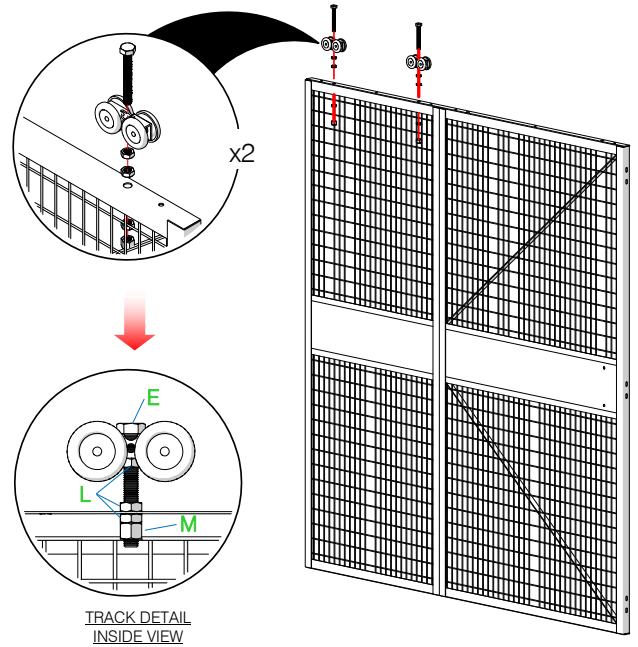


5

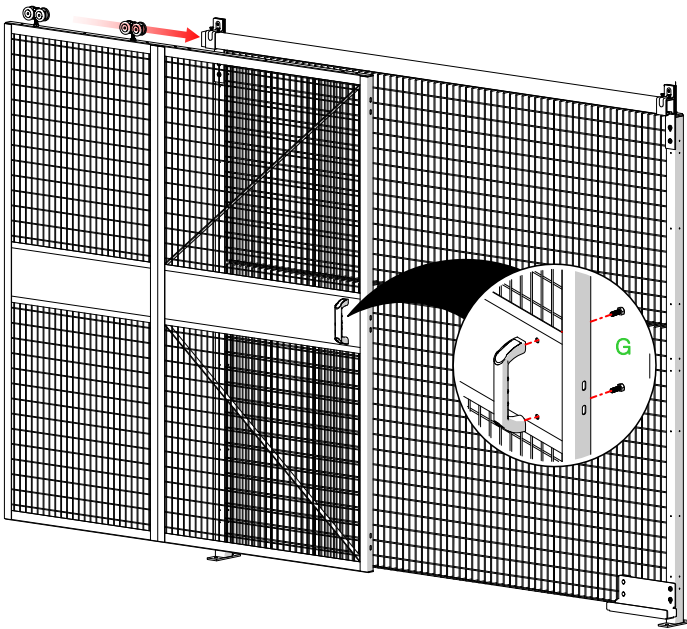


NOTE:
 REFER TO INSTRUCTION SHEET RGI-103 TO INSTALL DOORS
 LARGER THEN 4'-0" WIDE (INCLUDED WITH KT6001)

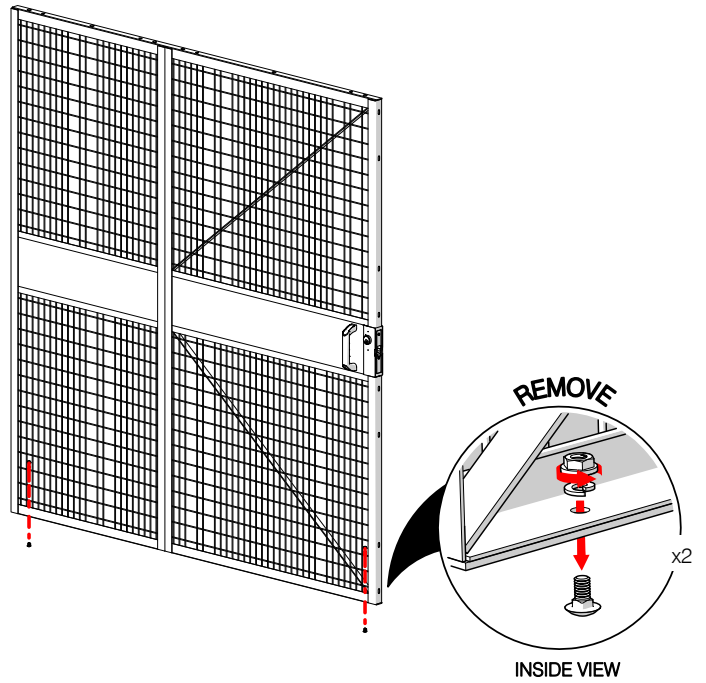
6



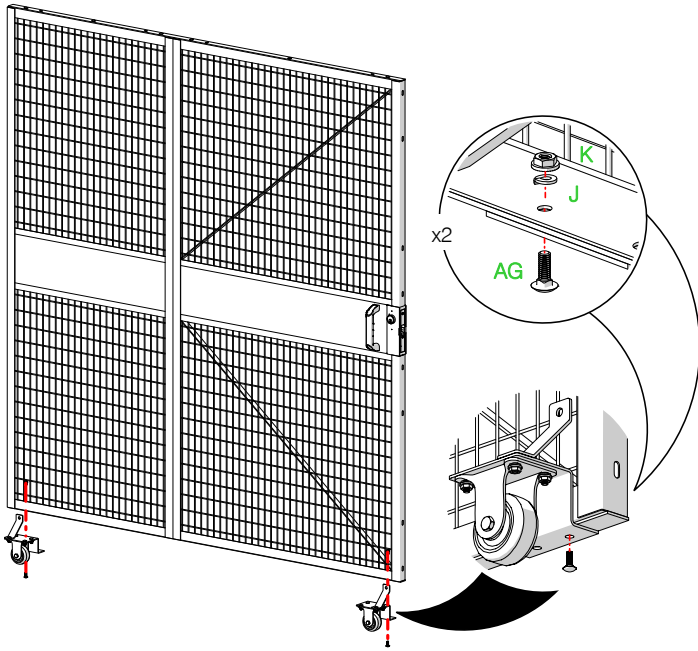
7



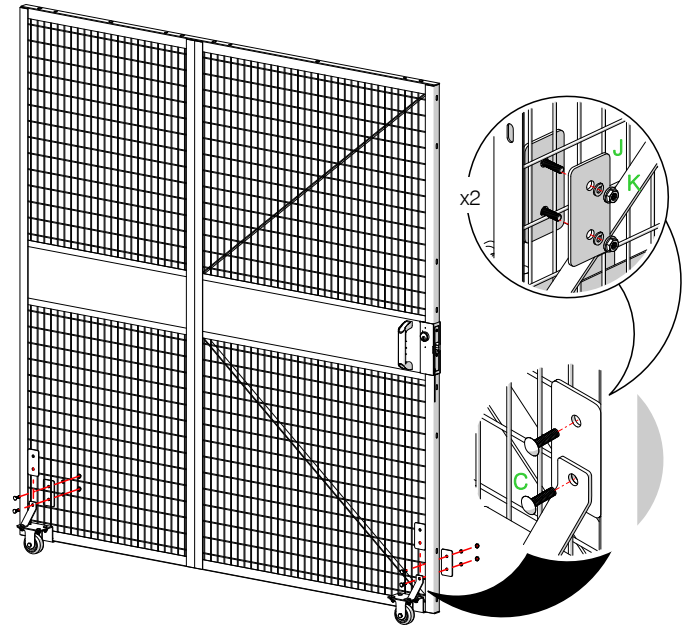
8



9

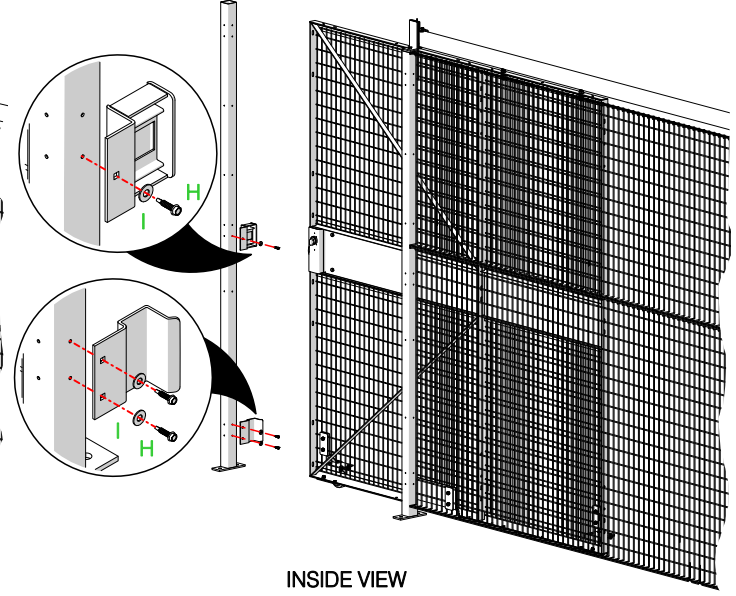
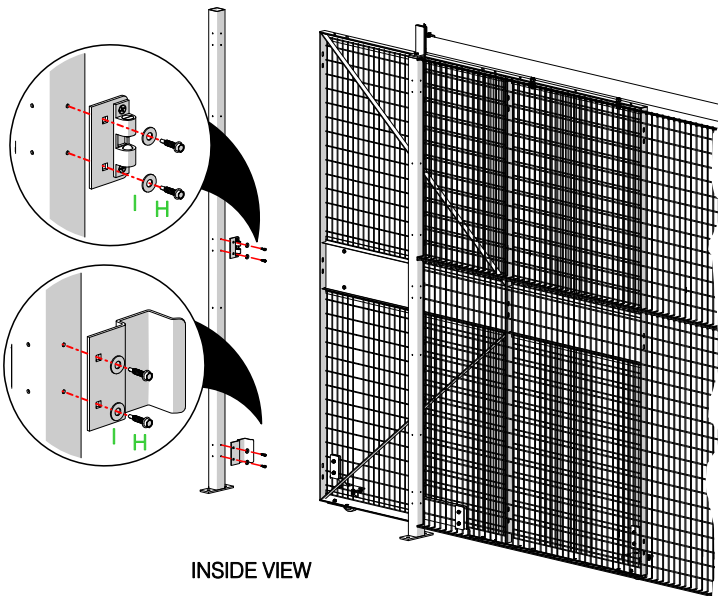


10

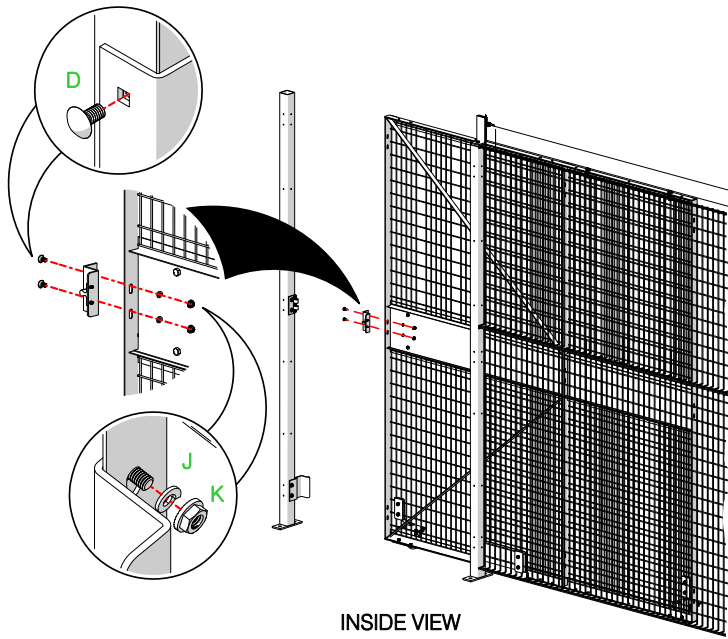


11a SNAP LOCK INSTALLATION

11b CYLINDER LOCK INSTALLATION

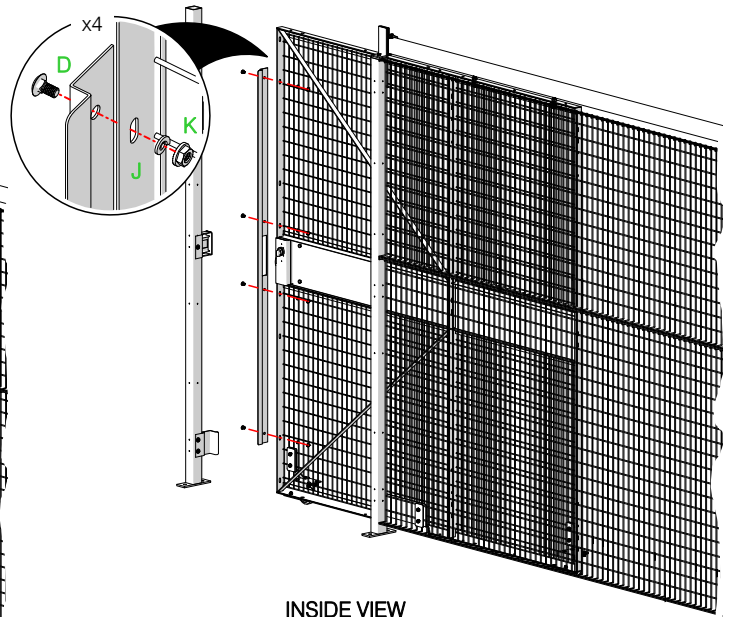


12a SNAP LOCK INSTALLATION



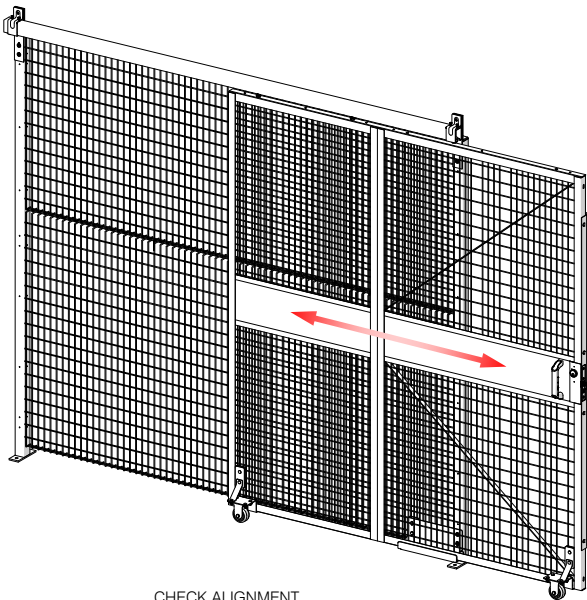
INSIDE VIEW

12b CYLINDER LOCK INSTALLATION



INSIDE VIEW

13



CHECK ALIGNMENT,
ADJUST DOOR AS NECESSARY

14

