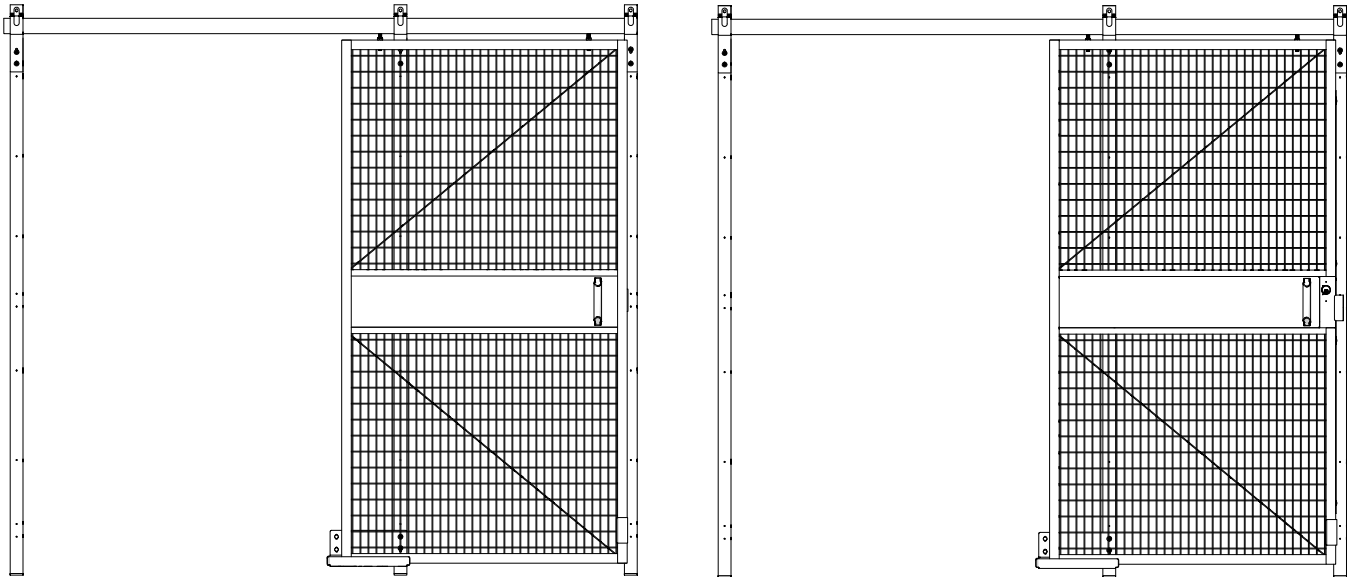
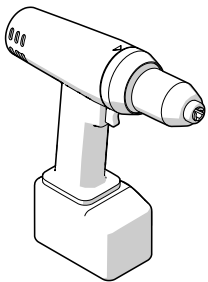


8900 North Arbon Drive
Milwaukee, WI 53223, USA
P: 800-553-5560, 414-355-2600
F: 563-589-2776
E: safetyinfo@ritehite.com



NOTE:
REFER TO INSTRUCTION SHEET RGI-103 TO INSTALL DOORS LARGER THEN 4'-0" WIDE (INCLUDED WITH KT6001)

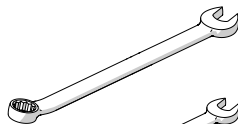
TOOLS REQUIRED:



BATTERY DRILL



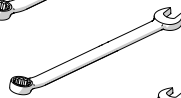
5/16"
[8mm]



3/4"
[19mm]



9/16"
[15mm]



1/2"
[13mm]

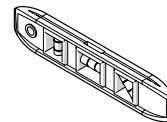


7/16"
[11mm]

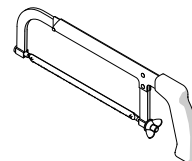
OPEN END WRENCH



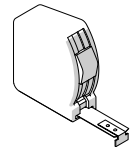
LADDER



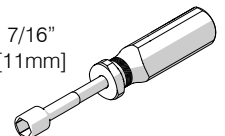
LEVEL



HACKSAW



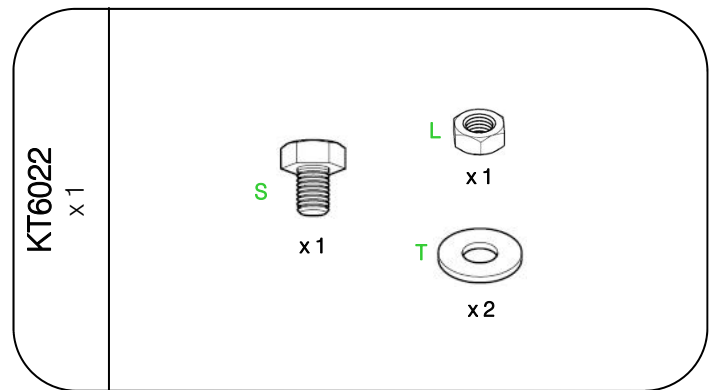
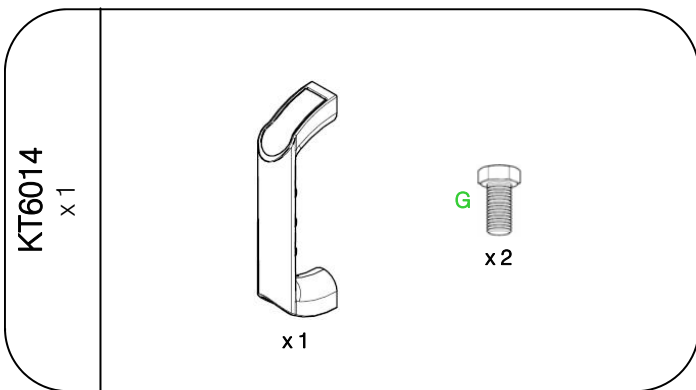
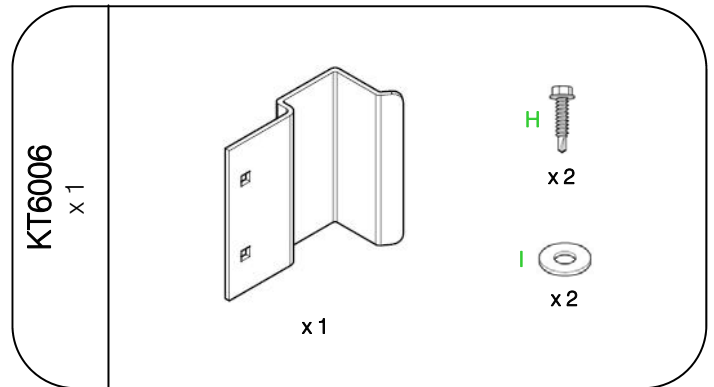
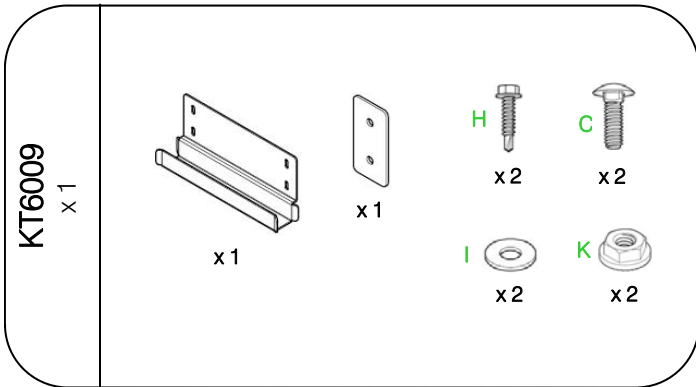
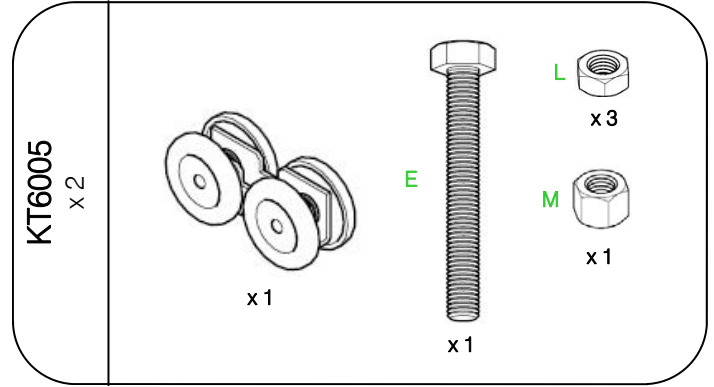
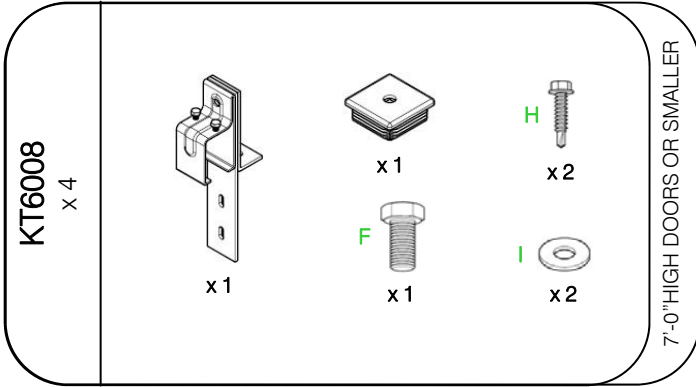
MEASURING TAPE



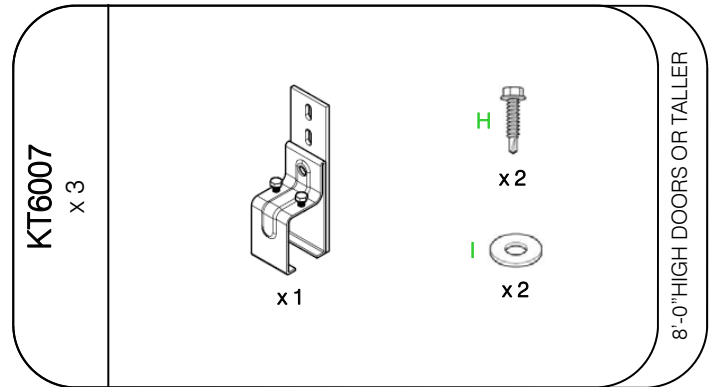
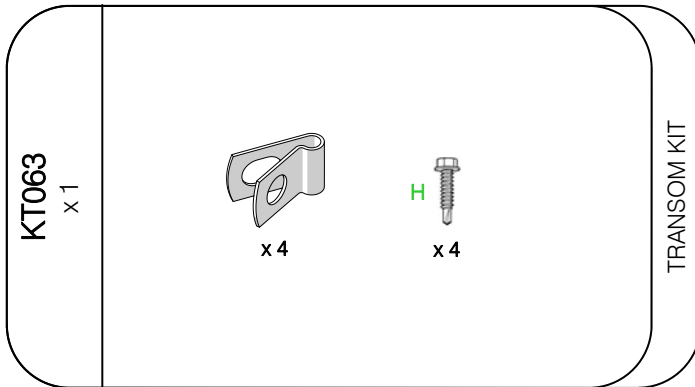
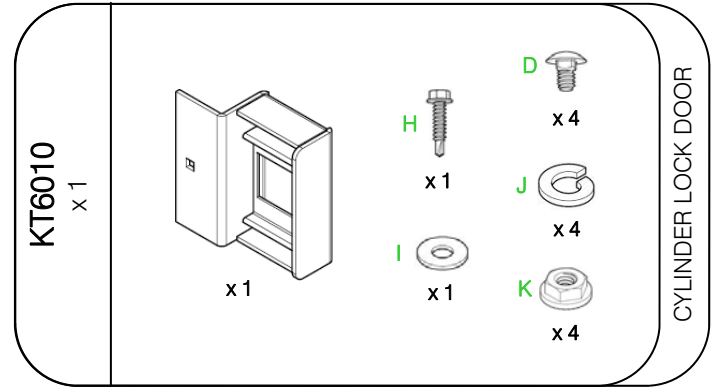
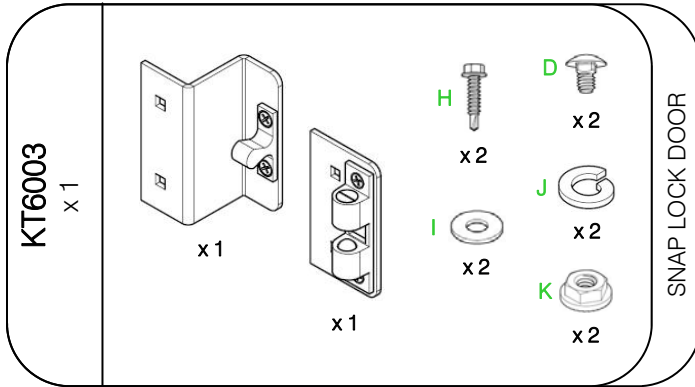
7/16"
[11mm]

SOCKET DRIVER

HARDWARE PROVIDED:



HARDWARE PROVIDED:

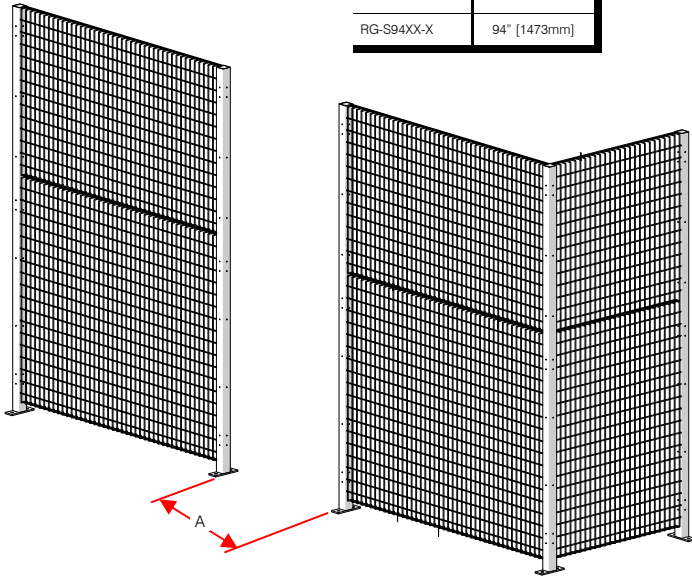


HARDWARE LIST:

- (B) 1/4"-20 x 2-1/2" SQUARE NECK CARRIAGE BOLT
- (C) 1/4"-20 x 1" SQUARE NECK CARRIAGE BOLT
- (D) 1/4"-20 x 1/2" SQUARE NECK CARRIAGE BOLT
- (E) 1/2"-13 x 4" HEX HEAD BOLT
- (F) 3/8"-16 x 1" HEX HEAD BOLT
- (G) M8-1.25 x 20 HEX HEAD BOLT
- (H) #12-14 x 1" HEX HEAD SELF-DRILLING SCREW
- (I) 1/4" FLAT WASHER
- (J) 1/4" LOCK WASHER
- (K) 1/4"-20 FLANGE NUT
- (L) 1/2"-13 HEX JAM NUT
- (M) 1/2"-13 NYLON LOCK NUT
- (S) 1/2"-13 x 1" HEX HEAD BOLT
- (T) 1/2" FLAT WASHER
- (CD) 14-10 x 1" PHILLIPS TRUSS HEAD SHEET METAL SCREW

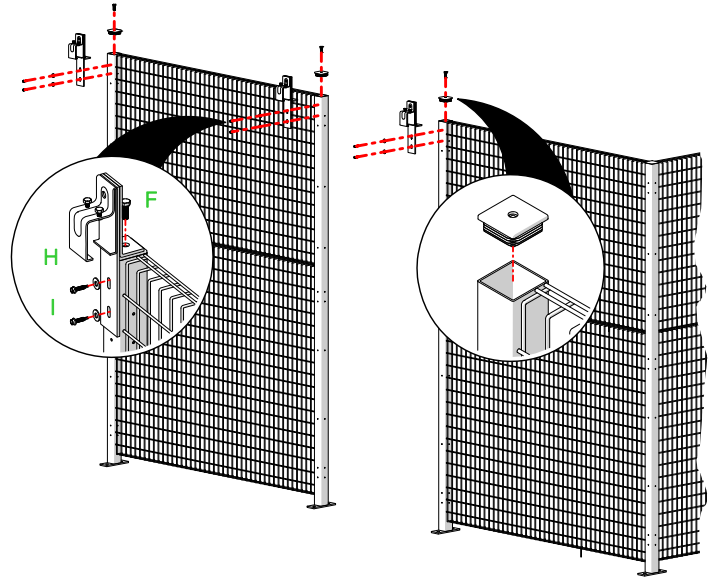
1

	A (OPENING)
RG-S34XX-X	34" [864mm]
RG-S46XX-X	46" [1168mm]
RG-S58XX-X	58" [1473mm]
RG-S70XX-X	70" [1168mm]
RG-S94XX-X	94" [1473mm]



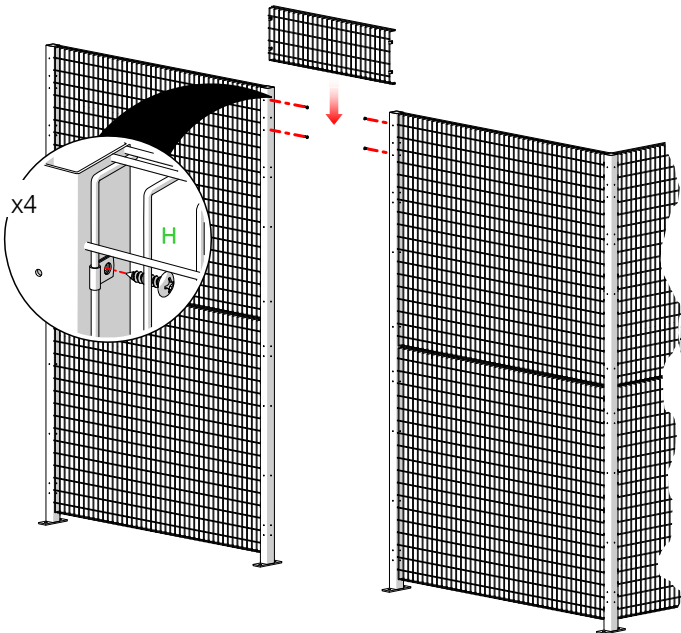
2

TRACK BRACKET INSTALLATION (7'-0" HIGH GUARDING OR SHORTER)



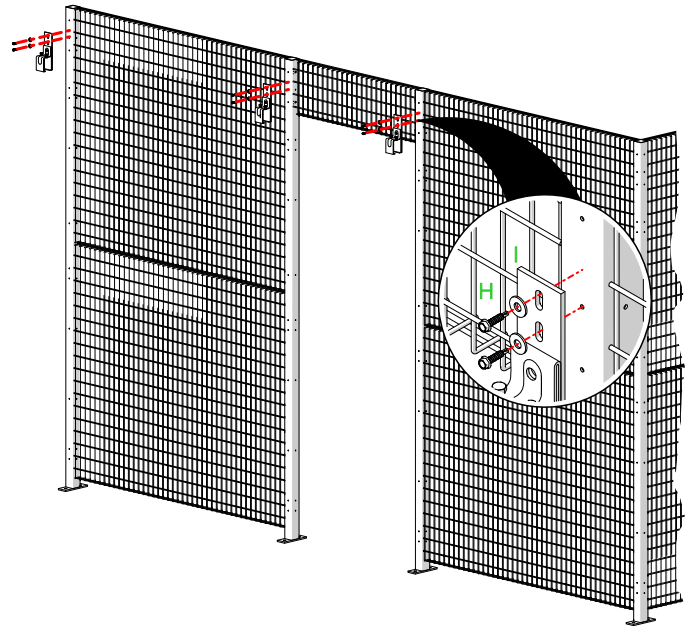
3

TRANSOM INSTALLATION (8'-0" HIGH GUARDING OR TALLER)

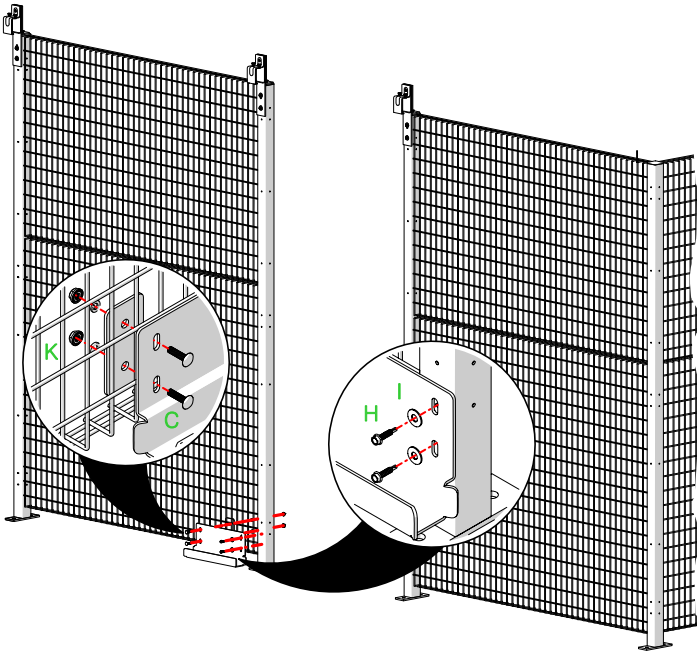


4

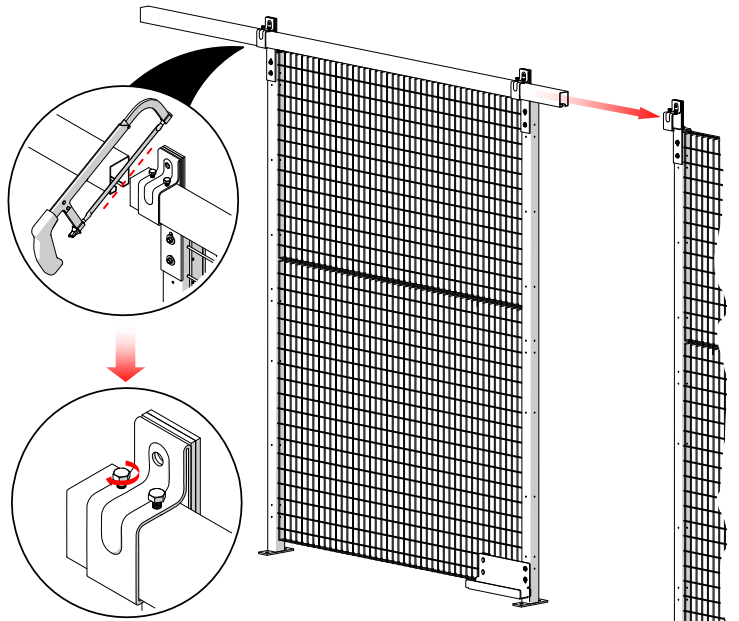
	# OF BRACKETS
RG-S34XX-X	3
RG-S46XX-X	3
RG-S58XX-X	4
RG-S70XX-X	4
RG-S94XX-X	4



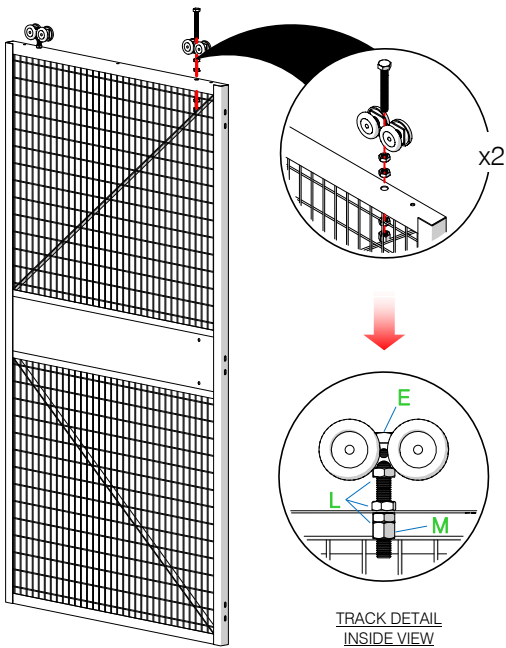
5



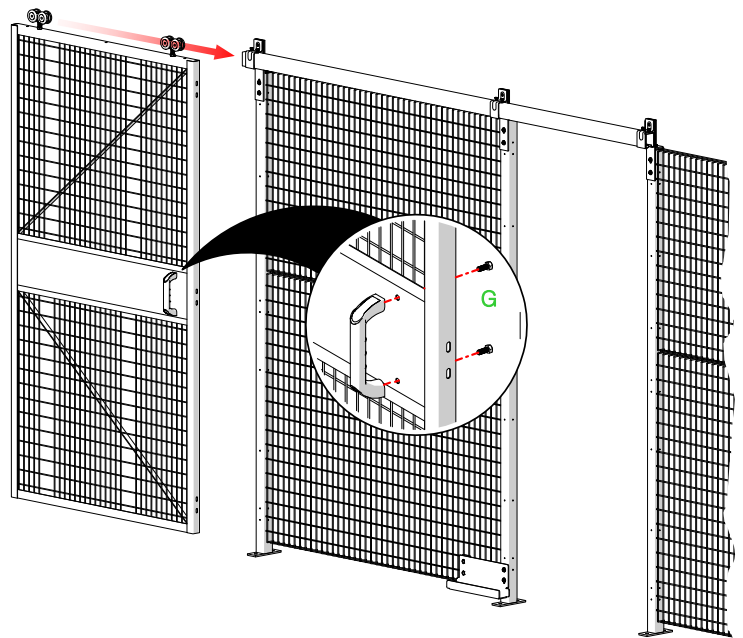
6



7

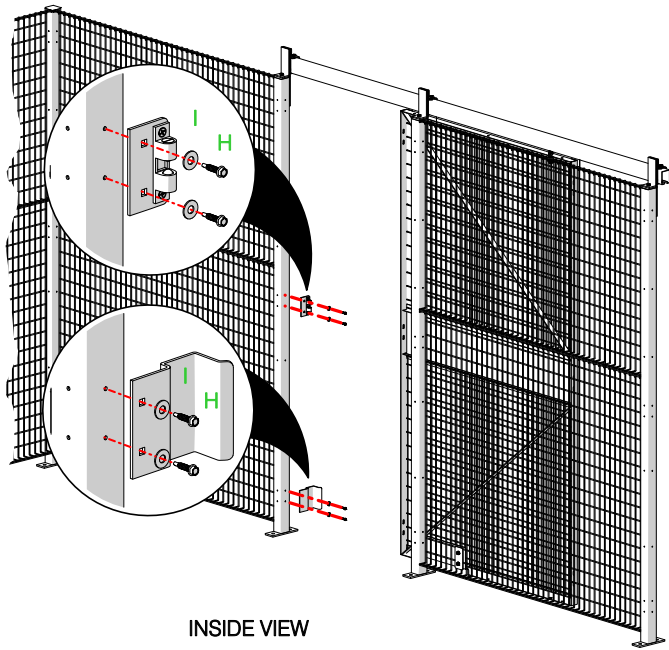


8



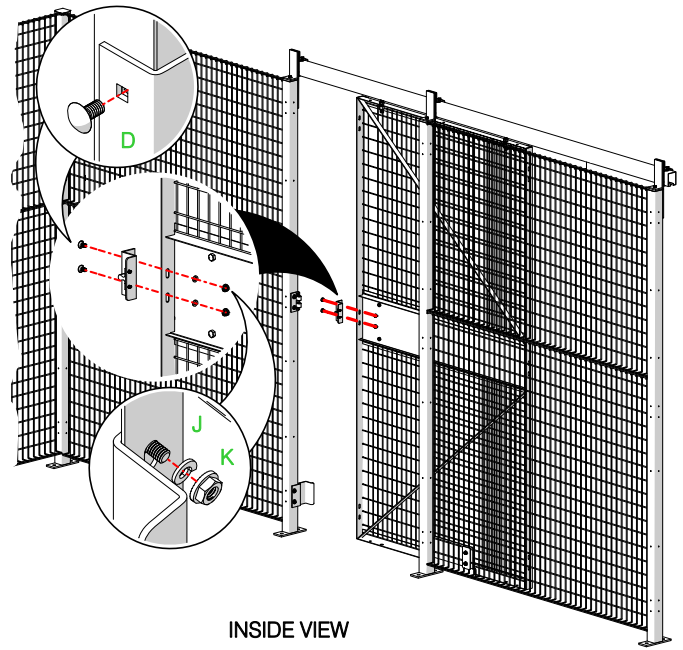
9

SNAP LOCK INSTALLATION (SKIP TO STEP 13 FOR CYLINDER LOCK INSTALLATION)



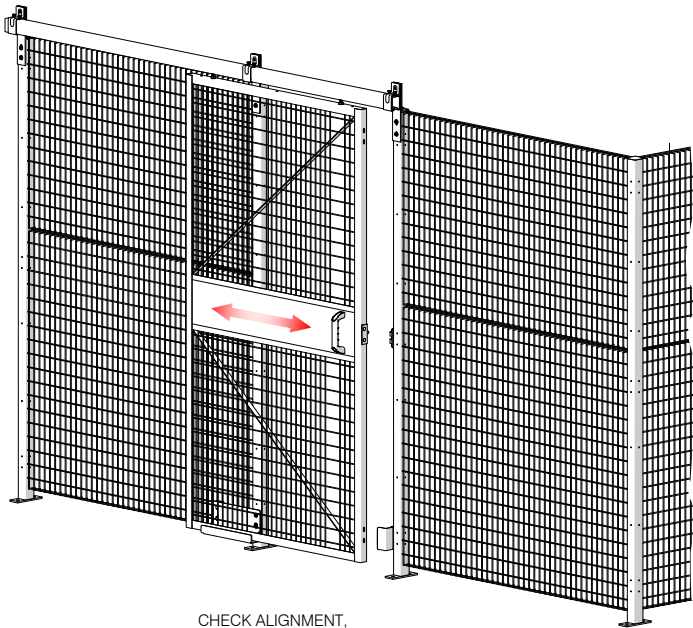
INSIDE VIEW

10



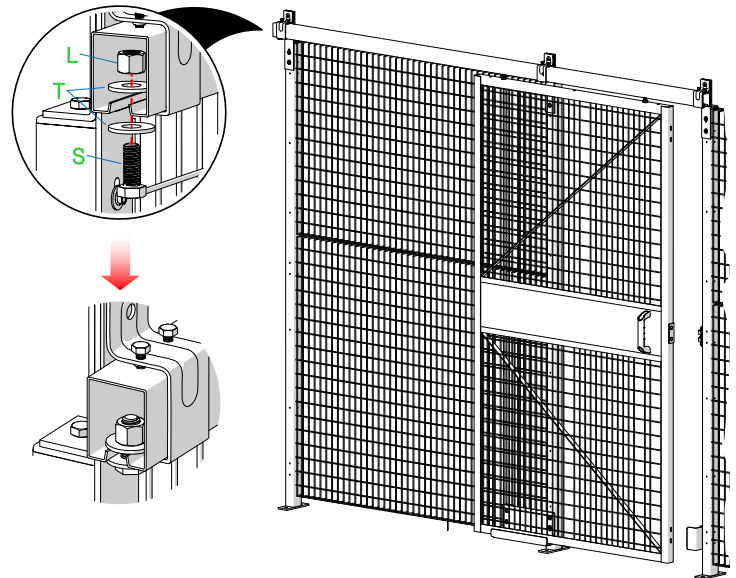
INSIDE VIEW

11



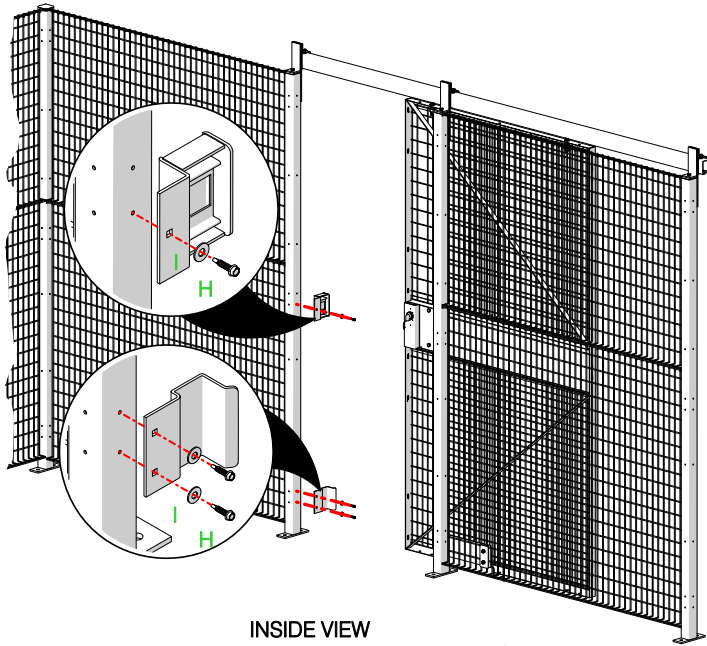
CHECK ALIGNMENT,
ADJUST DOOR AS NECESSARY

12

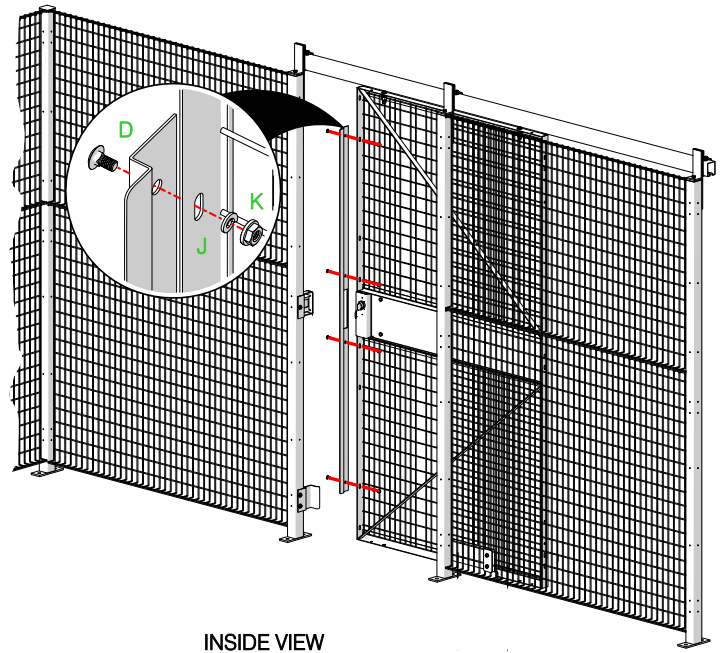


13

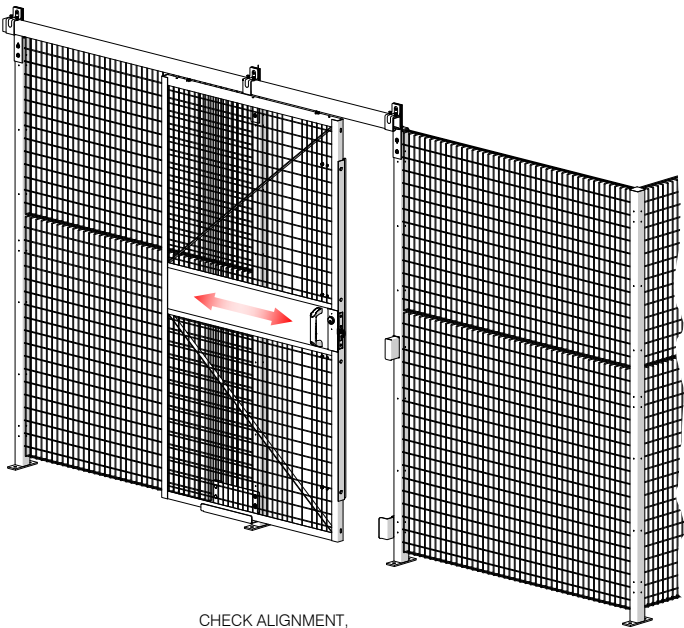
CYLINDER LOCK INSTALLATION (STEPS 13 THRU 16 ARE FOR CYLINDER LOCK INSTALLATION ONLY)



14



15



16

