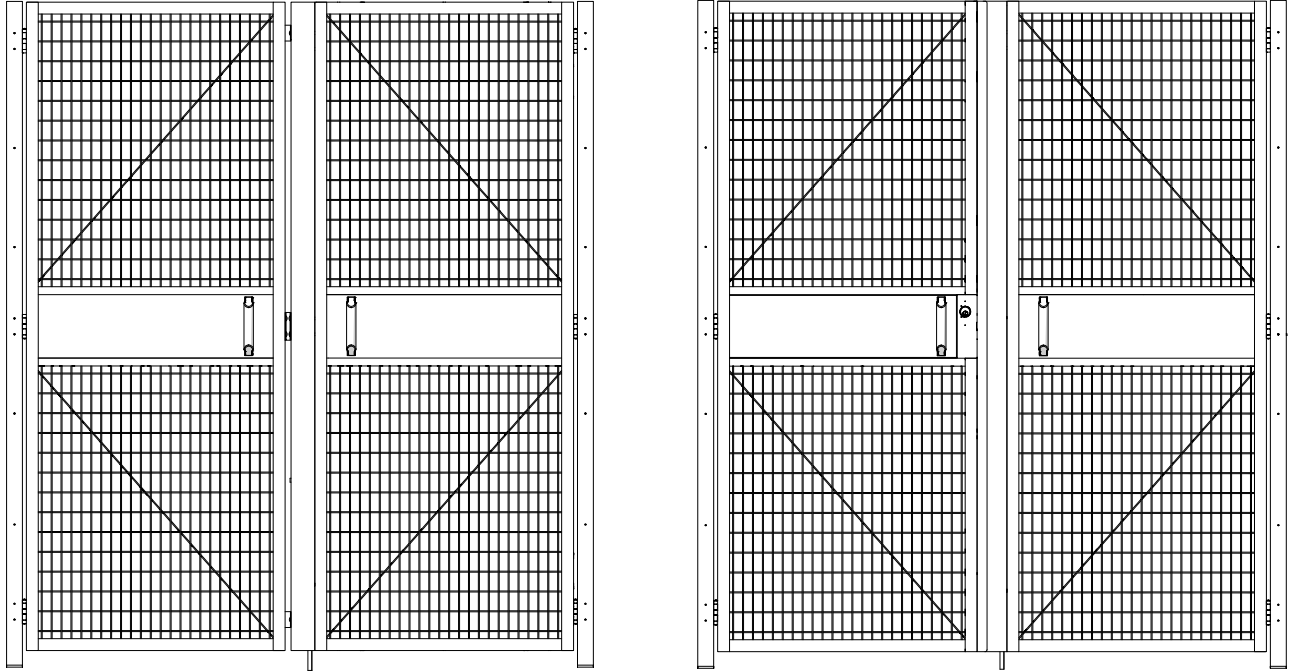
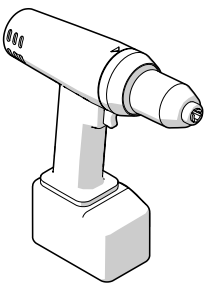


8900 North Arbon Drive  
Milwaukee, WI 53223, USA  
P: 800-553-5560, 414-355-2600  
F: 563-589-2776  
E: safetyinfo@ritehite.com



**TOOLS REQUIRED:**

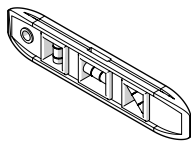


BATTERY DRILL

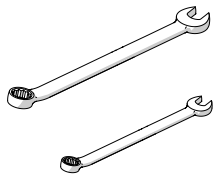


5/16"  
[8mm]

+



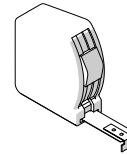
LEVEL



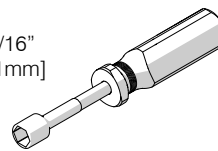
OPEN END WRENCH

9/16"  
[15mm]

7/16"  
[11mm]



MEASURING TAPE



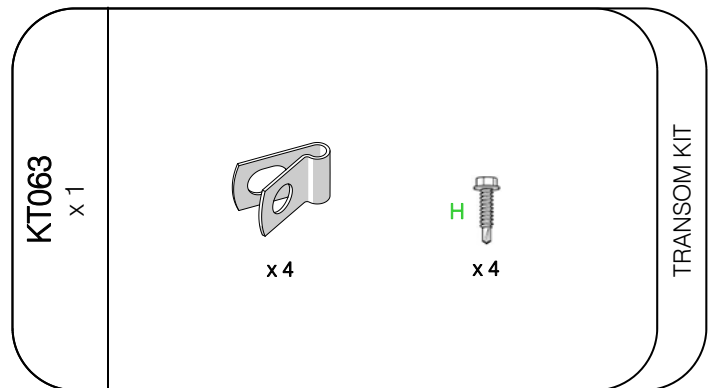
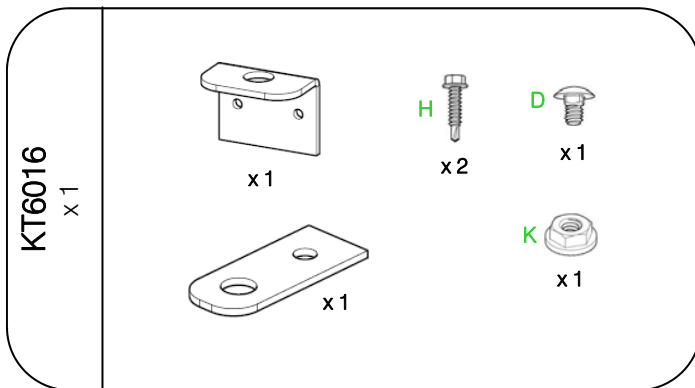
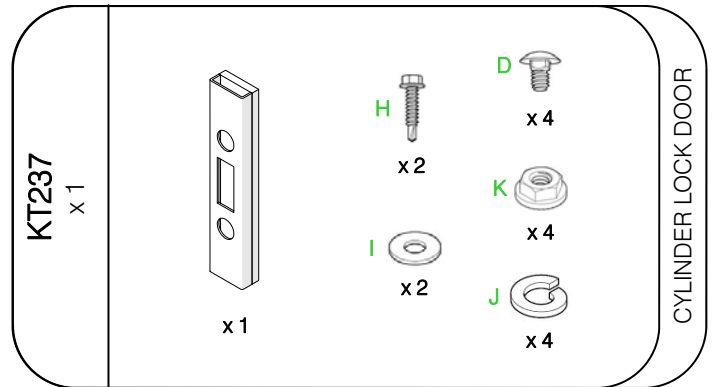
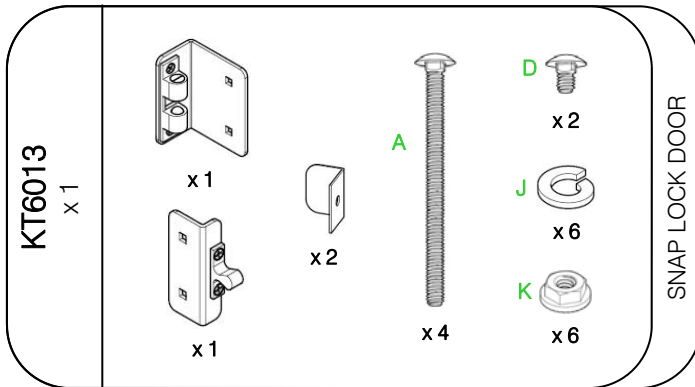
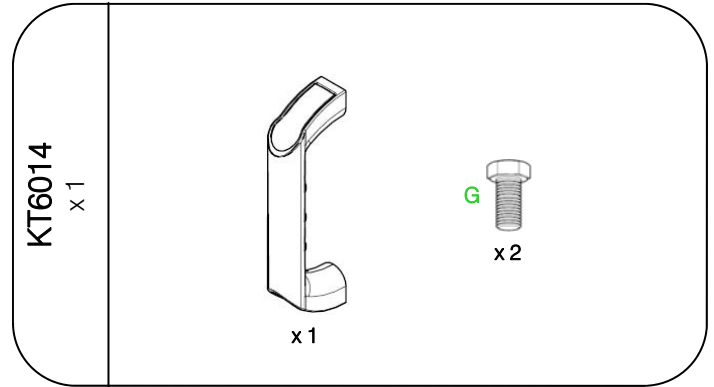
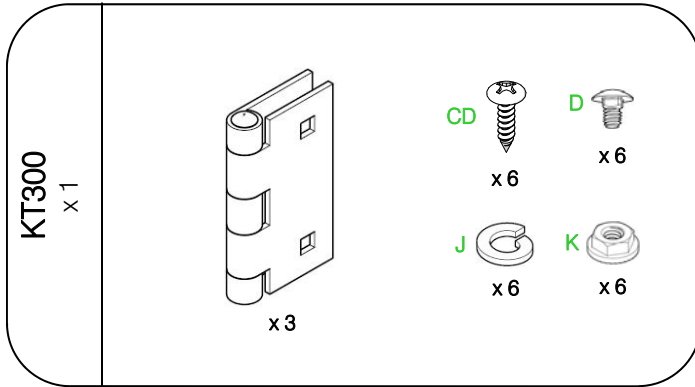
7/16"  
[11mm]

SOCKET DRIVER



PHILLIPS HEAD  
SCREWDRIVER

## HARDWARE PROVIDED:

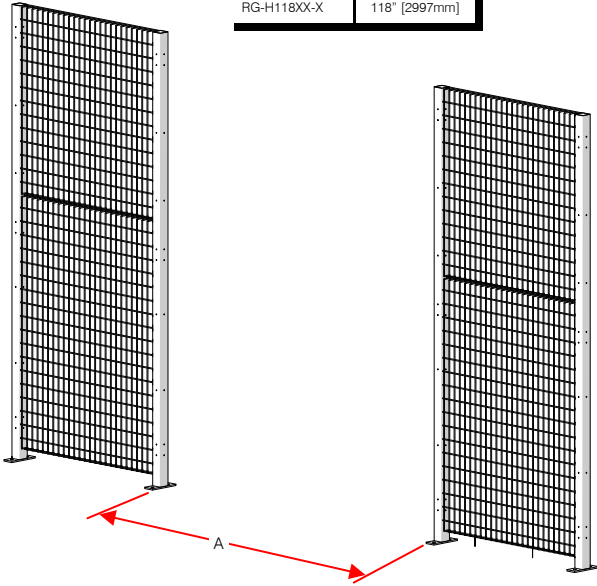


## HARDWARE LIST:

- (A) 1/4"-20 x 3-1/2" SQUARE NECK CARRIAGE BOLT
- (D) 1/4"-20 x 1/2" SQUARE NECK CARRIAGE BOLT
- (G) M8-1.25 x 20 HEX HEAD BOLT
- (H) #12-14 x 1" HEX HEAD SELF-DRILLING SCREW
- (J) 1/4" LOCK WASHER
- (K) 1/4"-20 FLANGE NUT
- (CD) 14-10 x 1" PHILLIPS TRUSS HEAD SHEET METAL SCREW

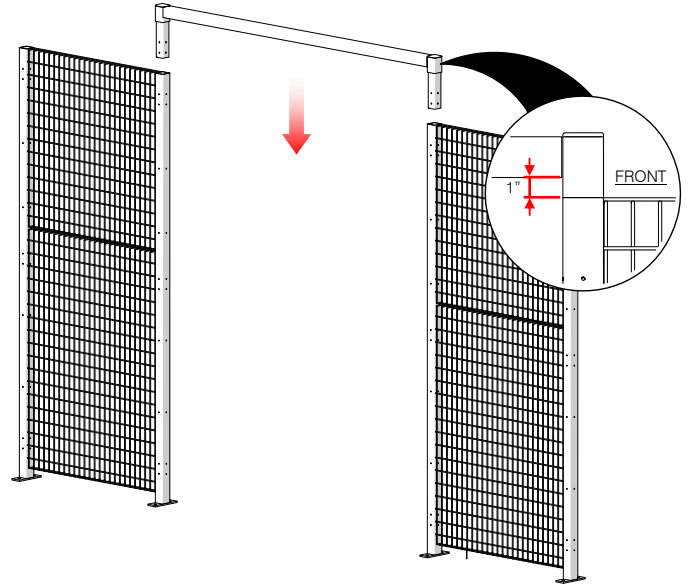
1

|             | A (OPENING)   |
|-------------|---------------|
| RG-HP70XX-X | 70" [1778mm]  |
| RG-HP94XX-X | 94" [2388mm]  |
| RG-H118XX-X | 118" [2997mm] |



2

**HEADER BAR INSTALLATION**  
(7'-0" O.A.H. GUARDING OR SHORTER)

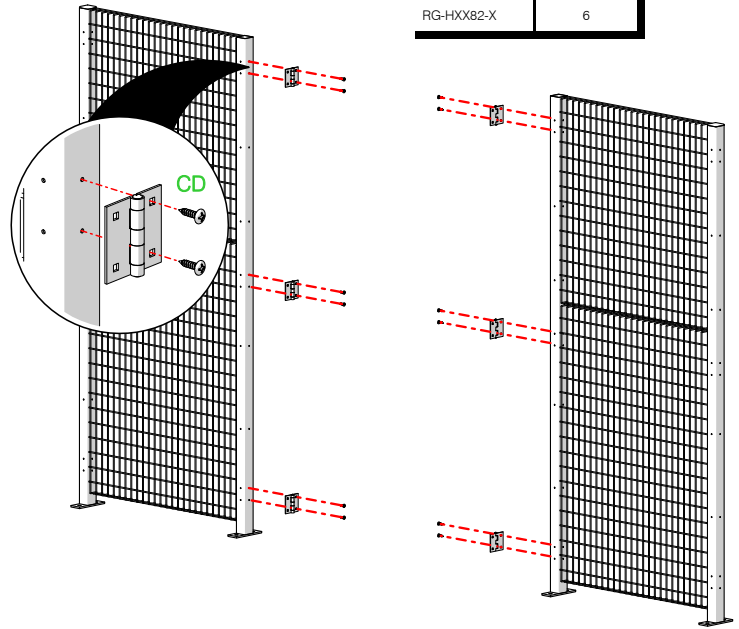
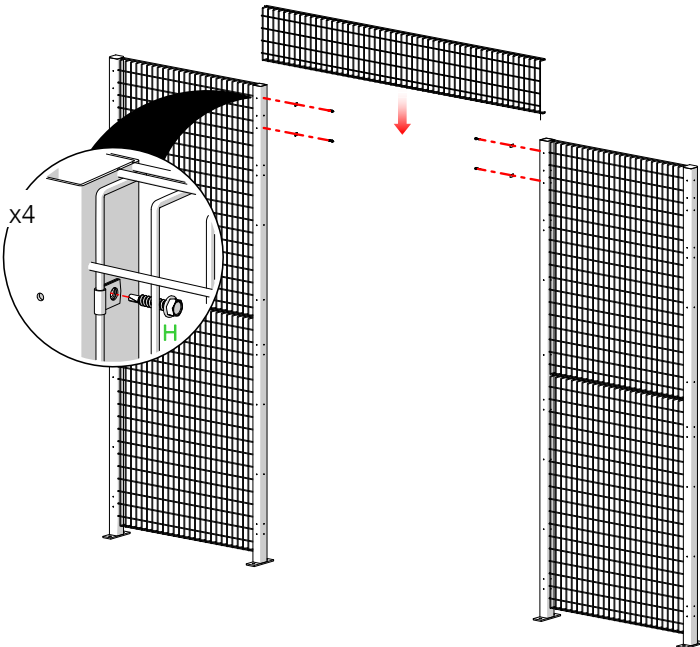


3

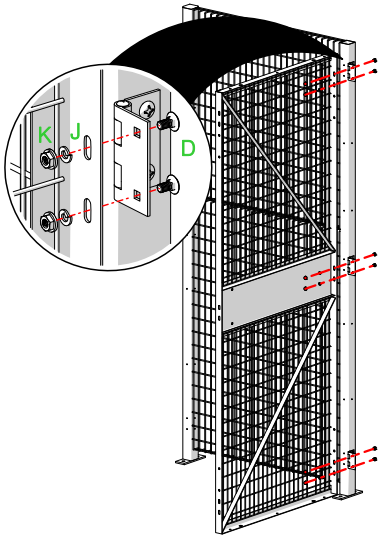
**TRANSOM INSTALLATION**  
(8'-0" HIGH GUARDING OR TALLER)

4

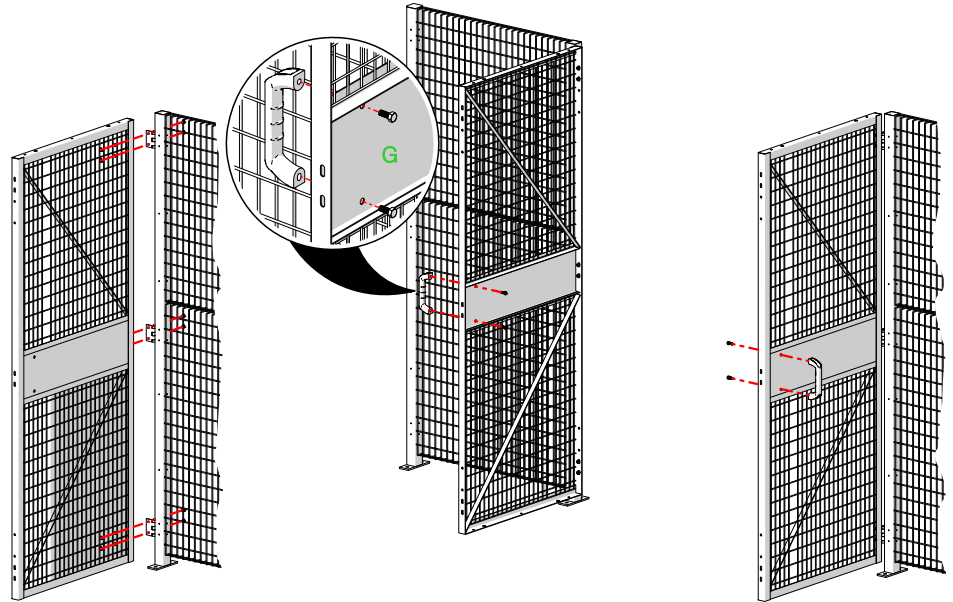
|            | # OF HINGES |
|------------|-------------|
| RG-HXX58-X | 4           |
| RG-HXX72-X | 4           |
| RG-HXX82-X | 6           |



5

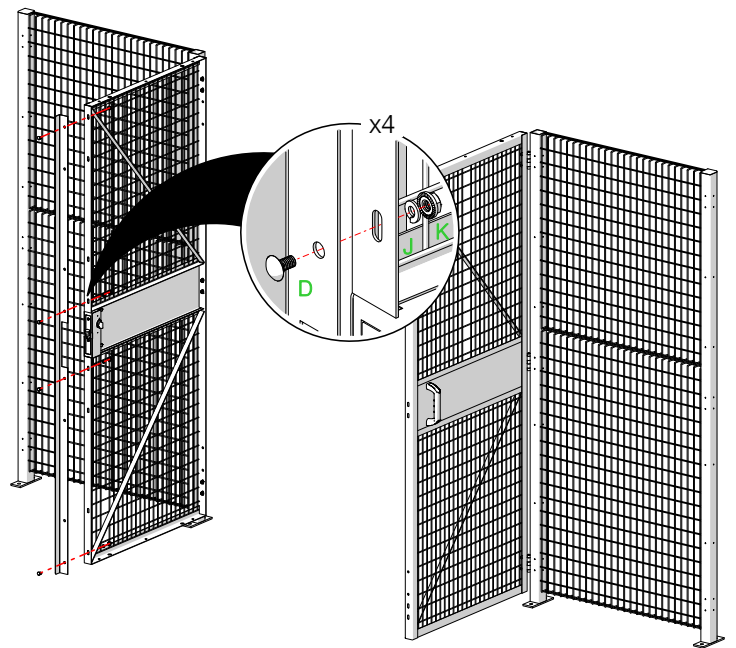
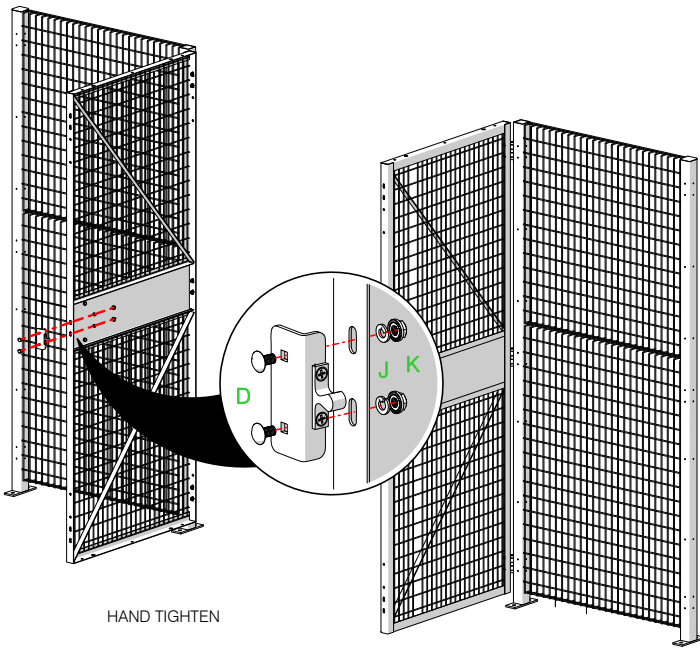


6

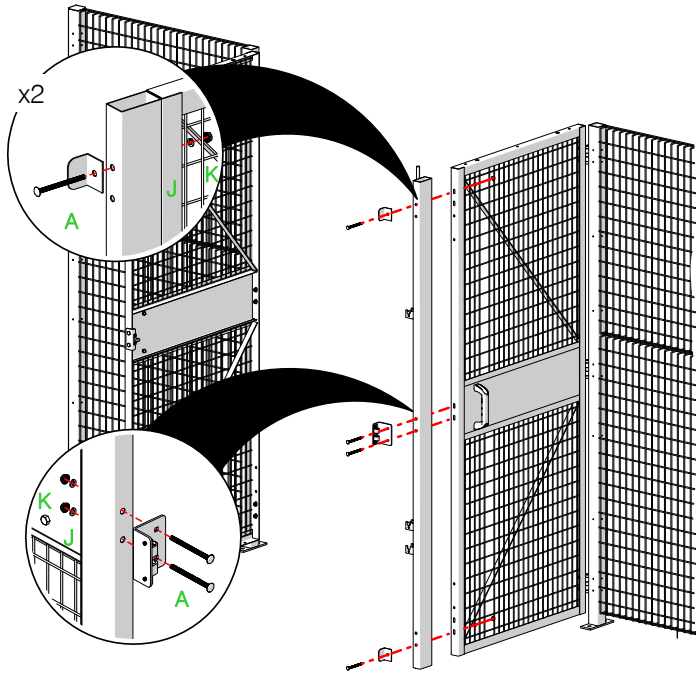


**7a** SNAP LOCK INSTALLATION

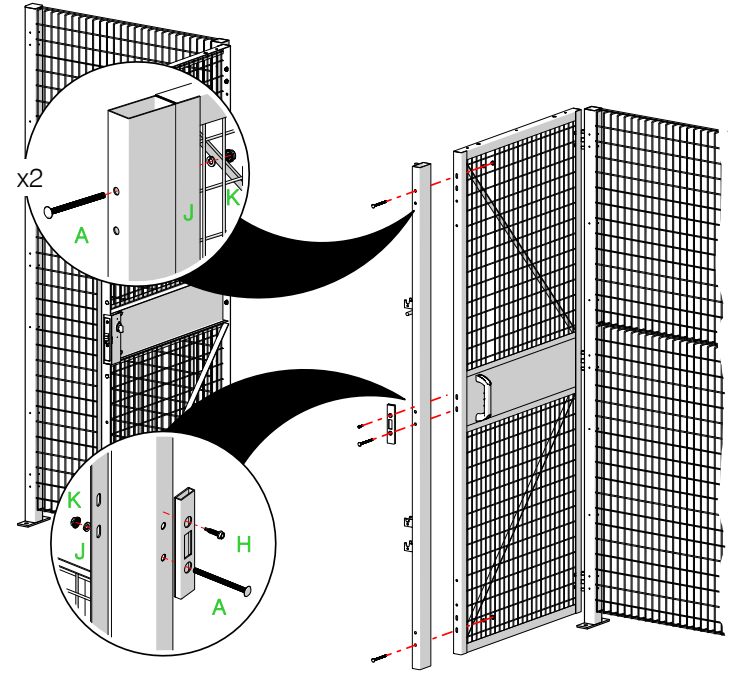
**7b** CYLINDER LOCK INSTALLATION



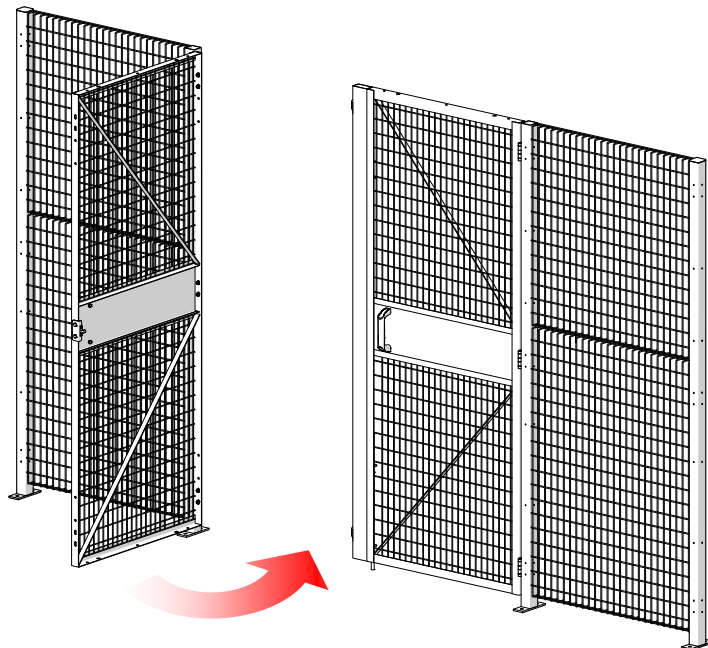
# 8a SNAP LOCK INSTALLATION



# 8b CYLINDER LOCK INSTALLATION

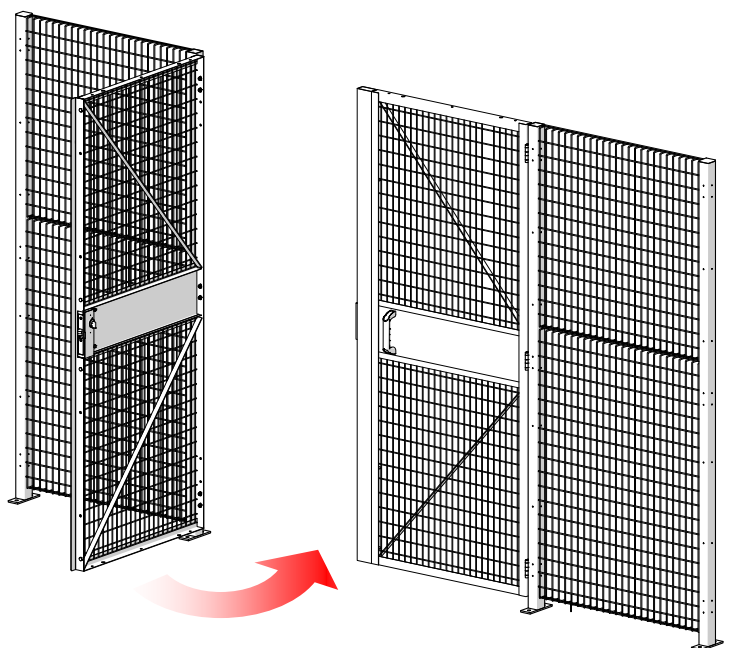


# 9a SNAP LOCK INSTALLATION



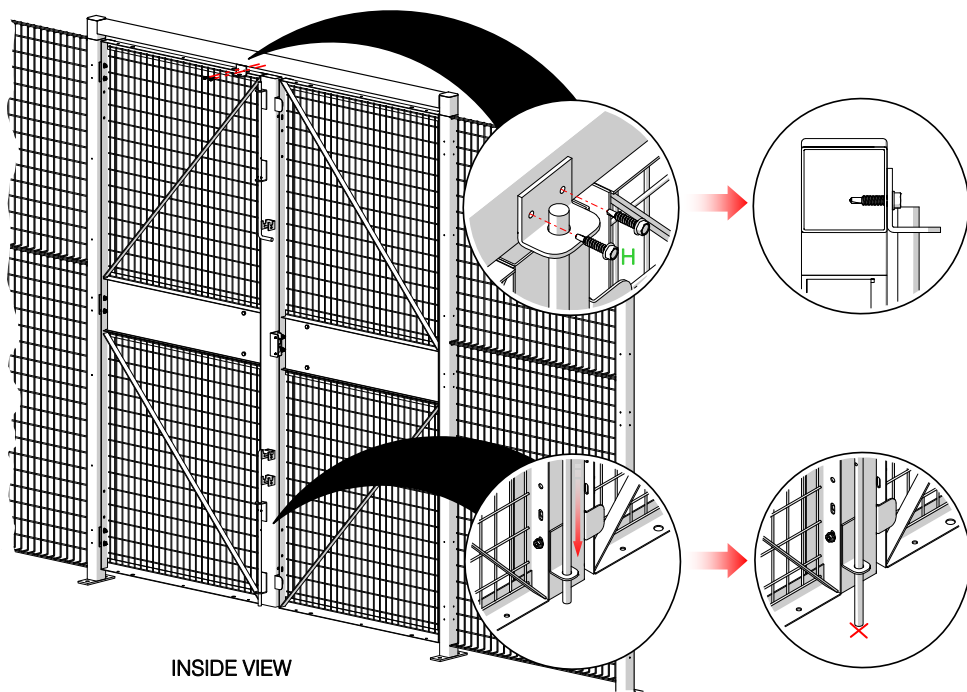
CHECK ALIGNMENT & TIGHTEN ALL HARDWARE

# 9b CYLINDER LOCK INSTALLATION



CHECK ALIGNMENT & TIGHTEN ALL HARDWARE

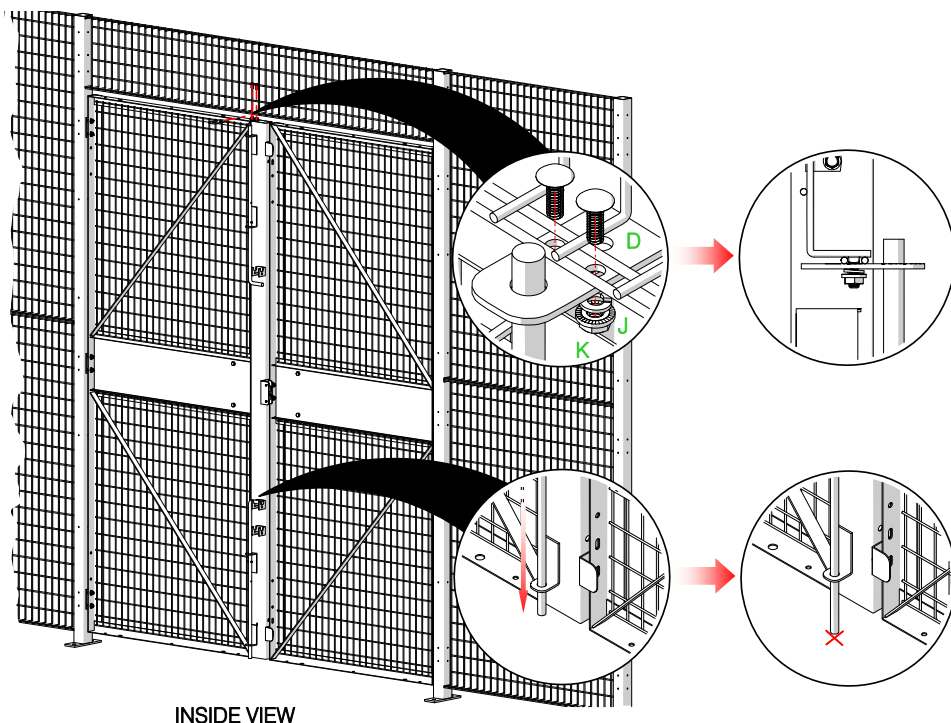
# 10a CANE BOLT INSTALL FOR HEADER BAR



INSIDE VIEW

**NOTE:**  
DRILL 9/16" DIAMETER HOLE,  
2-1/2" INTO THE FLOOR

# 10b CANE BOLT INSTALL FOR TRANSOM PANEL



INSIDE VIEW

**NOTE:**  
DRILL 9/16" DIAMETER HOLE,  
2-1/2" INTO THE FLOOR