

4

3

DWG NO
A7120057

SHEET
1 OF 1

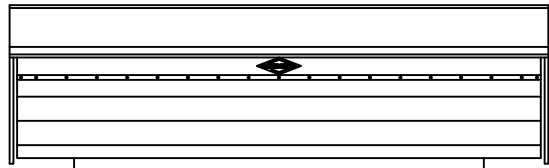
REV
D

1

NEXT ASSEMBLY

UNIT WIDTH

MIN. 10'-4", MAX. 12'-4"
MIN. UNIT WIDTH IS BASE UNIT WIDTH + 4"
(ADDITIONAL 1/2" REQ'D FOR BRACKETING)



STD.
14'-7 3/4"
TO TOP
OF FRONT
BAR

STD. 15'-6 3/4"
TO TOP OF UNIT

48"
DOCK
HT.

LEVEL GRADE

ELEVATION

56 1/2" MAX.
PROJ.

SEAL DROP
28" STD.
(24" OPT.)

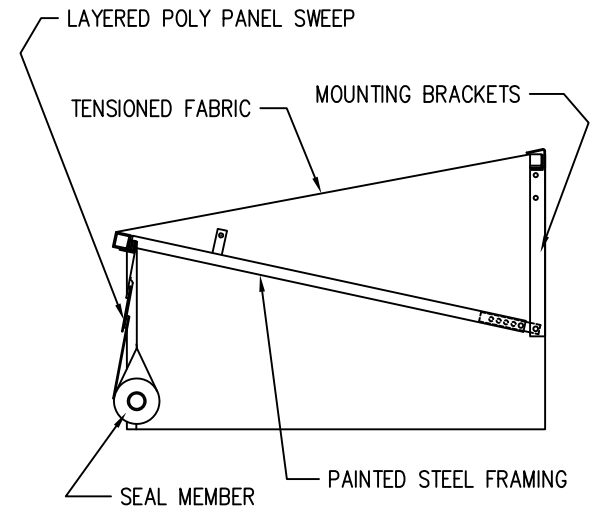
STD.
13'-6"
TO BOTTOM
OF BRACKETS

4" MIN.
BUMPER

SECTION

REVISION HISTORY

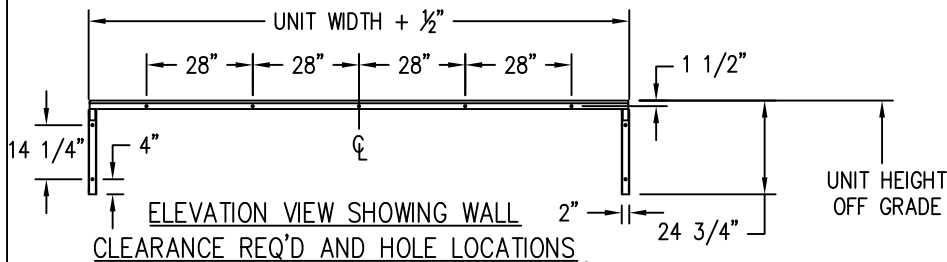
REV	DESCRIPTION	ECN	DATE	BY	APPROVED
B	ADDED EXTENSION TO PIVOT ARM	08-034	10/15/08	RPW	
C	ADDED "FOR REFERENCE ONLY" NOTE	11-010	3/29/2011	GDB	
D	UPDATED LOGO AND TITLE BLOCK	11-010	3/29/2011	GDB	



DETAIL OF SECTION VIEW

THIS DRAWING IS FOR
REFERENCE ONLY.
DO NOT USE FOR
PRODUCTION
PURPOSES.

A



ELEVATION VIEW SHOWING WALL
CLEARANCE REQ'D AND HOLE LOCATIONS

UNIT HEIGHT
OFF GRADE

©2014 RITE-HITE ENVIRONMENTAL ENCLOSURES CORP.

ITEM	QTY	PART NO.	DESCRIPTION
PARTS LIST / MATERIAL			

INCH TOLERANCES			DO NOT SCALE DRAWING	
OVER	UP TO	+ / -		
0	0.125	0.005	MM-DD-YY	
0.125	0.25	0.010	DRAWN BY	DATE 10/30/03
0.25	1.25	0.020	GDB	
1.25	5	0.030	CHECKED BY	DATE
5	15	0.040		
15	40	0.060	APPROVED BY	DATE
40	80	0.100		
80	-	0.125		
ANGLES	±/- 1 DEG		INITIAL ECN	
FINISH	NONE		04-006	
DATE ISSUED			REF	

RITE-HITE ENVIRONMENTAL ENCLOSURES CORP.			
TITLE ARCHITECTURAL APPROVAL RG3000			
SIZE B	MODEL NUMBER RG3000	DWG NO A7120057	REV D
SCALE 3/8" = 1"			PART #
SHEET 1 OF 1			

4

3

2

1