

4

3

DWG NO
A7120061

SHEET
1 OF 1

REV
B

1

NEXT ASSEMBLY

C4 STYLE HEAD CURTAIN WITH REPLACABLE FACE, STAYS ON TOP OF TRAILER

FABRIC WRAPPED INTEGRATED GUTTER

BOTTOM PLEAT SEWN COMPLETELY DOWN

24" PROJ. (MIN)

SELF SUPPORTING HEADER ASSEMBLY

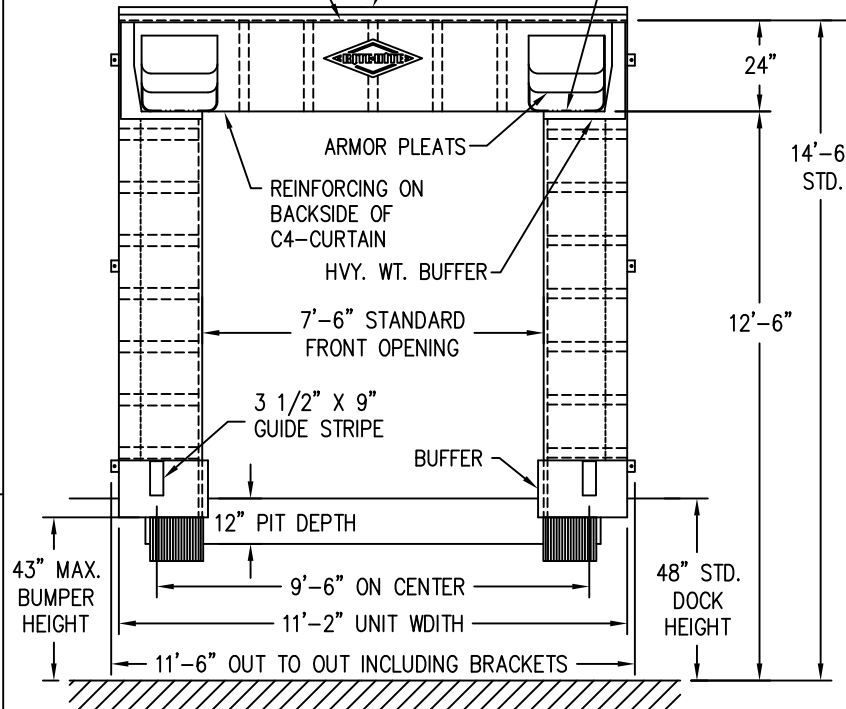
3 1/2"

REVISION HISTORY

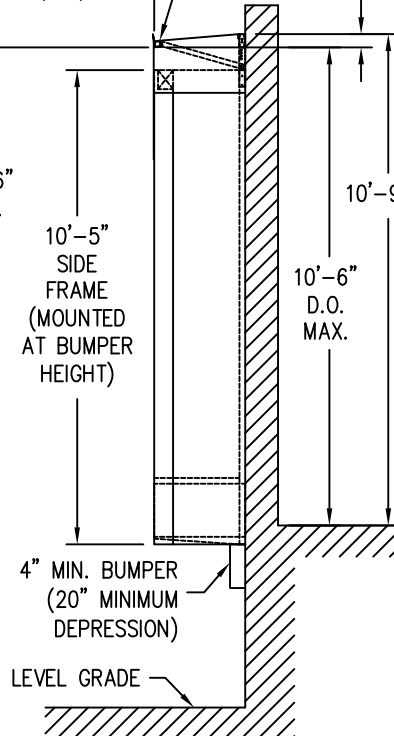
REV	DESCRIPTION	ECN	DATE	BY	APPROVED
A	ADDED "FOR REFERENCE ONLY" NOTE	11-010	3/29/2011	GDB	
B	UPDATED LOGO AND TITLE BLOCK	14-006	3/28/2014	GDB	

B

B



ELEVATION



RIGHT SIDE ELEV.

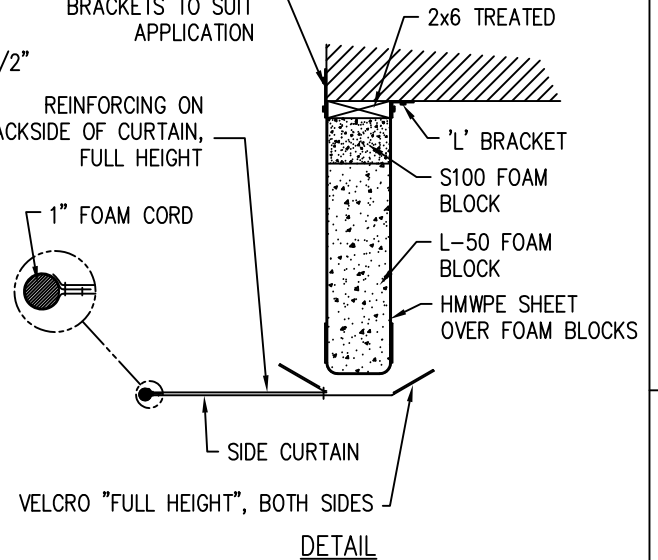
FLAT BRACKET, "L" BRACKET OR WATERTIGHT BRACKETS TO SUIT APPLICATION

REINFORCING ON BACKSIDE OF CURTAIN, FULL HEIGHT

1" FOAM CORD

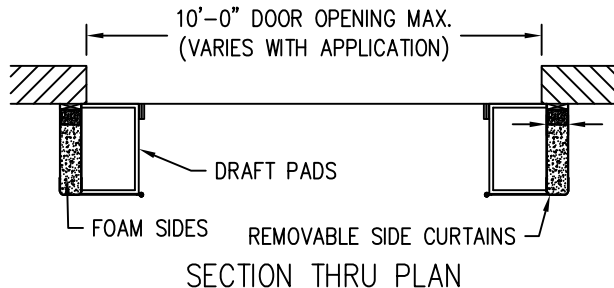
VELCRO "FULL HEIGHT", BOTH SIDES

C4 STYLE CURTAIN FACE & PLEAT FABRIC: F119, 40V, BLACK
 SIDE FRAME: F114 22 PLUS, BLACK
 SIDE CURTAIN: F119, 40V, BLACK
 6" SIDE FRAME WIDTHS ONLY



A

A



* SPECIAL NOTE: *
 USED ONLY WITH A VHL STYLE DOCK LEVELER, 43" MAX. BUMPER HGT. AND A STANDARD TRAILER RANGE FROM 12'-9" TO 13'-6". LEVEL APPROACH, NO TAPERS.

THIS DRAWING IS FOR REFERENCE ONLY. DO NOT USE FOR PRODUCTION PURPOSES.

©1998 RITE-HITE ENVIRONMENTAL ENCLOSURES CORP.

ITEM	QTY	PART NO.	DESCRIPTION
PARTS LIST / MATERIAL			

INCH TOLERANCES			DO NOT SCALE DRAWING	
OVER	UP TO	+ / -	MM-DD-YY	
0	0.125	0.005	DRAWN BY	DATE 10/16/04
0.125	0.25	0.010	CJD	
0.25	1.25	0.020	CHECKED BY	DATE
1.25	5	0.030	APPROVED BY	DATE
5	15	0.040	INITIAL ECN	05-003
15	40	0.060	DATE ISSUED	01/31/05
40	80	0.100	REF	
80	-	0.125		
ANGLES ±/ - 1 DEG				
FINISH NONE				

RITE-HITE ENVIRONMENTAL ENCLOSURES CORP.			
TITLE			
ARCHITECTURAL APPROVAL			
610 SERIES SHELTER - 6" BACKERS			
"VHL" LEVELER DRIVE THROUGH APPLICATION			
SIZE	MODEL NUMBER	DWG NO	REV
B	610	A7120061	B
SCALE 3/8"=1"			PART #
SHEET 1 OF 1			

4

3

2

1