

4

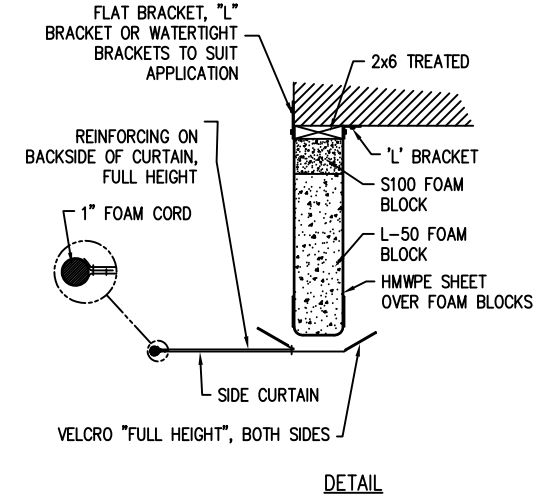
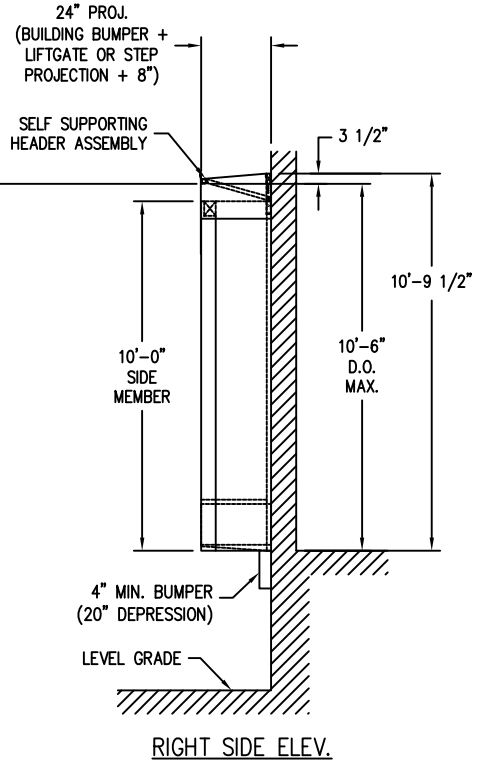
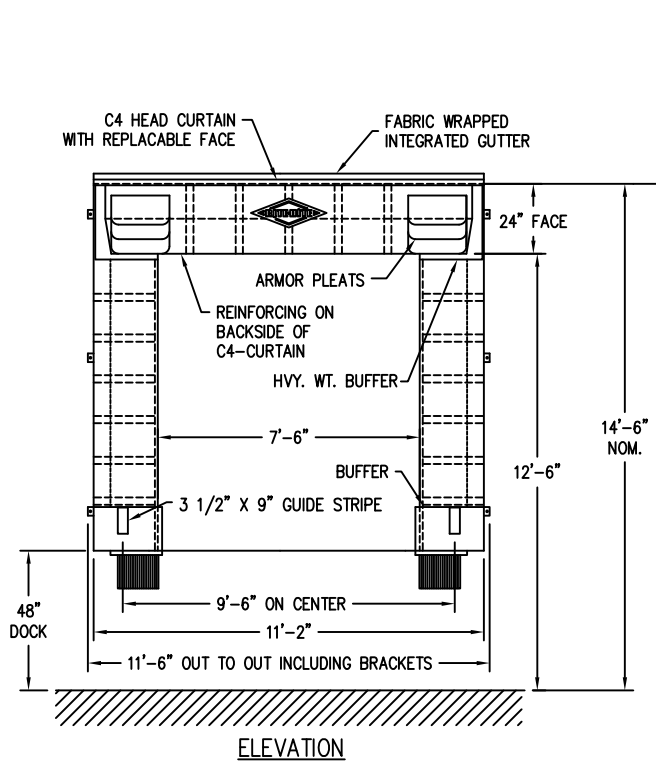
3

2

1

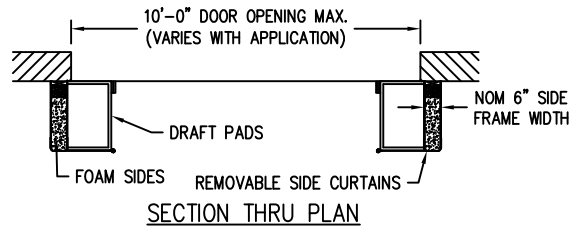
NEXT ASSEMBLY

REVISION HISTORY					
REV	DESCRIPTION	ECH	DATE	BY	APPROVED
B	ADDED NOTE ABOUT RAISED BUMPERS	08-009	3/26/08	GDB	
C	ADDED "FOR REFERENCE ONLY" NOTE	11-010	3/29/2011	GDB	
D	UPDATED LOGO AND TITLE BLOCK	14-006	3/28/2014	GDB	



C4 STYLE CURTAIN FACE & PLEAT FABRIC: F119, 40V, BLACK
 SIDE FRAME: F114 22 PLUS, BLACK
 SIDE CURTAIN: F119, 40V, BLACK

NOTE:
 APPLICATIONS THAT HAVE BUMPERS MOUNTED ABOVE DOCK HEIGHT (OR ABOVE THE PIT FLOOR IN VERTICAL LEVELER APPLICATIONS) MAY REQUIRE THAT THE BOTTOM OF THE SIDE MEMBERS BE MOUNTED AT THE TOP OF THE BUMPERS INSTEAD OF AT DOCK HEIGHT.



THIS DRAWING IS FOR REFERENCE ONLY. DO NOT USE FOR PRODUCTION PURPOSES.

INCH TOLERANCES			DO NOT SCALE DRAWING	
OVER	UP TO	+/-	MM-DD-YY	
0	0.125	0.005	MM-DD-YY	
0.125	0.25	0.010	DRAWN BY	CJD
0.25	1.25	0.020	DATE	6/4/04
1.25	5	0.030	CHECKED BY	
5	15	0.040	DATE	
15	40	0.050	APPROVED BY	
40	80	0.100	DATE	
80	-	0.125	INITIAL ECH	04-010
FINISH	NONE		DATE ISSUED	5/27/04
ANGLES	1/2" - 1" DEB		REF	

ITEM	QTY	PART NO.	DESCRIPTION
PARTS LIST / MATERIAL			
RITE-HITE ENVIRONMENTAL ENCLOSURES CORP.			
ARCHITECTURAL APPROVAL			
610C SERIES SHELTER - COMBO II			
12" LIFTGATE OR STEP APP. - 6" BACKERS			
SIZE	MODEL NUMBER	DWG NO	REV
C	610C	A7120060	D
SCALE 3/8"=1'		PART #	SHEET 1 of 1

DWG NO A7120060 SHEET 1 of 1

4

3

2

1