

4

3

DWG NO  
A7120114

SHEET  
1 OF 1

REV  
B

1

NEXT ASSEMBLY

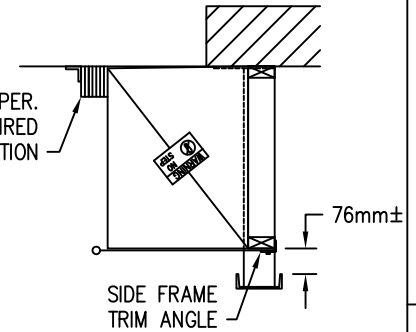
REVISION HISTORY

| REV | DESCRIPTION                     | ECN    | DATE      | BY  | APPROVED |
|-----|---------------------------------|--------|-----------|-----|----------|
| A   | ADDED "FOR REFERENCE ONLY" NOTE | 11-010 | 3/29/2011 | GDB |          |
| B   | UPDATED LOGO AND TITLE BLOCK    | 14-006 | 3/31/2014 | GDB |          |

NOTES:

- STANDARD FRAME:  
NON-ROT PRESSURE TREATED WOOD
- FOAM TAPE WATER BARRIER INCLUDED  
BETWEEN HEAD FRAME AND TRIM ANGLE

102mm MIN. BUMPER.  
355mm-508mm REQUIRED  
PENETRATION



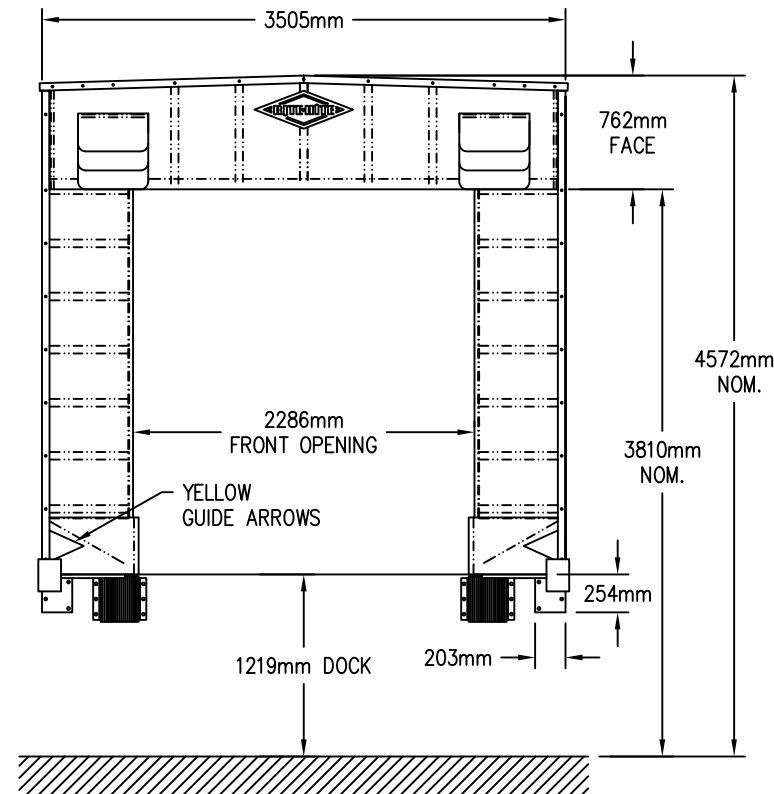
SECTION THRU SIDE FRAME

HEAD CURTAIN FABRIC: \_\_\_\_\_  
SIDE CURTAIN FABRIC: \_\_\_\_\_  
ARMOR PLEAT FABRIC: \_\_\_\_\_

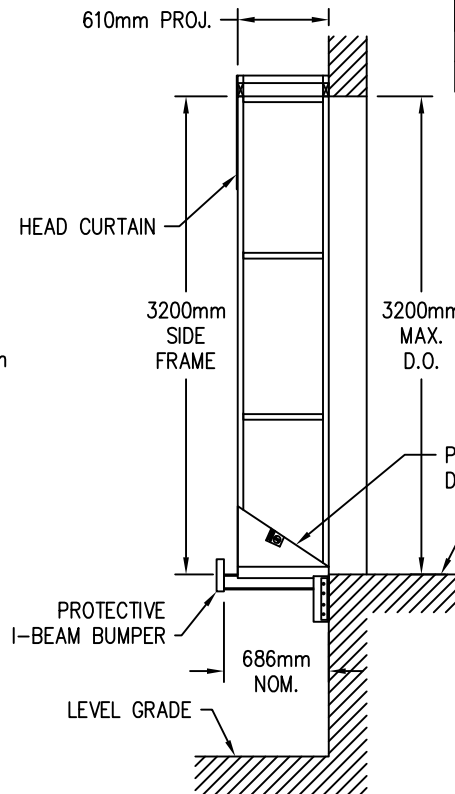
RECOMMENDED TRUCK COVERAGE:  
3886mm TO 4115mm HIGH X 2438mm TO 2591mm WIDE

| ITEM                  | QTY | PART NO. | DESCRIPTION |
|-----------------------|-----|----------|-------------|
| PARTS LIST / MATERIAL |     |          |             |

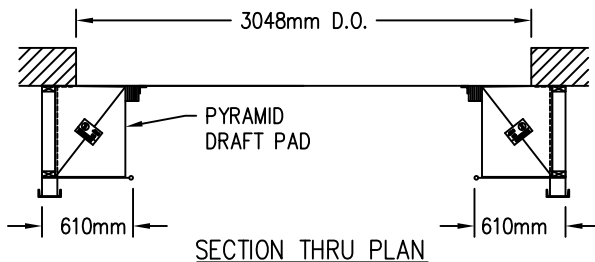
|   |  |  |  |
|---|--|--|--|
| <p>DO NOT SCALE DRAWING</p> <p>MM-DD-YY<br/>DATE 5/5/2009</p> <p>DRAWN BY GDB</p> <p>CHECKED BY</p> <p>APPROVED BY</p> <p>DATE</p> <p>INITIAL ECN</p> <p>DATE ISSUED</p> <p>REF</p> |  | <p><b>RITE-HITE ENVIRONMENTAL ENCLOSURES CORP.</b></p> <p>TITLE<br/>ARCHITECTURAL APPROVAL (METRIC)<br/>WG410 STANDARD UNIT</p> <p>SIZE B<br/>MODEL NUMBER WG410<br/>DWG NO A7120114<br/>REV B</p> <p>SCALE 3/8"=1' PART #</p> |  |
|---|--|--|--|



FRONT ELEVATION



SECTION THRU ELEVATION



SECTION THRU PLAN

THIS DRAWING IS FOR  
REFERENCE ONLY.  
DO NOT USE FOR  
PRODUCTION PURPOSES.

4

3

2

1