

4

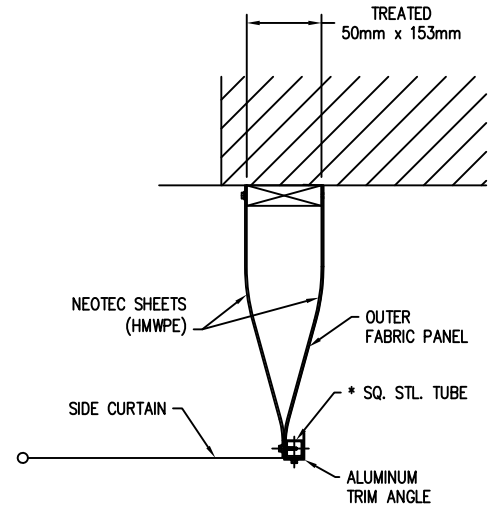
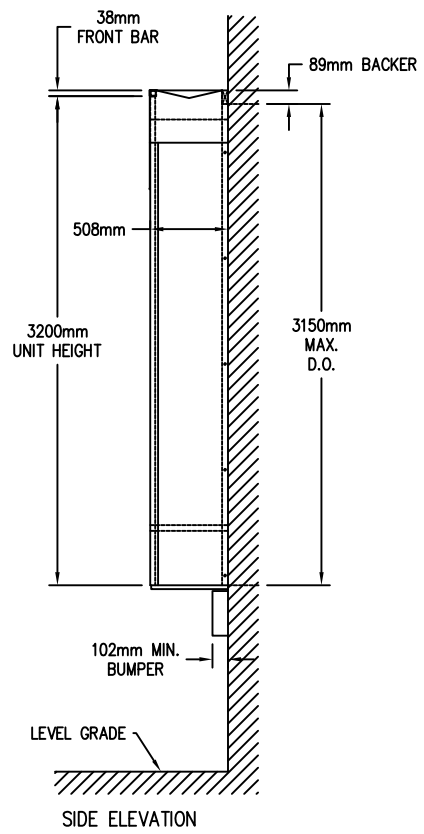
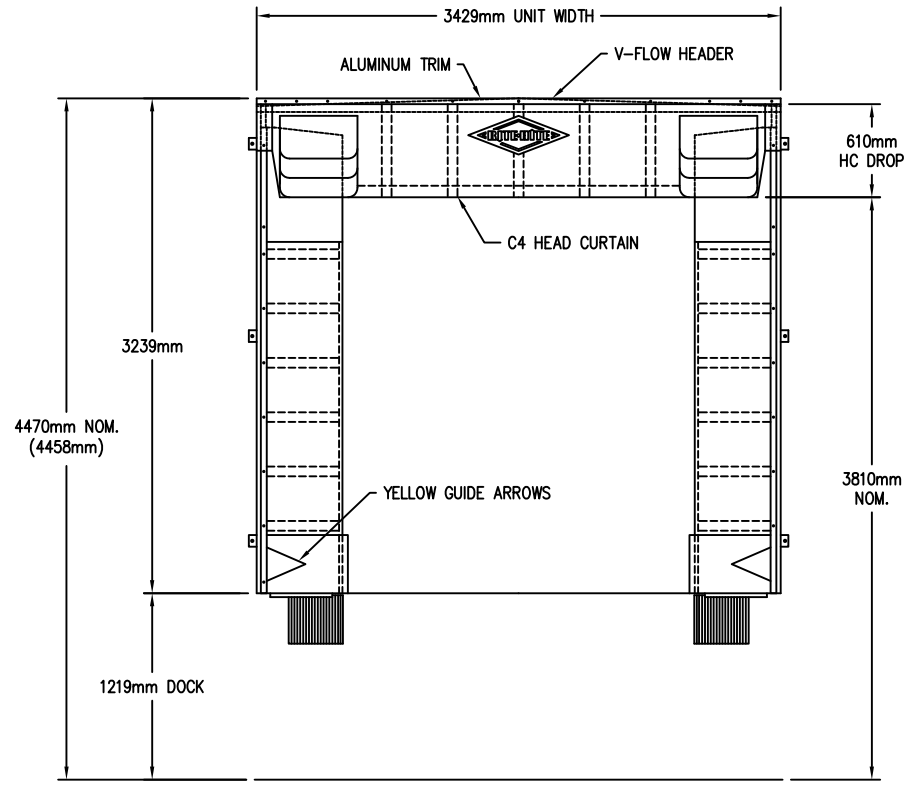
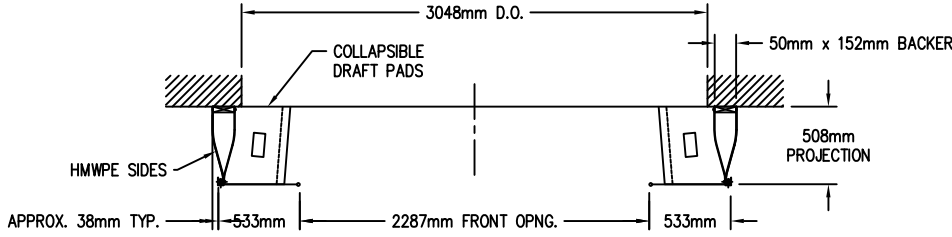
3

2

1

NEXT ASSEMBLY

| REVISION HISTORY | | | | | |
|------------------|---------------------------------|--------|-----------|-----|----------|
| REV | DESCRIPTION | ECH | DATE | BY | APPROVED |
| A | ADDED NOTE ABOUT RAISED BUMPERS | 08-009 | 3/28/08 | GDB | |
| B | ADDED "FOR REFERENCE ONLY" NOTE | 11-010 | 3/29/2011 | GDB | |
| C | UPDATED LOGO AND TITLE BLOCK | 14-006 | 3/31/2014 | GDB | |



*NOTE:
VERTICAL SQUARE TUBING ON SIDE MEMBER IS TIED INTO FRONT BAR OF HEADER WITH SPECIAL CONNECTOR

- NOTES:
- 1) VARIOUS FABRIC OPTIONS AVAILABLE ON C4 STYLE HEAD CURTAIN & SIDE CURTAINS
 - 2) RECOMMENDED TRUCK COVERAGE: 3886mm TO 4115mm HIGH X 2438mm TO 2591mm WIDE
 - 3) 508mm MINIMUM PROJECTION
 - 4) 3375mm IS ONLY AVAILABLE WIDTH
 - 5) AVAILABLE UP TO 607mm MAX. PROJECTION WITH V-FLOW HEADER
 - 6) AVAILABLE TAPERS ARE 76mm & 152mm ONLY
 - 7) AVAILABLE DOCK HEIGHTS ARE 610mm MIN. TO 1524mm MAX.
 - 8) APPLICATIONS THAT HAVE BUMPERS MOUNTED ABOVE DOCK HEIGHT (OR ABOVE THE PIT FLOOR IN VERTICAL LEVELER APPLICATIONS) MAY REQUIRE THAT THE BOTTOM OF THE SIDE MEMBERS BE MOUNTED AT THE TOP OF THE BUMPERS INSTEAD OF AT DOCK HEIGHT.

THIS DRAWING IS FOR REFERENCE ONLY. DO NOT USE FOR PRODUCTION PURPOSES.

| INCH TOLERANCES | | | DO NOT SCALE DRAWING | |
|---------------------|-------|-------|----------------------|-----------|
| OVER | UP TO | + / - | DATE | DATE |
| 0 | 0.125 | 0.005 | MM-DD-YY | |
| 0.125 | 0.25 | 0.010 | DRAWN BY | 8/24/2007 |
| 0.25 | 1.25 | 0.020 | GDB | |
| 1.25 | 5 | 0.030 | CHECKED BY | |
| 5 | 15 | 0.040 | DATE | |
| 15 | 40 | 0.050 | APPROVED BY | |
| 40 | 80 | 0.100 | DATE | |
| 80 | - | 0.125 | INITIAL ECH | |
| ANGLES 1/2° - 1 DEG | | | DATE ISSUED | |
| FINISH NONE | | | REF | |

| ITEM | QTY | PART NO. | DESCRIPTION |
|---|--------------|----------|--------------|
| PARTS LIST / MATERIAL | | | |
| RITE-HITE ENVIRONMENTAL ENCLOSURES CORP. | | | |
| TITLE | | | |
| 450S SURVIVOR (METRIC) STD 508mm PROJECTION UNIT WITH V-FLOW HEADER | | | |
| SIZE | MODEL NUMBER | DWG NO | REV |
| C | 450S | A7120094 | C |
| SCALE 1/2"=1' | | | SHEET 1 of 1 |

4

3

2

1

DWG NO A7120094 SHEET 1 of 1