

4

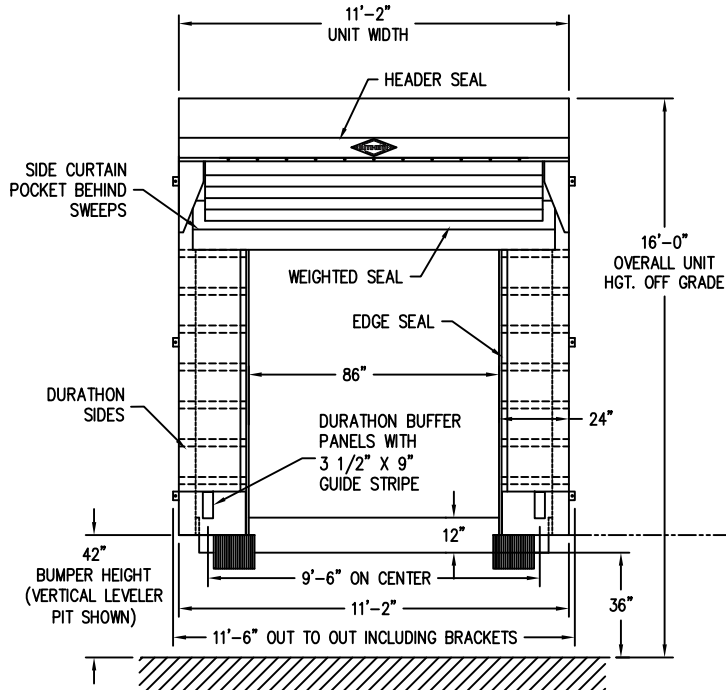
3

2

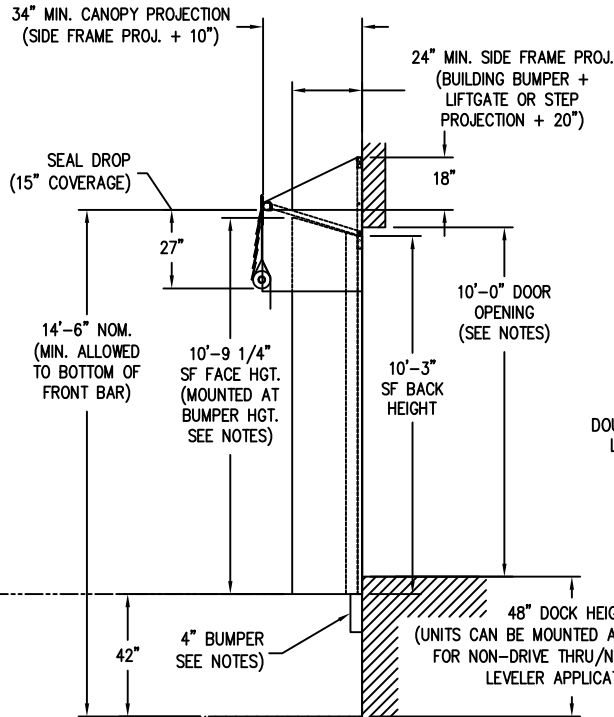
1

NEXT ASSEMBLY

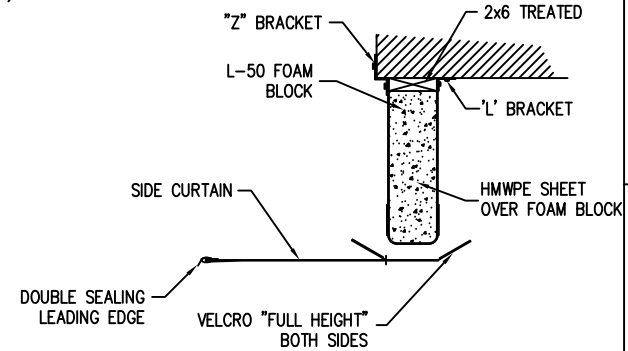
REVISION HISTORY					
REV	DESCRIPTION	ECH	DATE	BY	APPROVED



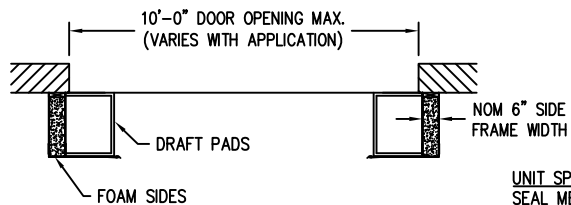
ELEVATION



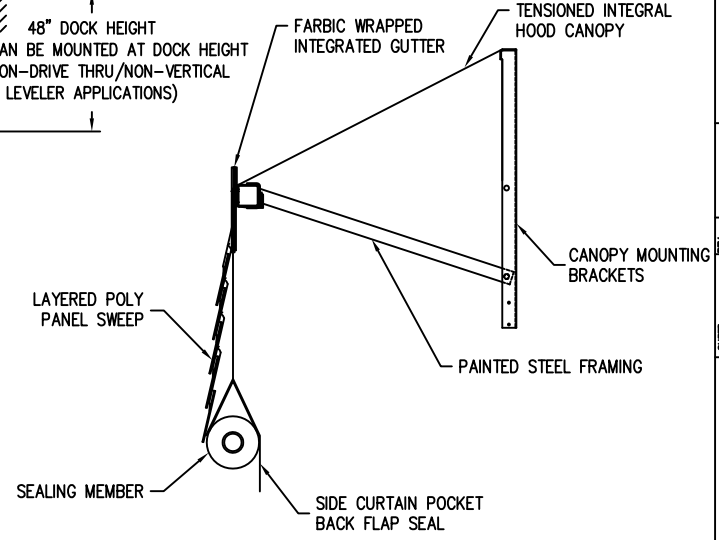
RIGHT SIDE ELEV.



SIDE FRAME DETAILS



SECTION THRU PLAN



SEAL DETAILS

UNIT SPECIFICATIONS:
 SEAL MEMBER: F114 22 PLUS, BLACK
 SIDE FRAME: F114 22 PLUS, BLACK
 SIDE CURTAIN: F510, BLACK DURATHON
 TRUCK COVERAGE SHOWN: 12' 3" - 13 6"

NOTES:
 - APPLICATIONS THAT HAVE BUMPERS MOUNTED ABOVE DOCK HEIGHT (OR ABOVE THE PIT FLOOR IN VERTICAL LEVELER APPLICATIONS) MAY REQUIRE THAT THE BOTTOM OF THE SIDE MEMBERS BE MOUNTED AT THE TOP OF THE BUMPERS INSTEAD OF AT DOCK HEIGHT.
 - VERTICAL LEVELER APPLICATION SHOWN ABOVE.
 - MAXIMUM DOOR OPENING BASED ON CANOPY TYPE. CONSULT APPLICATIONS.
 - THIS MODEL APPLICABLE FOR DRIVE THRU AND NON-DRIVE THRU APPLICATIONS. CONSULT APPLICATIONS.
 - LEVEL GRADE REQUIRED FOR DRIVE THRU APPLICATIONS.
 - 20" MIN. TRAILER PENETRATION

THIS DRAWING IS FOR REFERENCE ONLY. DO NOT USE FOR PRODUCTION PURPOSES.

RICH TOLERANCES			DO NOT SCALE DRAWING	
OVER	UP TO	+ / -	MM-DD-YY	DATE
0	0.125	0.005	MM-DD-YY	12/15/2014
0.125	0.25	0.010	DRAWN BY	CJD
0.25	1.25	0.020	CHECKED BY	DATE
1.25	5	0.030	APPROVED BY	DATE
5	15	0.040	INITIAL ECH	14-013
15	40	0.050	DATE ISSUED	3/10/2015
40	80	0.100	REF	
80	-	0.125		

ITEM	QTY	PART NO.	DESCRIPTION
PARTS LIST / MATERIAL			
RITE-HITE ENVIRONMENTAL ENCLOSURES CO.			
ARCHITECTURAL APPROVAL INTEGRAL HOOD ECLIPSE NH DOCK SHELTER			
SIZE	MODEL NUMBER	DWG NO	REV
C	620NH	A7120144	

SHEET 1 of 1 DWG NO A7120144

4

3

2

1

SHEET 1 of 1