

4

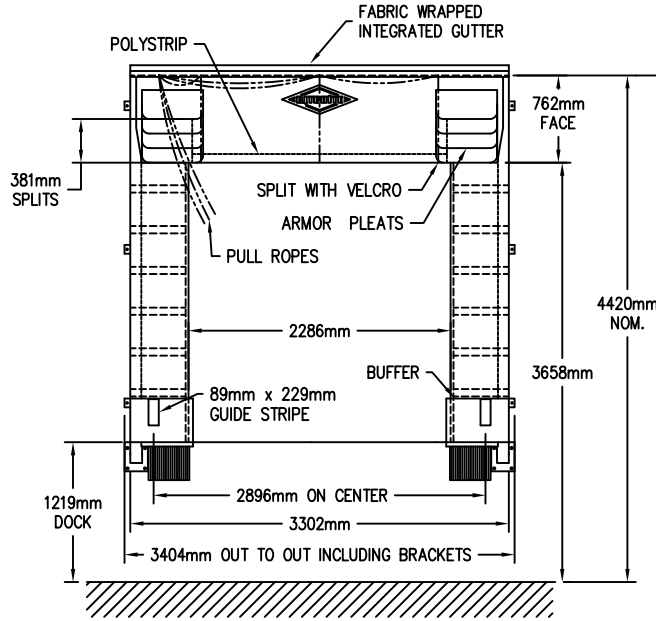
3

2

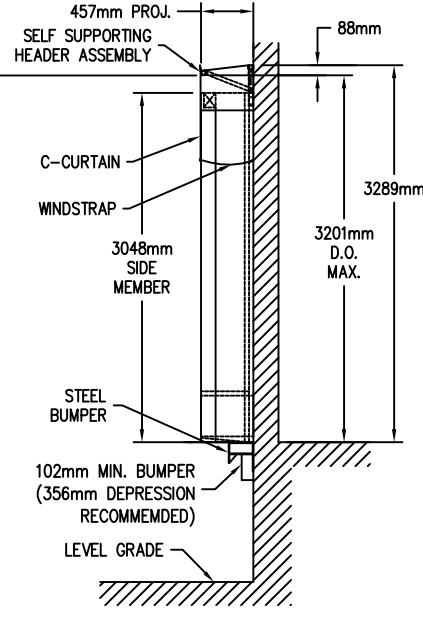
1

NEXT ASSEMBLY

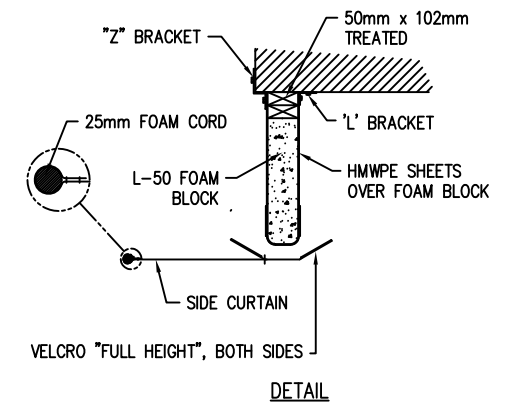
REVISION HISTORY					
REV	DESCRIPTION	ECH	DATE	BY	APPROVED
A	ADDED NOTE ABOUT RAISED BUMPERS	08-009	3/26/08	GDB	
B	ADDED "FOR REFERENCE ONLY" NOTE	11-010	3/29/2011	GDB	
C	UPDATED LOGO AND TITLE BLOCK	14-006	3/31/2014	GDB	



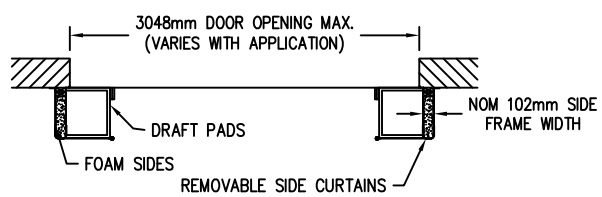
ELEVATION



RIGHT SIDE ELEV.



DETAIL



SECTION THRU PLAN

C STYLE CURTAIN: F114 22 PLUS, BLACK  
 SIDE FRAME: F114 22 PLUS, BLACK  
 SIDE CURTAIN: F114 22 PLUS, BLACK  
 RECOMMENDED TRUCK COVERAGE: 3810mm - 4115mm HIGH X 2438mm - 2591mm WIDE

NOTE:  
 APPLICATIONS THAT HAVE BUMPERS MOUNTED ABOVE DOCK HEIGHT (OR ABOVE THE PIT FLOOR IN VERTICAL LEVELER APPLICATIONS) MAY REQUIRE THAT THE BOTTOM OF THE SIDE MEMBERS BE MOUNTED AT THE TOP OF THE BUMPERS INSTEAD OF AT DOCK HEIGHT.

THIS DRAWING IS FOR REFERENCE ONLY. DO NOT USE FOR PRODUCTION PURPOSES.

INCH TOLERANCES			DO NOT SCALE DRAWING	
OVER	UP TO	+ / -	DATE	MM-DD-YY
0	0.125	0.005	8/24/2007	
0.125	0.25	0.010		
0.25	1.25	0.020		
1.25	5	0.030		
5	15	0.040		
15	40	0.050		
40	80	0.100		
80	-	0.125		

PARTS LIST / MATERIAL			
ITEM	QTY	PART NO.	DESCRIPTION
RITE-HITE ENVIRONMENTAL ENCLOSURES CORP.			
ARCHITECTURAL APPROVAL (METRIC)			
610E SERIES SHELTER			
ELIMINATOR II - 102mm BACKERS			
SIZE	MODEL NUMBER	DWG NO	REV
C	610E	A7120092	C
SCALE 3/8"=1'		PART #	SHEET 1 of 1

DWG NO A7120092 SHEET 1 of 1