

4

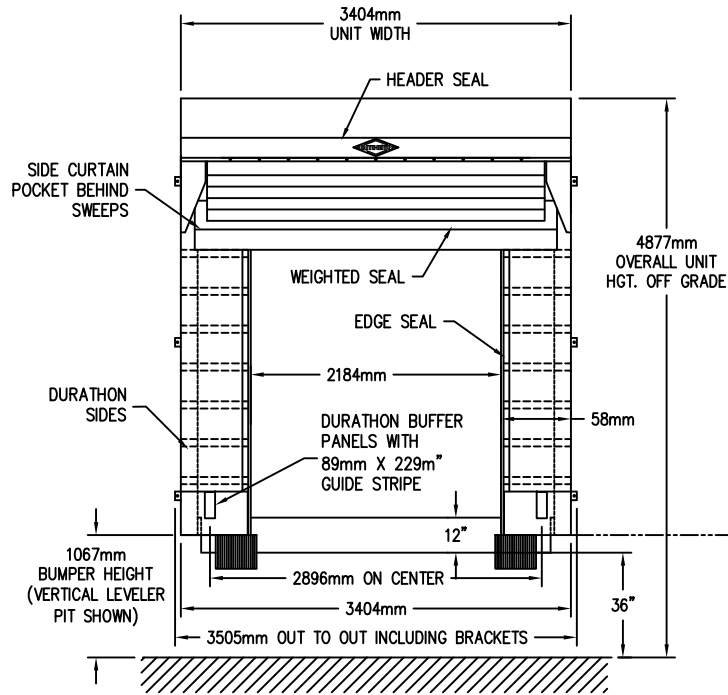
3

2

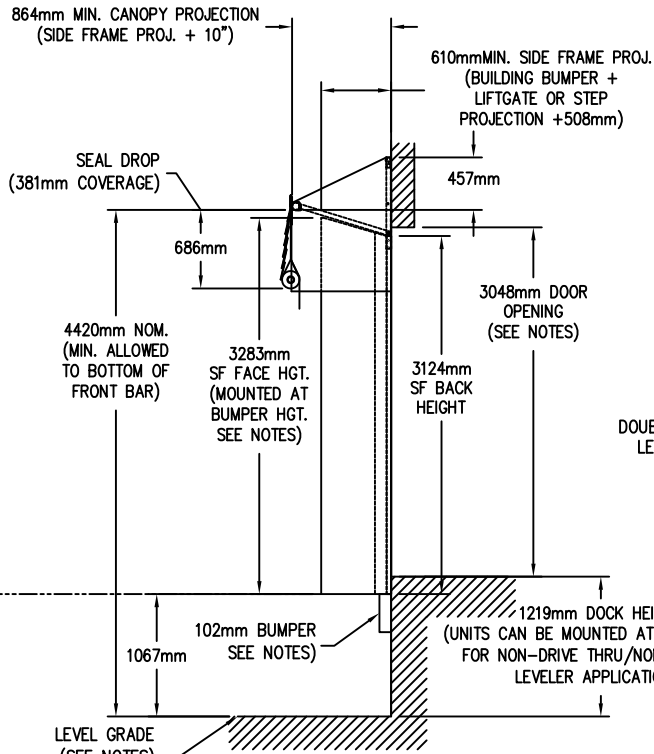
1

NEXT ASSEMBLY

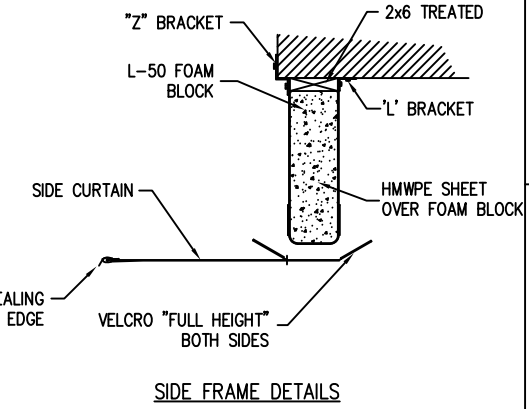
REVISION HISTORY					
REV	DESCRIPTION	ECH	DATE	BY	APPROVED



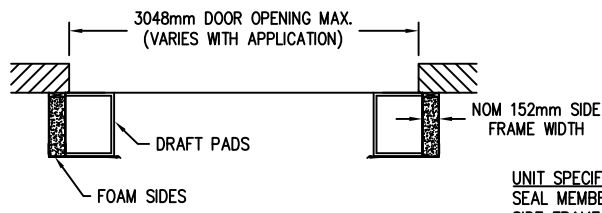
ELEVATION



RIGHT SIDE ELEV.



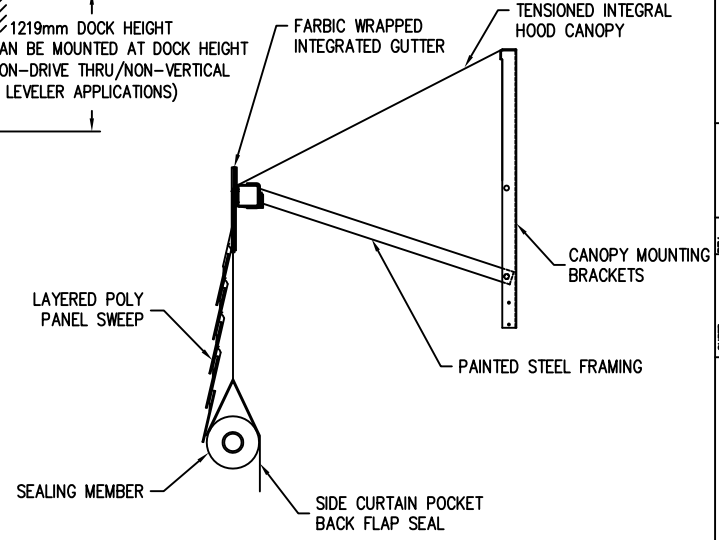
SIDE FRAME DETAILS



SECTION THRU PLAN

**UNIT SPECIFICATIONS:**  
 SEAL MEMBER: F114 22 PLUS, BLACK  
 SIDE FRAME: F114 22 PLUS, BLACK  
 SIDE CURTAIN: F510, BLACK DURATHON  
 TRUCK COVERAGE SHOWN: 3734mm - 4115mm

- NOTES:**
- APPLICATIONS THAT HAVE BUMPERS MOUNTED ABOVE DOCK HEIGHT (OR ABOVE THE PIT FLOOR IN VERTICAL LEVELER APPLICATIONS) MAY REQUIRE THAT THE BOTTOM OF THE SIDE MEMBERS BE MOUNTED AT THE TOP OF THE BUMPERS INSTEAD OF AT DOCK HEIGHT.
  - VERTICAL LEVELER APPLICATION SHOWN ABOVE.
  - MAXIMUM DOOR OPENING BASED ON CANOPY TYPE. CONSULT APPLICATIONS.
  - THIS MODEL APPLICABLE FOR DRIVE THRU AND NON-DRIVE THRU APPLICATIONS. CONSULT APPLICATIONS.
  - LEVEL GRADE REQUIRED FOR DRIVE THRU APPLICATIONS.
  - 508mm MIN. TRAILER PENETRATION



SEAL DETAILS

ITEM	QTY	PART NO.	DESCRIPTION
PARTS LIST / MATERIAL			

RICH TOLERANCES			DO NOT SCALE DRAWING		
OVER	UP TO	+ / -	MM-DD-YY		
0	0.125	0.005	DATE 12/15/2014		
0.125	0.25	0.010	DRAWN BY	CJD	
0.25	1.25	0.020	CHECKED BY	DATE	
1.25	5	0.030	APPROVED BY	DATE	
5	15	0.040	INITIAL ECH 14-013		
15	40	0.050	DATE ISSUED 3/10/2015		
40	80	0.100	REF		
80	-	0.125	SCALE 3/8"=1'		

**RITE-HITE ENVIRONMENTAL ENCLOSURES CO.**

ARCHITECTURAL APPROVAL INTEGRAL HOOD (METRIC) ECLIPSE NH DOCK SHELTER

SIZE C MODEL NUMBER 620NH DWG NO A7120146

SCALE 3/8"=1' PART # SHEET 1 of 1

THIS DRAWING IS FOR REFERENCE ONLY. DO NOT USE FOR PRODUCTION PURPOSES.

4

3

2

1

SHEET 1 of 1 DWG NO A7120146