

4

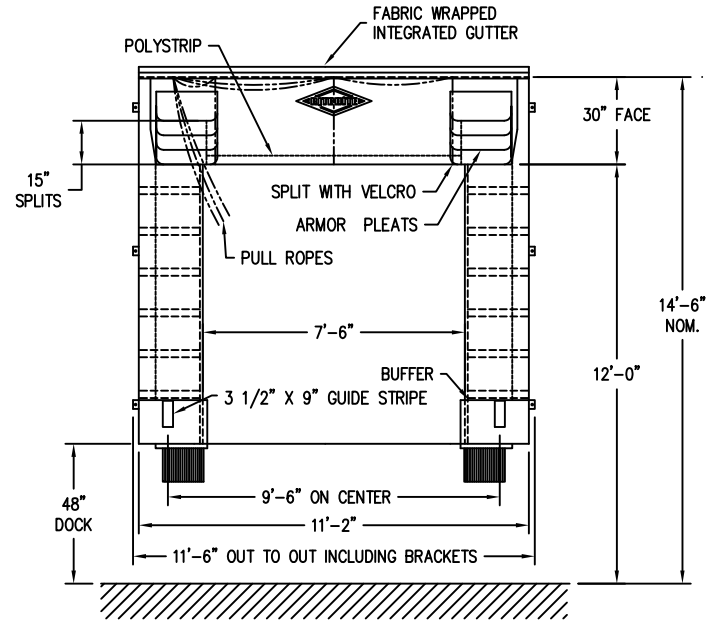
3

2

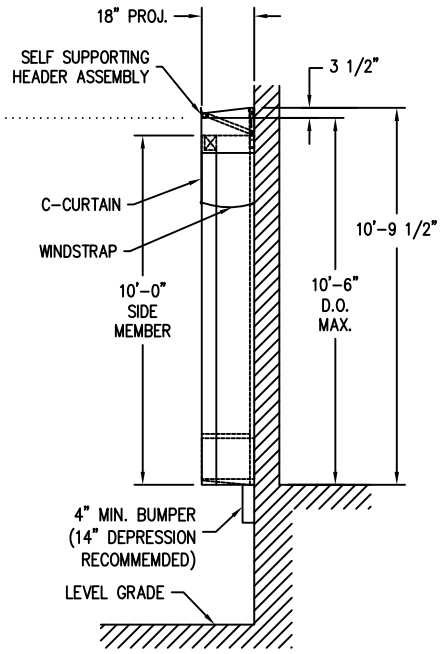
1

NEXT ASSEMBLY

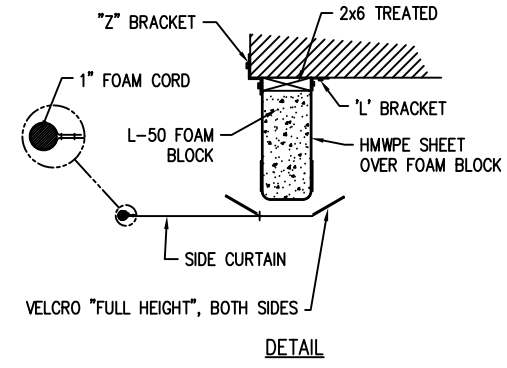
REVISION HISTORY					
REV	DESCRIPTION	ECH	DATE	BY	APPROVED
B	ADDED NOTE ABOUT RAISED BUMPERS	08-009	3/26/08	GDB	
C	ADDED "FOR REFERENCE ONLY" NOTE	11-010	3/29/2011	GDB	
D	UPDATED LOGO AND TITLEBLOCK	14-006	3/28/2014	GDB	



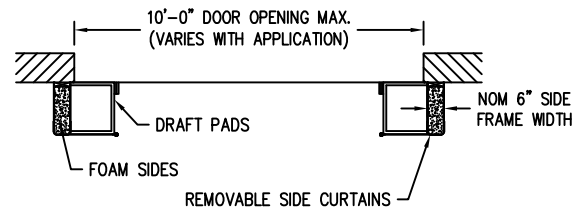
ELEVATION



RIGHT SIDE ELEV.



DETAIL



SECTION THRU PLAN

C STYLE CURTAIN: F114 22 PLUS, BLACK  
 SIDE FRAME: F114 22 PLUS, BLACK  
 SIDE CURTAIN: F114 22 PLUS, BLACK  
 RECOMMENDED TRUCK COVERAGE: 12'-6" - 13'-6" HIGH  
 X 8'-0" - 8'-6" WIDE

NOTE:  
 APPLICATIONS THAT HAVE BUMPERS MOUNTED ABOVE DOCK HEIGHT (OR ABOVE THE PIT FLOOR IN VERTICAL LEVELER APPLICATIONS) MAY REQUIRE THAT THE BOTTOM OF THE SIDE MEMBERS BE MOUNTED AT THE TOP OF THE BUMPERS INSTEAD OF AT DOCK HEIGHT.

THIS DRAWING IS FOR REFERENCE ONLY. DO NOT USE FOR PRODUCTION PURPOSES.

INCH TOLERANCES			DO NOT SCALE DRAWING	
OVER	UP TO	+ / -	MM-DD-YY	
0	0.125	0.005	MM-DD-YY	
0.125	0.25	0.010	DRAWN BY	CJD
0.25	1.25	0.020	DATE	6/4/04
1.25	5	0.030	CHECKED BY	
5	15	0.040	DATE	
15	40	0.050	APPROVED BY	
40	80	0.100	DATE	
80	-	0.125	INITIAL ECH	04-010
ANGLES	± / -	T. DEC	DATE ISSUED	5/27/04
FINISH	NONE		REF	

ITEM	QTY	PART NO.	DESCRIPTION
PARTS LIST / MATERIAL			
RITE-HITE ENVIRONMENTAL ENCLOSURES CORP.			
TITLE			
ARCHITECTURAL APPROVAL			
610E SERIES SHELTER			
ELIMINATOR II - 6" BACKERS			
SZ	MODEL NUMBER	DWG NO	REV
C	610E	A7120058	D
SCALE 3/8"=1'			SHEET 1 of 1

DWG NO A7120058 SHEET 1 of 1 REV D

4

3

2

1