

COLD-STORAGE DOORS

Simple design and easy choice for almost any opening

Available with a standard lift, high lift, full vertical and custom configurations, FasTrax fits almost any opening with fewer costly building modifications

Reinventing the wheel

The heart of every FasTrax door, the Traxion Drive System powers the door up and down without the need for counterweights, springs or pulleys

Maximum uptime, minimum maintenance

Fewer moving parts mean reliable, trouble-free performance and low lifetime ownership cost

Industry's highest operating speeds

Operating speeds up to 100" per second allows fast cycle times that increase productivity and maximize energy savings

True Auto Re-feed™

After an accidental impact, the FasTrax door re-feeds itself on the fly without human intervention, keeping your freezer door closed and downtime to a minimum

Industry's safest door

Thanks to Soft-Edge™ Technology, two thru-beam photo eyes and optional VirtualVision, I-Zone™ infrared sensors and non-powered opening

Superior full-perimeter seal

Reduces the need for heat lamps and air curtains which can be costly to operate



FASTRAX® HIGH-SPEED, HIGH-PERFORMANCE COLD-STORAGE DOORS.

Combining the unique Thermal Air™ System with the InsulMax R-4 curtain provides an innovative, energy-efficient high-performance freezer door. The choice is easy.



Thermal Air seal



InsulMax curtain



Standard lift configuration

Speed

Up to 100"/sec with standard variable-frequency drive.
Top speed is dependent on door size.

Size

Minimum – 5' wide x 8' high (1524 mm x 2440 mm)
Maximum – 10' wide x 16' high (3048 mm x 4876 mm)

Curtain material

InsulMax – 1" of polyester insulation placed between two layers of 27 oz. fabric.

Side frames

Powder-coated aluminum extrusion, 4-1/2" wide x 4-3/4" projection.

Drive system

2-HP motor, variable-frequency drive, cushioned motor mounts, Traxion Drive System – consisting of a drive gear, drive spheres and a composite-edge material which is attached to the curtain.

Electrical requirements

Single-phase: 220V - 240V
Three-phase: 208V, 230V, 400V, 460V, 575V

Control box

i-COMM™ Digital Controller, variable-frequency drive.

Curtain retention

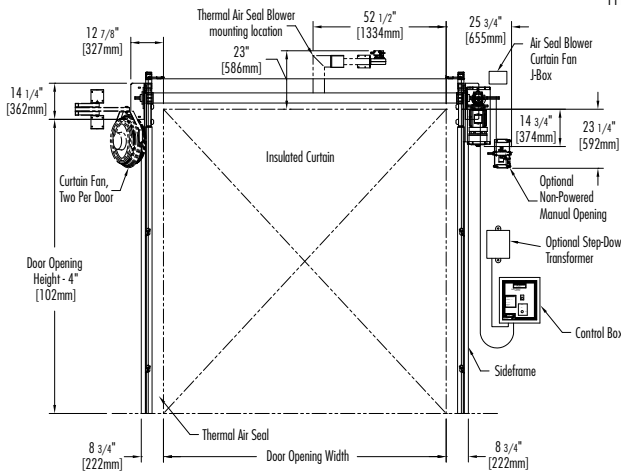
Wear-resistant Lexan wind guides keep tension on the curtain the entire length of the side frame. Standard wind pressure of 25 mph (0.3 in-H₂O, 50 pascals) Includes TRUE Auto Re-feed system in case of accidental impacts to curtain.

Safety features

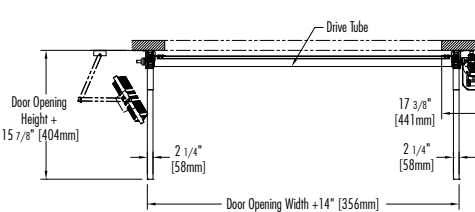
Soft-Edge™ Technology, two thru-beam photo eyes mounted at 18" and 54" off the floor.

Warranty

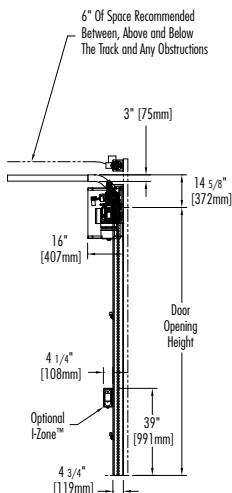
Limited one-year parts and labor on all components, including electrical. Rite Hite Doors also offers an exclusive one-year money-back guarantee of customer satisfaction.



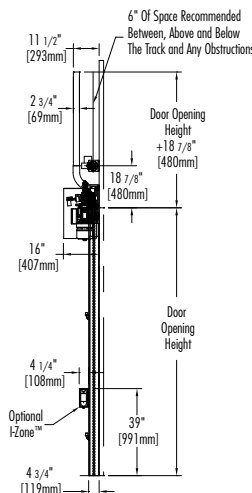
STANDARD LIFT



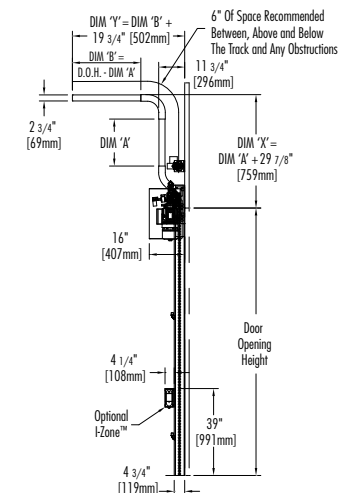
STANDARD LIFT



VERTICAL LIFT



HIGH LIFT



8900 North Arbon Drive Milwaukee, WI 53223 USA (414) 355-2600 (800) 456-0600 FAX: (414) 355-9248
Mailing Address: Rite-Hite P.O. Box 245020 Milwaukee, WI 53224 USA

www.ritehite.com www.ritehitedoors.com