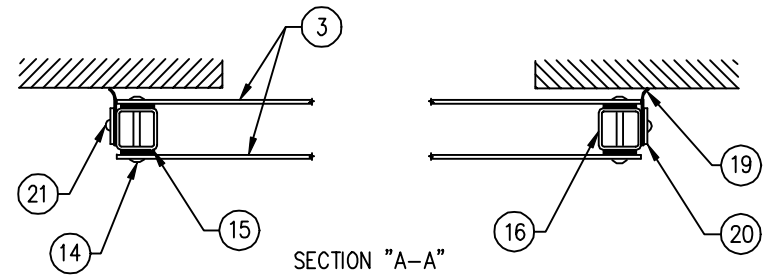
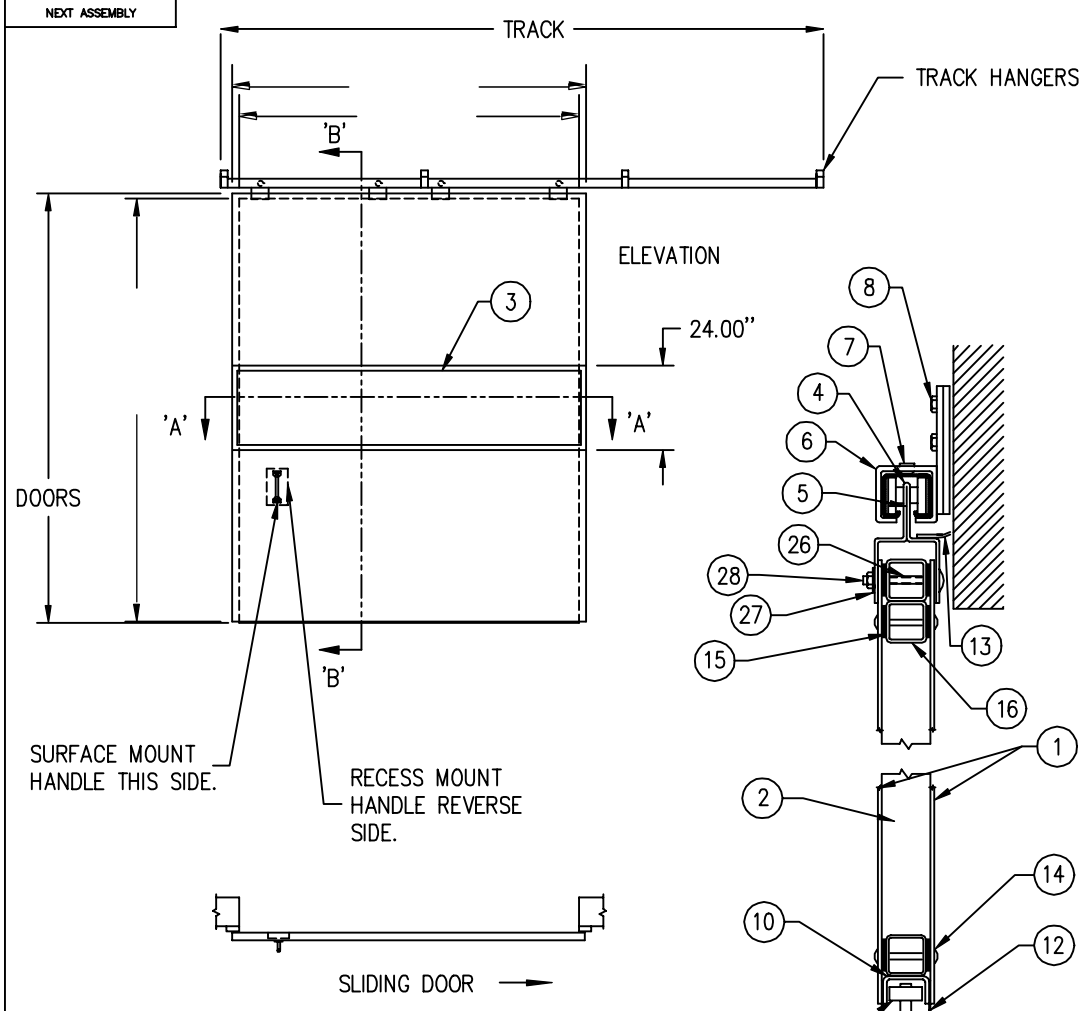
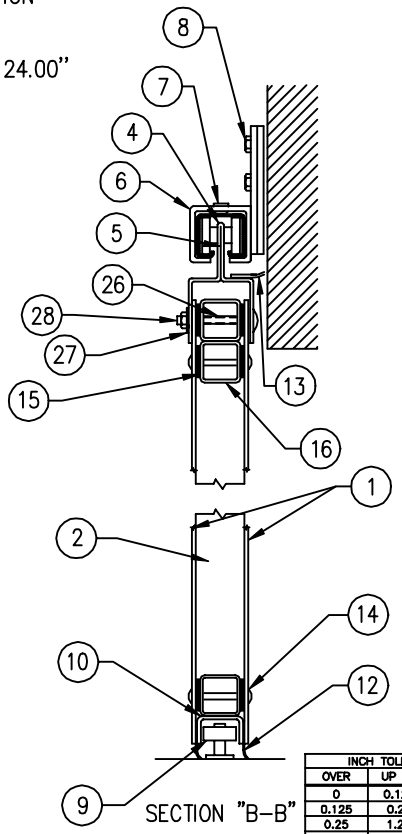


REVISION HISTORY					
REV	DESCRIPTION	ECN	DATE	BY	APPROVED
		-			



COLOR: TO BE SELECTED.

ITEM	QTY	PART NO.	DWG. NO.	DESCRIPTION
28	-	-	-	TROLLEY MOUNTING NUT
27	-	-	-	TROLLEY MOUNTING LOCK WASHER
26	-	-	-	TROLLEY MOUNTING BOLT
21	-	-	-	AIR SEAL MOUNTING SCREW
20	-	-	-	AIR SEAL MOUNTING STRIP
19	-	-	-	SIDE AIR SEAL
16	-	-	-	1 1/4" SQUARE STEEL TUBING
15	-	-	-	CLOSED CELL TAPE
14	-	-	-	RIVETS
13	-	-	-	HEADER AIR SEAL
12	-	-	-	FLOOR AIR SEAL
10	-	-	-	FLOOR GUIDE TRACK
9	-	-	-	FLOOR ROLLER GUIDE
8	-	-	-	HEX HEAD MOUNTING BOLT
7	-	-	-	TRACK HANGER SET SCREW
6	-	-	-	TRACK HANGER
5	-	-	-	TROLLEY
4	-	-	-	TRACK - 12 GA
3	-	-	-	1/8" THICK POLYCARBONATE VISION PANELS
2	-	-	-	POLYSTYRENE INSULATING CORE
1	-	-	-	DOOR FACING - 1/8" THICK ABS



INCH TOLERANCES			DO NOT SCALE DRAWING	
OVER	UP TO	+ / -	DATE	MM-DD-YY
0	0.125	0.005	DRAWN BY	JTD
0.125	0.25	0.010	DATE	02/09/1999
0.25	1.25	0.020	CHECKED BY	DATE
1.25	5	0.030	APPROVED BY	DATE
5	15	0.040	INITIAL ECH	
15	40	0.060	DATE ISSUED	
40	80	0.100	REF	
80	-	0.125		

RITE-HITE[®] DOORS INC.

TITLE
ARCHITECTURAL APPROVAL
4800, SLIDER, SINGLE

SIZE	MODEL NUMBER	DWG NO	REV
B	4800	2201A007	-

SCALE 1/4" = 1' PART # SHEET 1