

4

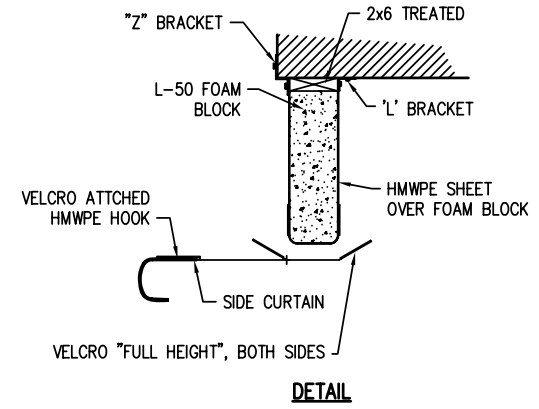
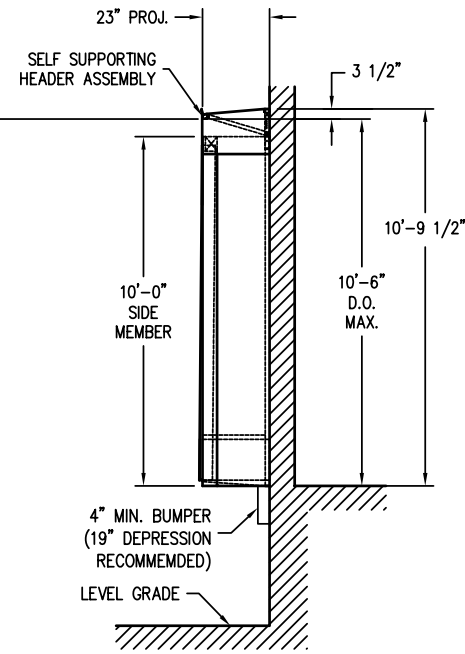
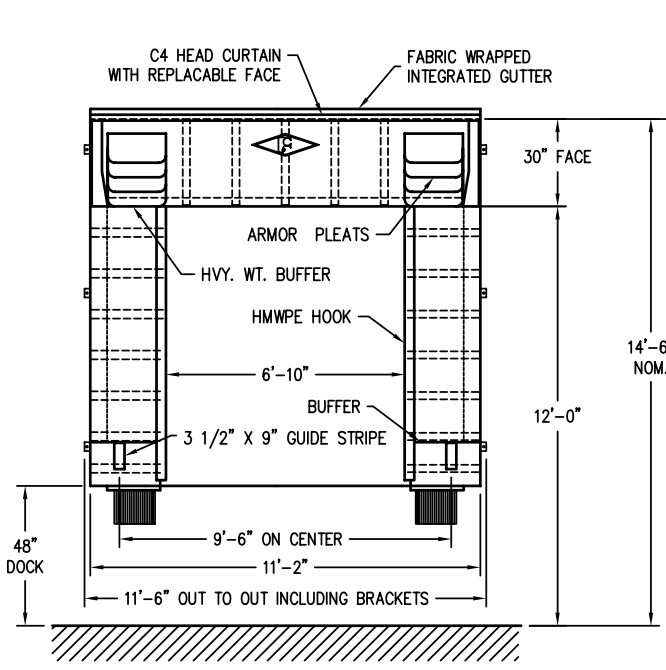
3

2

1

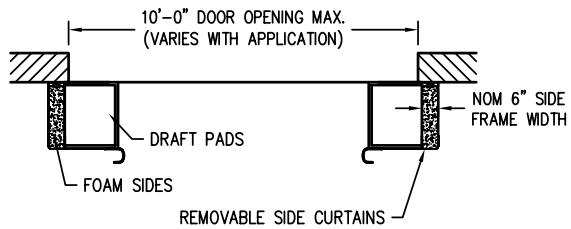
NEXT ASSEMBLY

REVISION HISTORY					
REV	DESCRIPTION	ECH	DATE	BY	APPROVED
A	UPDATED TITLE BLOCK DESCRIPTION	05-003	1/31/05	CJD	
B	ADDED NOTE ABOUT RAISED BUMPERS	08-009	3/26/08	GDB	
C	ADDED "FOR REFERENCE ONLY" NOTE	11-010	3/29/2011	GDB	



C4 STYLE CURTAIN: F119 40V, BLACK
 SIDE FRAME: F114 22 PLUS, BLACK
 SIDE CURTAIN: F119 40V, BLACK
 RECOMMENDED TRUCK COVERAGE: 12'-6" - 13'-6" HIGH
 X 8'-0" - 8'-6" WIDE

NOTE:
 APPLICATIONS THAT HAVE BUMPERS MOUNTED ABOVE DOCK HEIGHT (OR ABOVE THE PIT FLOOR IN VERTICAL LEVELER APPLICATIONS) MAY REQUIRE THAT THE BOTTOM OF THE SIDE MEMBERS BE MOUNTED AT THE TOP OF THE BUMPERS INSTEAD OF AT DOCK HEIGHT.



THIS DRAWING IS FOR REFERENCE ONLY. DO NOT USE FOR PRODUCTION PURPOSES.

INCH TOLERANCES			DO NOT SCALE DRAWING	
OVER	UP TO	+ / -	MM-DD-YY	DATE
0	0.125	0.005	MM-DD-YY	6/4/04
0.125	0.25	0.010	DRAWN BY	CJD
0.25	1.25	0.020	CHECKED BY	
1.25	5	0.030	APPROVED BY	
5	15	0.040	DATE ISSUED	5/27/04
15	40	0.050	INITIAL ECH	04-010
40	80	0.100	DATE	
80	-	0.125	REF	

ITEM	QTY	PART NO.	DESCRIPTION
PARTS LIST / MATERIAL			
FROMMELT PRODUCTS CORP.			
ARCHITECTURAL APPROVAL 610G SERIES SHELTER ELIMINATOR-GAPMASTER II - 6" BACKERS			
SIZE	MODEL NUMBER	DWG NO.	REV
C	610G	A7120059	C
SCALE 3/8" = 1'			SHEET 1 of 1

4

3

2

1

DWG NO. A7120059 SHEET 1 of 1