

REVISION HISTORY				
REV	DESCRIPTION	ECN	DATE	BY
A	ADD DRIVE SHROUD NOTATION	3316	9/5/2001	LJW
B	ADD I-ZONE DIMENSIONS	4032	2/6/2003	RRB

MINIMUM 6" REQ'D FOR TOP COVER INSTALLATION

D.O.W. PLUS 20-3/4" FOR ONE-WAY BREAKAWAY

STEEL CANISTER DOOR

ROLLER TUBE

6-1/2" DRIVE SIDE ONLY (LEFT OR RIGHT) ADD'L 6" REQ'D FOR ACCESS

22" DRIVE SHROUD

LIFTING STRAPS

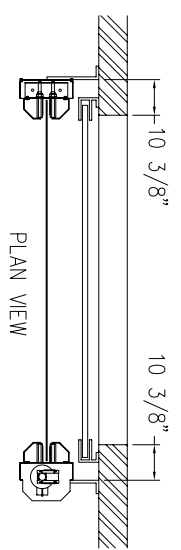
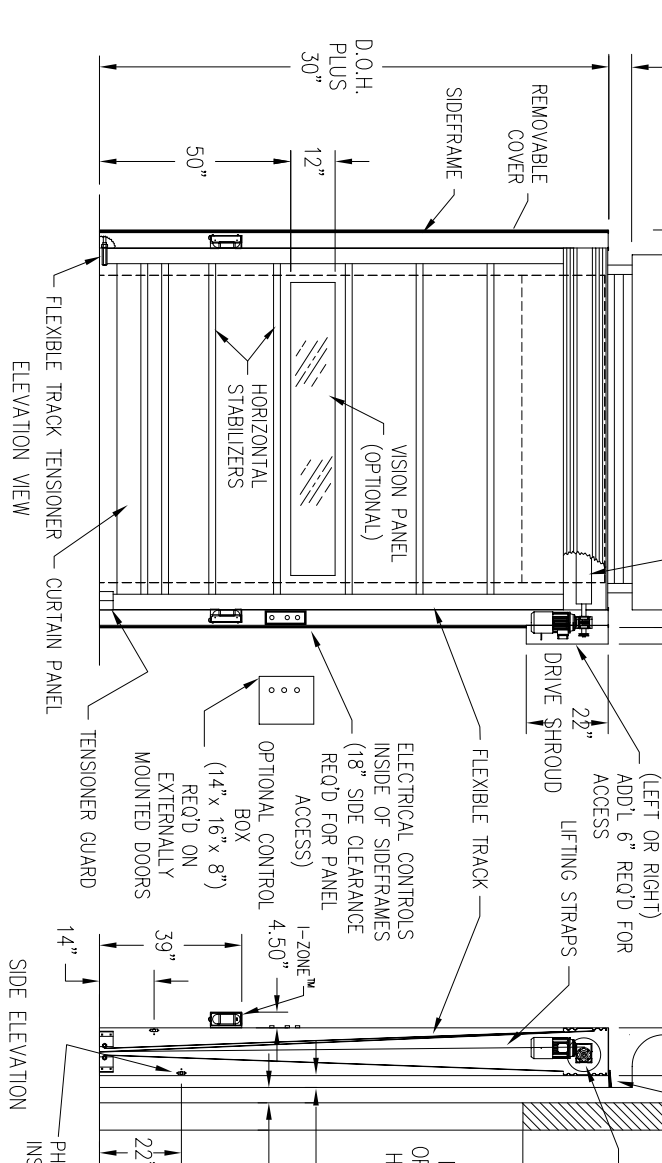
BRUSH SEAL

MOTOR, BRAKE, GEARBOX ASSY. & ROTARY LIMIT

DOOR OPENING HEIGHT

2" NOMINAL VERIFY TRACK PROJECTION

PHOTO-EYES INSIDE SIDEFRAAME



INCH TOLERANCES		DO NOT SCALE DRAWING	
OVER	UP TO	+/-	
0	0.125	0.005	MM-DD-YY
0.125	0.25	0.010	DRAWN BY JMC
0.25	0.5	0.015	DATE 6/8/2000
0.5	1.25	0.020	CHECKED BY
1.25	5	0.030	DATE
5	15	0.040	APPROVED BY
15	40	0.060	DATE
40	80	0.100	INITIAL EGN
80		0.125	DATE ISSUED
ANGLES +/- 1 DEG			REF

PARTS LIST / MATERIAL		DESCRIPTION	
ITEM	QTY	PART NO.	
<p>RTTE-HITE® DOORS INC.</p> <p>ARCHITECTURAL APPROVAL</p> <p>FOLD MODEL 8920</p> <p>SIZE MODEL NUMBER 7818A003</p> <p>SCALE 3/8" = 1" PART #</p>			
SIZE	MODEL NUMBER	DWG NO	REV
B	8920	7818A003	B

SPECIFICATIONS:

DOOR SIZE: MINIMUM SIZE: 5' WIDE x 7' HIGH
 MAXIMUM SIZE: 16' WIDE x 16' HIGH
 DOOR SPEED: OPENING: UP TO 40" PER SECOND
 CLOSING: UP TO 40" PER SECOND

CURTAIN: PVC COATED 22oz. POLYESTER, STANDARD COLORS: BLUE, YELLOW, ORANGE, WHITE, RED AND GREEN. FULL WIDTH 13" HIGH
 NON-REMOVABLE VISION IS OPTIONAL, ALL HEAT-SEAL CONSTRUCTION

SIDEFRAAMES: FORMED 14 GA. STEEL WITH BLACK POLYURETHANE PAINT & BLACK CORRUGATED POLYETHYLENE COVERS

ROLLER TUBE: 4" DIA. x 13 GA. STEEL TUBE MOUNTED ON TWO PRECISION SELF-ALIGNING FLANGE BEARINGS

DRIVE SYSTEM: SHAFT MOUNTED DIRECT DRIVE GEARBOX WITH INTEGRAL 1.0 HP 1650 RPM MOTOR AND BRAKE CONTROLLED BY A RITE-HITE PROGRAMMABLE LOGIC CONTROLLER.

CONTROLS: STANDARD CONTROLS ARE INTEGRAL TO SIDEFRAAME AND INCLUDE E-STOP, OPEN/RESET, AND JOG PUSHBUTTONS. EXTERNALLY MOUNTED DOORS MUST HAVE OPTIONAL SEPARATE CONTROL BOX WHICH MEETS NEMA 4X RATING.

BREAKAWAY SYSTEM: FLEXIBLE TRACK YIELDS TO RELEASE HORIZONTAL STABILIZERS UPON AN IMPACT.

SAFETY FEATURE: TWO REFLECTIVE, REVERSING PHOTO-EYES PROVIDED AS STANDARD MOUNTED INSIDE THE SIDEFRAAME.