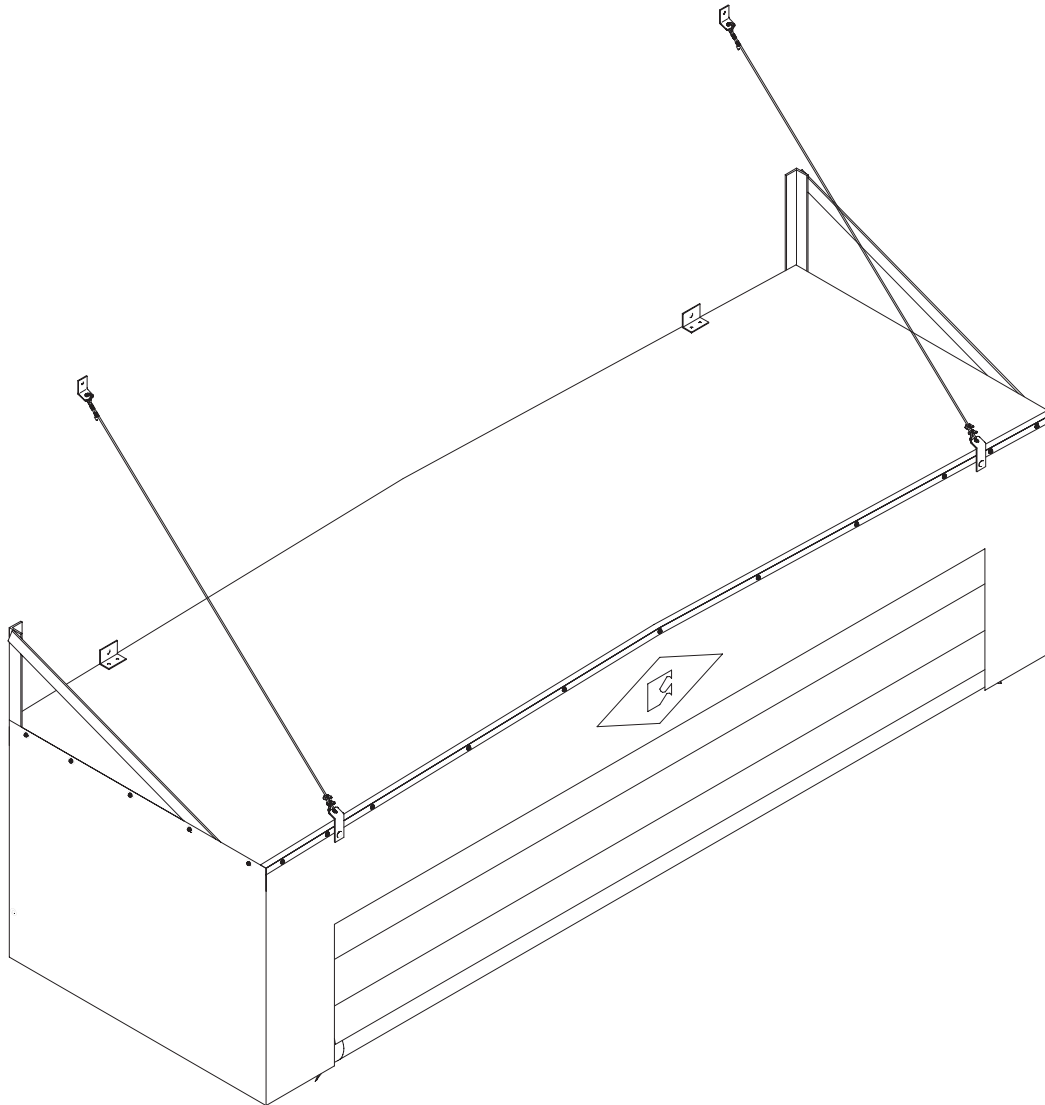

RAINGUARD™

RG3000 WITH RAKED OR FLAT HEADER OPTION



Installation Instructions & Owners Manual

Frommelt Products Corporation
A Rite-Hite Company
8900 North Arbon Drive
P.O. Box 245020
Milwaukee, WI 53224-9520


Table of Contents

General Precautions	3
Introduction	3
Preparation	3
Care & Maintenance	3
Installation Instructions	4
Fastening Methods	7
Exploded View	8
Warranty	12

File Information

Document Name:	RG30-0008
Date Last Revised:	10/18/05
Revision Letter:	A

General Precautions

 WARNING
Post safety warning and barricade work area, at dock level and ground level to prevent unauthorized use of the dock position while service work is being performed..

Introduction

Thank you for purchasing a Frommelt RainGuard. For other applications, please contact your local Frommelt Sales Representative.

The following installation instructions are complete for all standard applications of the RG3000 with the flat or raked header option. These instructions assume that the installer is outside the building facing the loading dock position.

Any application of the RG-3000 that is outside of the normal application guidelines should be referred to Order Engineering for installation instructions.

Preparation

Remove all of the contents from the containers and check for damage. If any of the contents show signs of damage, contact Frommelt Products Corporation or your local sales representative.

Illustrations

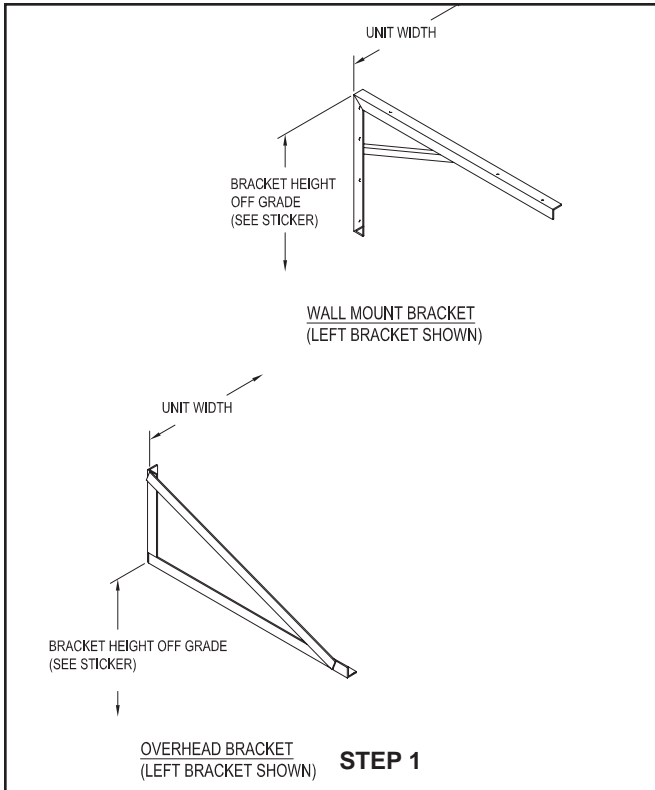
Illustrations for this document are contained on drawing #RG30-0003.

Care & Maintenance

No regular maintenance is required to keep the RainGuard operating efficiently. At times, it may be necessary to remove excess snow buildup from on top of the header. It is also required that the dock approach be clear of snow, wheel chocks, and any other debris that may effectively raise the trailer height.

INSTALLATION INSTRUCTIONS

Installation Procedure of RainGuard RG3000 with Raked or Flat Header Option



1. Install Overhead or Wall Mount Brackets

Measure and mark the building wall for the width of the RainGuard head frame. It should be centered over the existing unit, new equipment unit, or door opening on stand alone units.

Measure and mark the building wall for the vertical height of the brackets. This height can be found on a sticker located on the brackets.

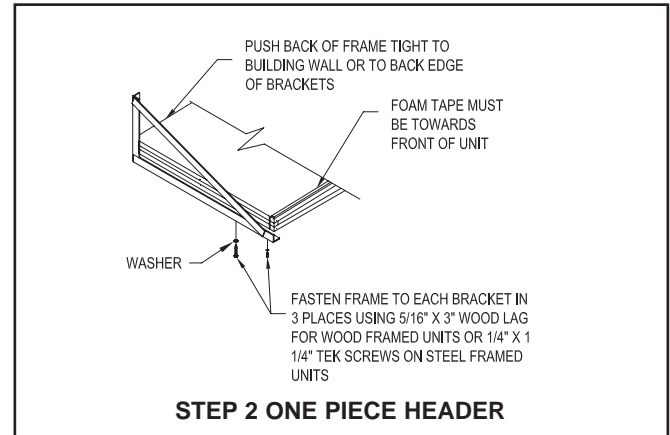
On wall mount brackets, this height designates where the top of the wall mount brackets should be located. On overhead brackets, this height designates where the bottom of the brackets should be located.

Secure the brackets to the wall using the holes provided. Wall mount brackets require a minimum of (4) fasteners per bracket. Overhead brackets require a minimum of (3) fasteners per bracket. See the Fastening Methods section of these installation instructions for more information.

2. Attach Head Frame To Brackets

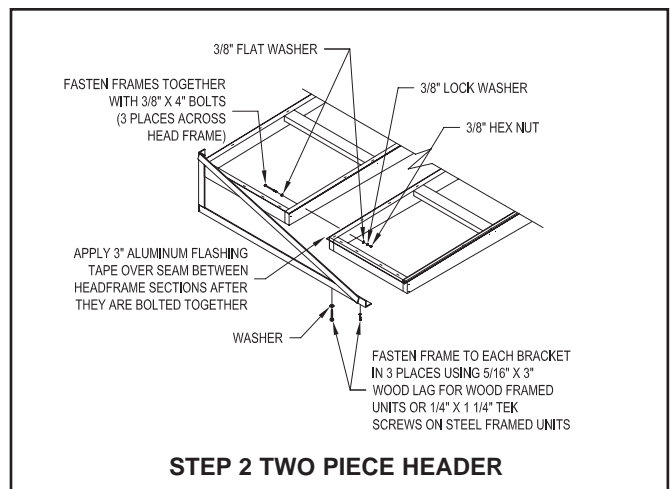
(One piece header)

Set the head frame on the brackets so the sides of the head frame rest on the brackets. Push the head frame tight to the building wall and secure the head frame to the support brackets using the supplied fasteners. For wood head frames, use 5/16" x 3" hex head wood lags and washers. For steel constructed head frames, use 1/4" x 1 1/4" tek screws and washers.



(Two piece header)

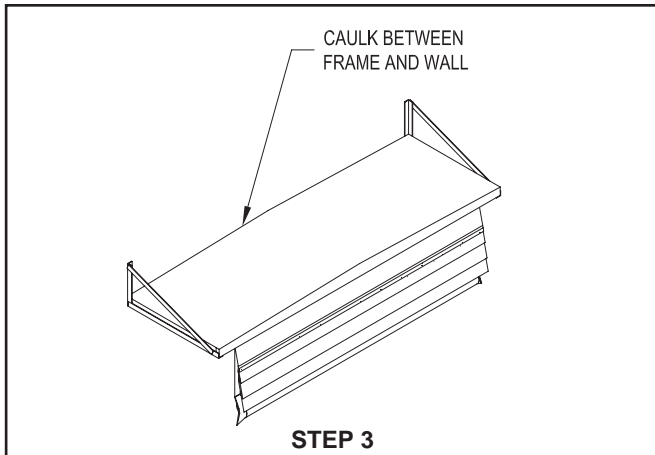
Set the two sections of head frame on the mounting brackets so the sides of the frames rest on the brackets. The section without the foam tape goes nearest the building wall, with the pre drilled holes facing the front of the unit. The other section goes on in front of the first section, foam tape towards the front of the unit. Secure the two sections together in three locations with the 3/8" x 4" bolts that are attached to the front section of the head frame.



INSTALLATION INSTRUCTIONS

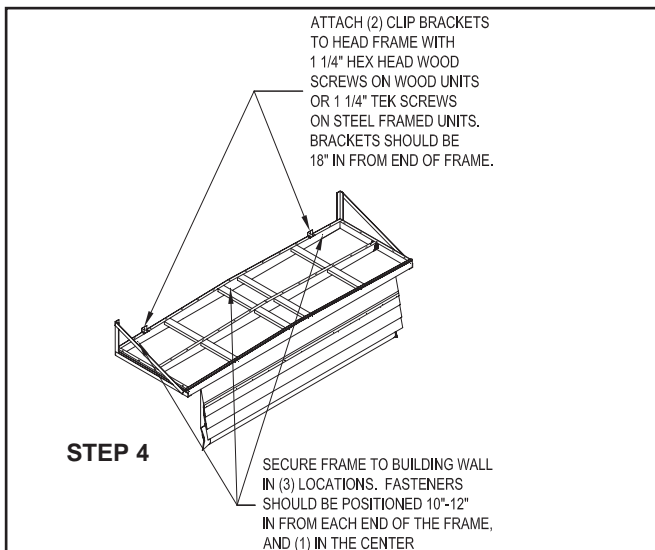
Once the sections are connected together, the frame can be secured to the brackets with the supplied fasteners. For wood head frames, use 1/4" x 1-1/4" tek screws and washers. Next, apply the 3" wide "flashing tape" over the seam between the two sections of the head frame. The sheathing must be clean and dry before applying the "flashing tape". Trim to length as needed and push down firmly all along the joint.

3. Caulk between frame and wall



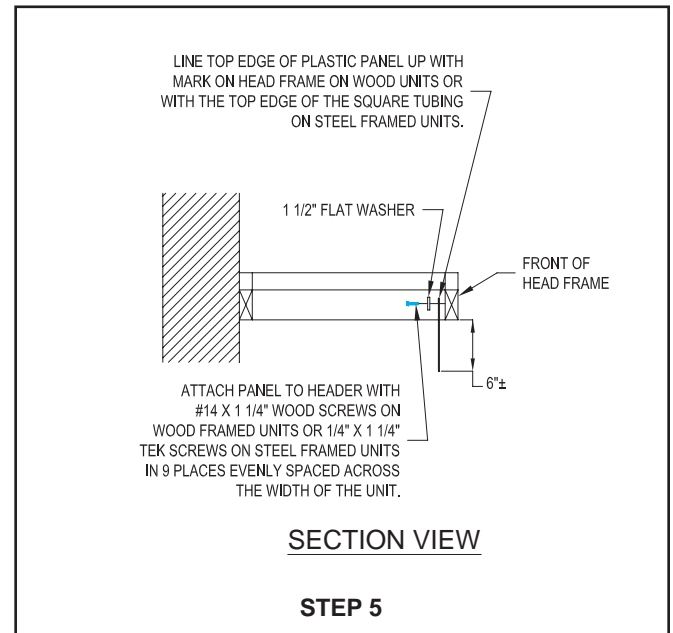
4. Secure the frame to the building wall

The frame must be secured to the building wall with a minimum of (2) clip brackets OR with a minimum of (3) fasteners through the head frame backer. Clip brackets should be positioned approximately 18" in from each end. When fastening through the head frame backer, there should be (1) fastener in the center and (1) fastener approximately 12" in from each end of the frame.



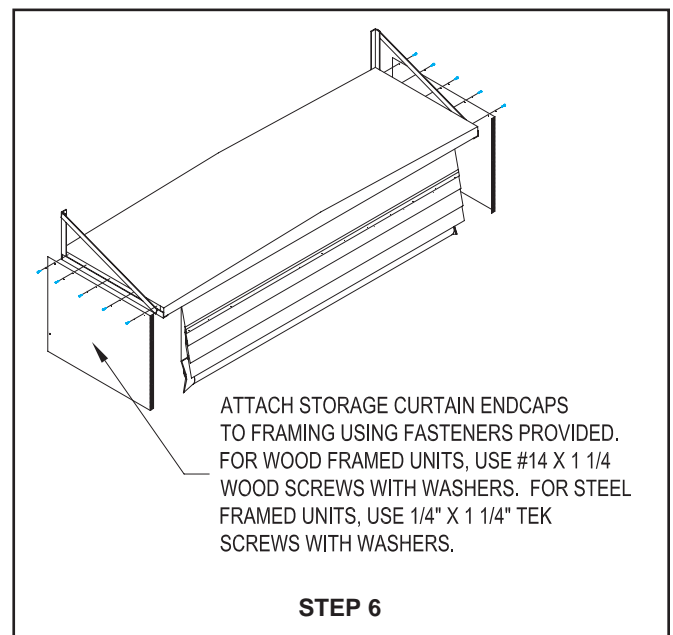
5. Attach deflector panel to head frame

The panel should be centered on the width of the head frame and should extend approximately 6" below the bottom edge of the head frame.



6. Attach storage curtain endcaps to the head frame

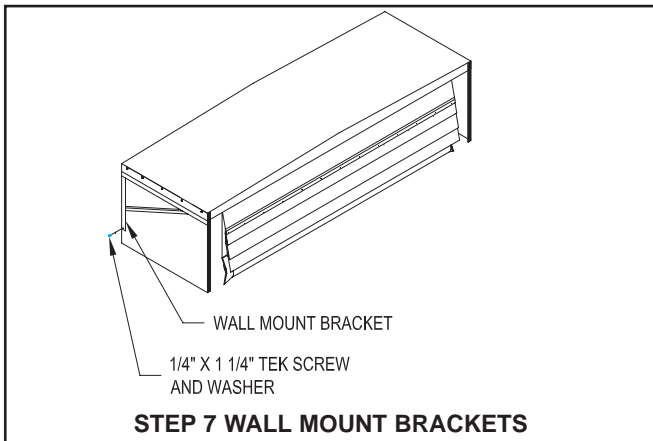
Secure the storage curtain endcaps to the head frame using the supplied fasteners. For wood head frames, use #14 x 1 1/4" hex head wood screws and washers. For steel head frames, use 1/4" x 1 1/4" tek screws and washers.



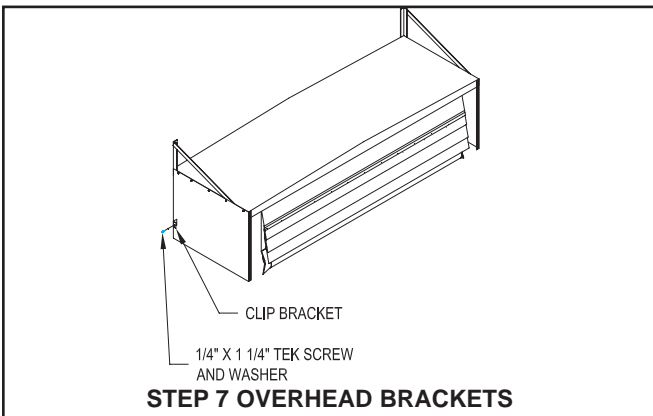
INSTALLATION INSTRUCTIONS

7. Secure bottom of endcaps

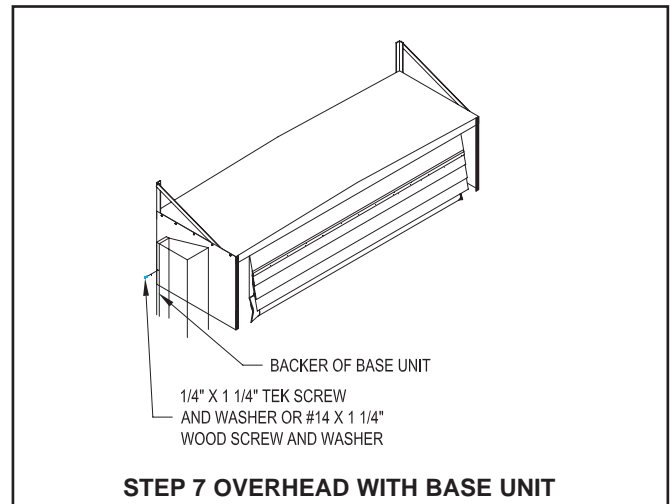
On units with wall mount brackets, the bottom of the endcap is to be fastened to the vertical leg of the bracket with a 1/4" x 1 1/4" tek screw and washer.



On units with overhead brackets that are either standalone units or where the RainGuard is wider than the base unit, the bottom of the endcap must be fastened to the supplied clip bracket with a 1/4" x 1 1/4" tek screw and washer. The clip bracket must be securely fastened to the wall.



On units with overhead brackets where the RainGuard is the same width as the base unit, fasten the bottom of the endcap to the backer of the base unit using the appropriate fasteners. On base units with wood backers, use a #14 x 1 1/4" wood screw and washer. On base units with steel backers, use a 1/4" x 1 1/4" tek screw and washer.



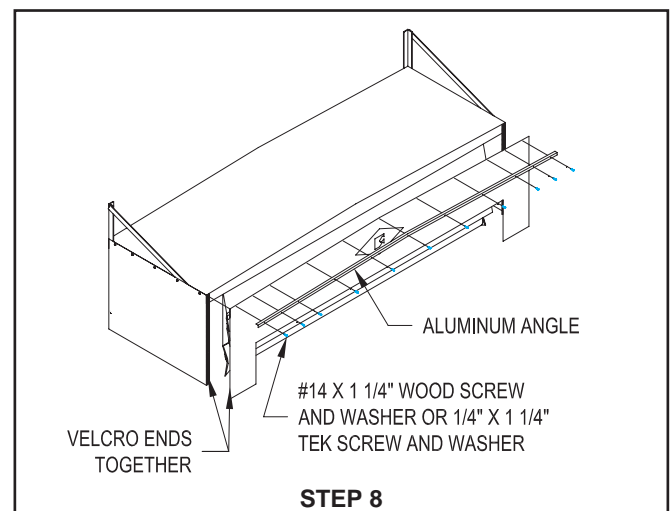
8. Attach front section of storage curtain to the head frame.

Use the roofing nails provided to fasten the front face of the storage curtain to the head frame in a minimum of three places. On steel head frames, it will be necessary to pre drill the head frame using a 1/8" drill bit.

Attach the velcro on the endcaps with the velcro on the front section of the storage curtain.

Set the trim angle in place, being careful not to damage the foam tape at the front edge of the head frame.

Secure the trim angle in place using the supplied fasteners. The fasteners should go through the trim angle, through the front section of the storage curtain, and into the head frame. For wood head frames, use the #14 x 1 1/4" wood screws and washers provided. For steel head frames, use the 1/4" x 1 1/4" tek screws and washers provided.



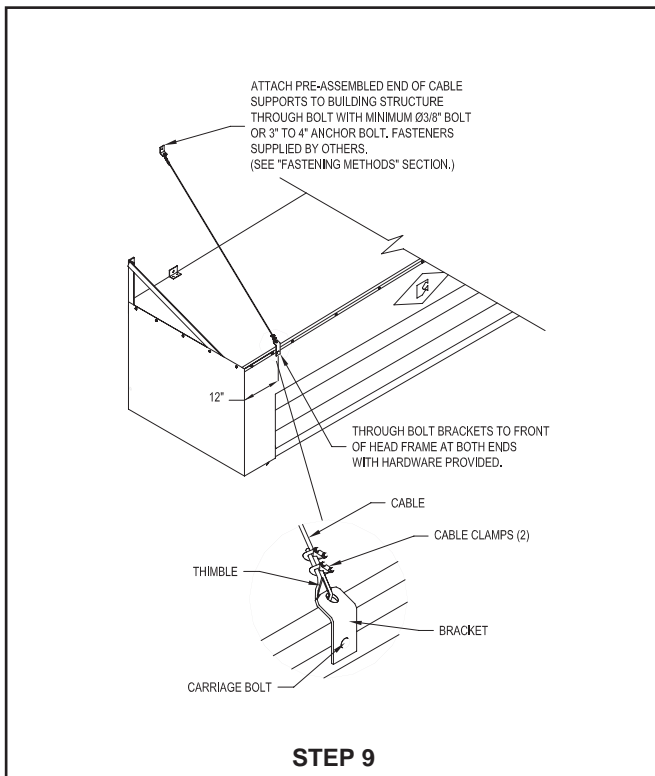
INSTALLATION INSTRUCTIONS

9. Install cable supports

Mount pre-assembled brackets/cable assemblies to the building wall above existing RainGuard head frame, approximately 12" in from each end of the head frame. It may be necessary to locate brackets on the building wall so that fasteners hit a building structural member. An angle of 45 degrees minimum should be maintained between the RainGuard head frame and the support cables in order to maintain maximum support of the head frame.

Mount the remaining brackets to the head frame approximately 12" in from each end.

Assemble the thimble, cable, and cable clamps. Pull cable tight and tighten the cable clamps. Cut away excess cable.



Fastening Methods

Concrete Block or Brick Wall

Through bolt fastening is required. Bore a hole through the building wall. Use a 3/8" diameter threaded rod with a washer, nut, and jam nut on each end - it will be necessary to install a back-up-plate inside the building wall when the wall will not support the bolt.

Concrete Tilt-Up Walls (Precast)

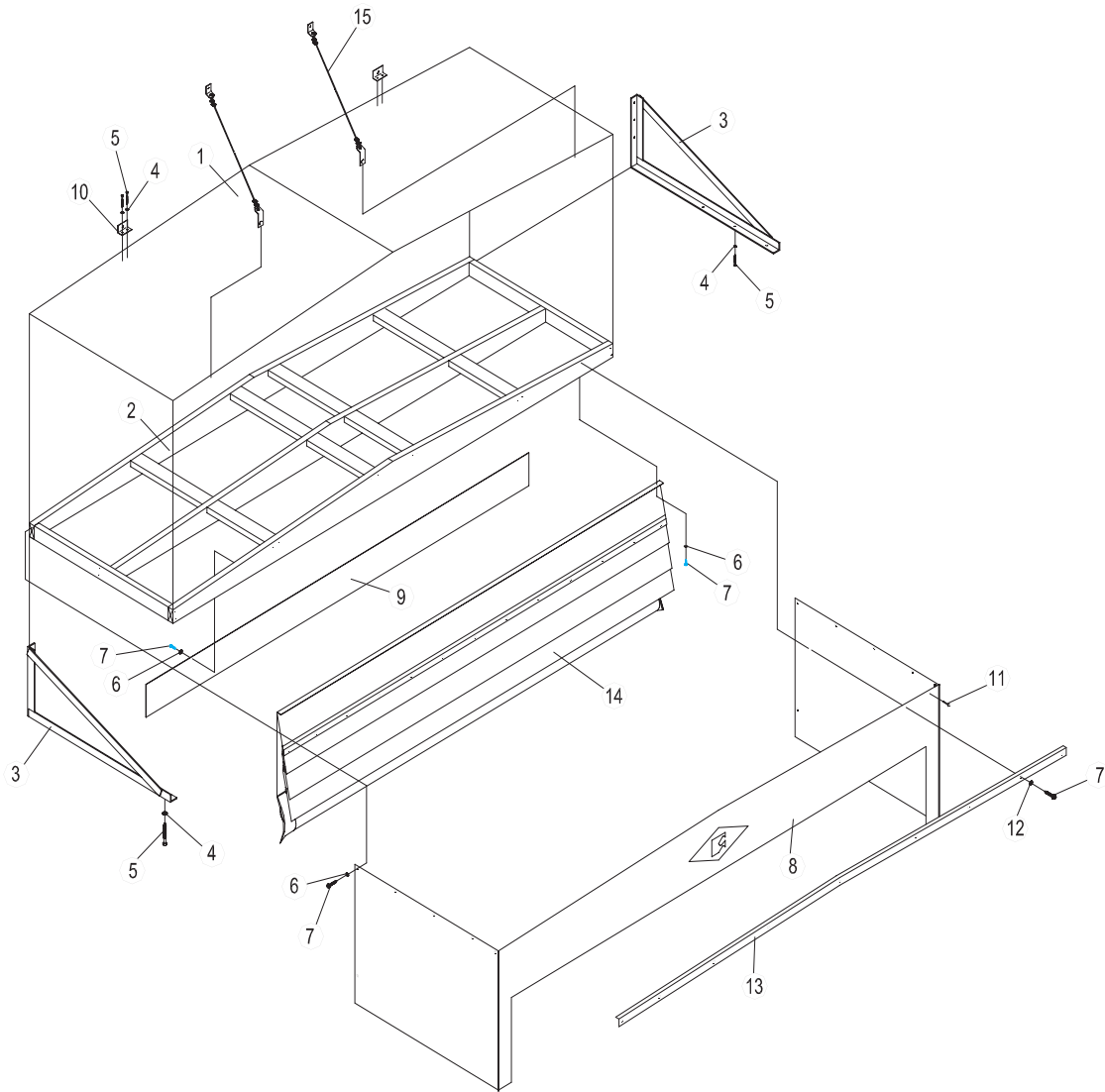
Use 3/8" lag bolts with expansion shields, 3/8" one piece anchor bolts with expansion collar, or equivalent fastener. If building wall is too thin to effectively hold the lag bolt or anchor bolt, the through bolt method of attachment is required.

*See anchor manufacturer's recommendation for minimum anchor embedment to determine appropriate anchor length.

Metal Side Building

Through bolt method of attachment is required for this building style. It will be necessary to install a back-up plate that is fastened directly to structural members when it is not possible to fasten directly to structural building members.

EXPLODED VIEW



1. Fiberglass
2. Head Frame
3. Mounting Brackets
4. 5/16" Flat Washer, Zinc
5. 5/16" x 3" Lag Screw or 1/4" x 1 1/4" Tek Screws
6. 1/4" Flat Washer, Zinc
7. #14 x 1 1/4" Wood Screw

8. Storage Curtain
9. Deflector Panel
10. Clip Bracket
11. 3/4" Roofing Nail
12. 1/4" Stainless Steel Flat Washer
13. Trim Angle
14. Seal Assembly
15. Cable Support Kit

NOTES

NOTES

NOTES

WARRANTY POLICY

Frommelt warrants that a RainGuard™ Shelter will be free of defects in design, materials, and workmanship for a period of 365 days from the date of shipment. All claims for breach of this warranty must be made within 30 days after the defect is or can, with reasonable care, be detected and in no event more that 395 days after shipment. In order to be entitled to the benefits of this warranty, the products must have been properly installed, maintained, operated within its rated capacities, and not otherwise abused.

Frommelt expressly disclaims all implied warranties including the implied warranties of merchantability and fitness.

In the event of any defects covered by this warranty, Frommelt will remedy such defects by repairing or replacing any defective parts, bearing only the cost for the parts and transportation of those parts. This shall be the exclusive remedy for all claims whether based on contracts, negligence, or strict liability.

Frommelt shall not in any event be liable for any loss of use of any equipment or incidental or consequential damages of any kind.

**“Our mission is to improve industrial
safety and productivity worldwide through
quality and innovation.”**

**Frommelt Products Corporation
A Rite-Hite Company
8900 North Arbon Drive
P.O. Box 245020
Milwaukee, WI 53224-9520**