

4

3

DWG NO  
A7120114

SHEET  
1 OF 1

REV  
A

1

NEXT ASSEMBLY

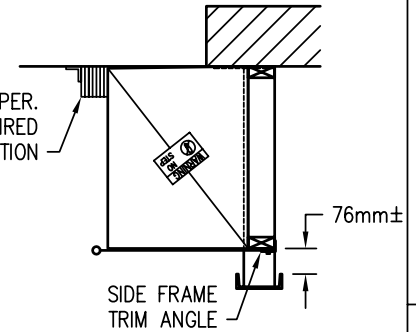
REVISION HISTORY

REV	DESCRIPTION	ECN	DATE	BY	APPROVED
A	ADDED "FOR REFERENCE ONLY" NOTE	11-010	3/29/2011	GDB	

NOTES:

- 1) STANDARD FRAME:  
NON-ROT PRESSURE TREATED WOOD
- 2) FOAM TAPE WATER BARRIER INCLUDED  
BETWEEN HEAD FRAME AND TRIM ANGLE

102mm MIN. BUMPER.  
355mm-508mm REQUIRED  
PENETRATION

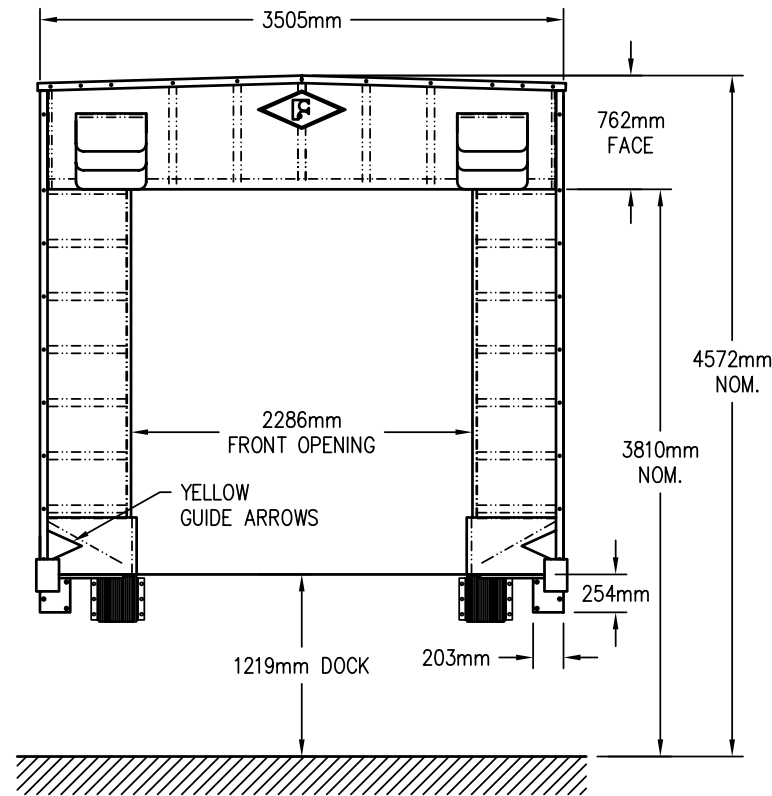


SECTION THRU SIDE FRAME

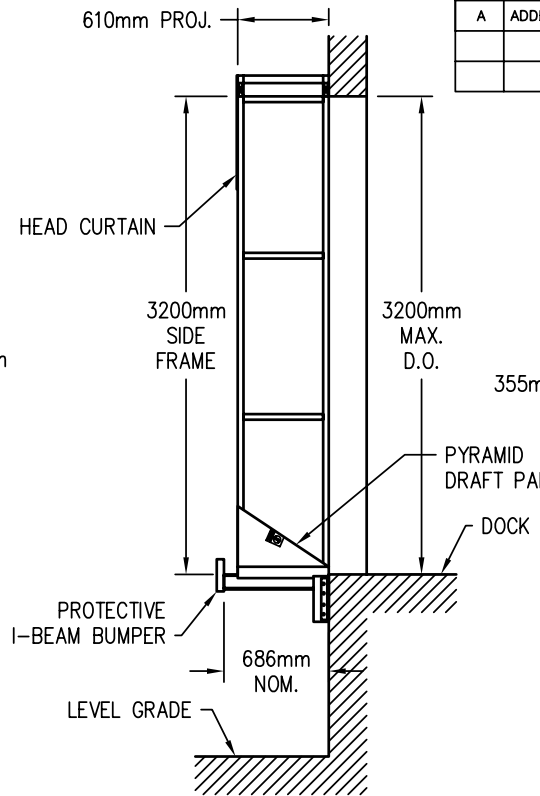
HEAD CURTAIN FABRIC: \_\_\_\_\_  
SIDE CURTAIN FABRIC: \_\_\_\_\_  
ARMOR PLEAT FABRIC: \_\_\_\_\_

RECOMMENDED TRUCK COVERAGE:  
3886mm TO 4115mm HIGH X 2438mm TO 2591mm WIDE

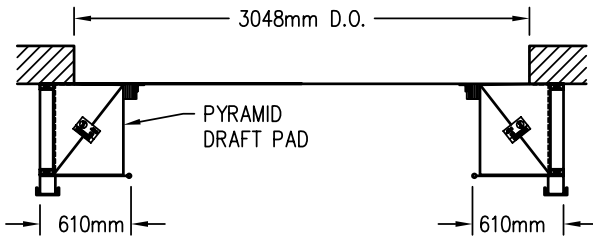
ITEM	QTY	PART NO.	DESCRIPTION
PARTS LIST / MATERIAL			



FRONT ELEVATION



SECTION THRU ELEVATION



SECTION THRU PLAN

THIS DRAWING IS FOR  
REFERENCE ONLY.  
DO NOT USE FOR  
PRODUCTION PURPOSES.

INCH TOLERANCES			DO NOT SCALE DRAWING	
OVER	UP TO	+ / -		
0	0.125	0.005		
0.125	0.25	0.010		
0.25	1.25	0.020		
1.25	5	0.030		
5	15	0.040		
15	40	0.060		
40	80	0.100		
80	-	0.125		
ANGLES	±/ - 1 DEG		INITIAL ECN	
FINISH	NONE		DATE ISSUED	
REF			SCALE 3/8" = 1"	

MM-DD-YY		TITLE	
DRAWN BY GDB		ARCHITECTURAL APPROVAL (METRIC)	
DATE 5/5/2009		WG410 STANDARD UNIT	
CHECKED BY		DWG NO	
DATE		A7120114	
APPROVED BY		REV	
DATE		A	
SCALE 3/8" = 1"		SHEET 1 OF 1	

4

3

2

1

B

B

A

A