

HVLS FANS

General:

It is important to understand the performance of Revolution SP Fans and the interaction with existing methods of moving air in the desired area. Consult with a local Rite-Hite fan expert to determine the best HVLS fan for your application.

Coverage Area

One Revolution SP Fan is designed to move air up to 50' from the fan's center in all directions, covering up to 7,800 square feet.

Year Round Comfort and Energy Savings

Revolution SP Fans can function as a stand alone product or in conjunction with other methods of maintaining a comfortable air temperature in a desired area.

Cooling People

Revolution SP Fans can also be used to supplement conditioned air, allowing the thermostat set point to be raised a few degrees while lowering the apparent temperature. Raising the set point can reduce energy consumption by up to 20%, without sacrificing comfort. Revolution SP Fans will also help in areas that are subject to rapid increases in occupancy, where the A/C can no longer keep up with the demand for cool air.

Destratification

When used in heated facilities, Revolution SP Fans maintain uniform temperatures by moving air from the ceiling to the floor, improving comfort while reducing energy consumption by up to 30%. Revolution SP Fans can run in reverse to eliminate drafts when necessary.

Style & Performance Considerations:

- ▶ Revolution SP Fans create a visual statement by incorporating a stylish fan with color options to accent any decor.
- ▶ Revolution SP Fans run so quietly, suitable for any environment.
- ▶ Revolution SP Fans standard package includes polished aluminum blades with a powder coated motor frame in black, white, or grey.
- ▶ When a custom look is desired, the blades and motor frame can be painted to any color.

Placement Considerations:

- ▶ Revolution SP Fans are most effective when mounted between 10' - 30' (finished floor to bottom of blade) with a 2' - 3' (depending on fan diameter) minimum clearance from the tip of the blade to the ceiling.
- ▶ Revolution SP Fans need to be mounted at a height where there will be no possible contact with the blades.



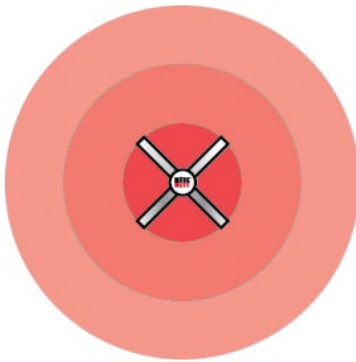
REVOLUTION SP™

Air Movement Guidelines

- ▶ The minimum air speed for effective destratification is ½ mph.
- ▶ The minimum air speed to supplement conditioned air for a cooling effect is ½ mph.
- ▶ At ambient conditions higher air speeds create a greater cooling effect.

4 blade Revolution SP Fans

	12'		10'		8'	
	Full Power	Half Power	Full Power	Half Power	Full Power	Half Power
Zone 1	4.1 miles per hour	2.5	4.0	2.3	3.9	2.2
Zone 2	1.5	1.1	1.1	0.6	0.9	0.6
Zone 3	1.3	0.9	1.1	0.6	0.9	NA

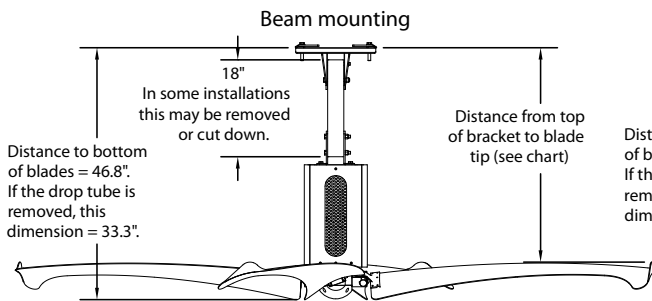


- Zone 1 – Within diameter of fan blades
- Zone 2 – 25' from the fan center (1,950 sq. ft.)
- Zone 3 – 50' from the fan center (7,800 sq. ft.)

Results based on the following:

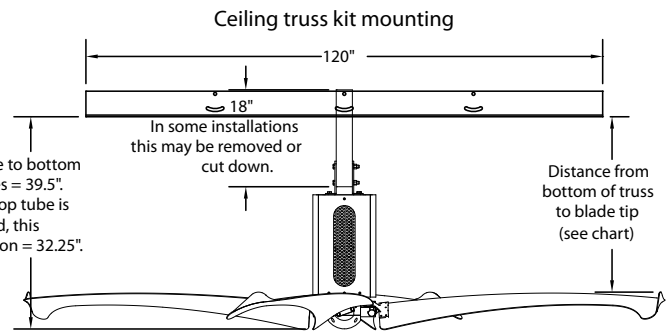
- Air speeds are the average velocity for each fan and zone.
- Air speeds were measured 48" from the floor.
- Fans were mounted 15' above the floor.
- 1 mph = 88' per minute

Fan specifications



Beam mounting

Diameter	Airflow	Speed	Weight	Distance from top of bracket to blade tip*	
				At rest	Full rpm
ft	cfm	rpm	lb	in	in
8'	50,000	20-120	140	40.0	40.0
10'	75,000	17-100	145	40.0	39.25
12'	100,000	13-80	150	40.0	38.5



Ceiling truss kit mounting

At rest	Full rpm
32.75	32.75
32.75	32.0
32.75	31.25

* Optional extension kit available to increase dimension if necessary.



8900 North Arbon Drive Milwaukee, WI 53223 USA (414) 355-2600 (800) 456-0600 FAX: (414) 355-9248

Mailing Address: Rite-Hite P.O. Box 245020 Milwaukee, WI 53224 USA

www.ritehite.com www.ritehitefans.com

RITE-HITE® and Revolution™ are trademarks of the RITE-HITE Holding Corporation.

RITE-HITE products may be covered by one or more U.S. Patents with other U.S. and foreign patents pending. RITE-HITE reserves the right to make product improvements without prior notice.