

4

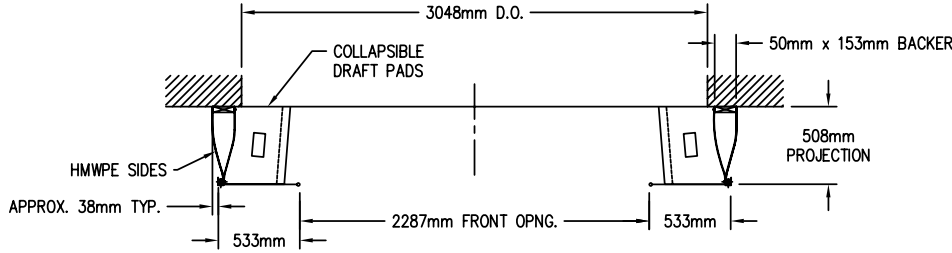
3

2

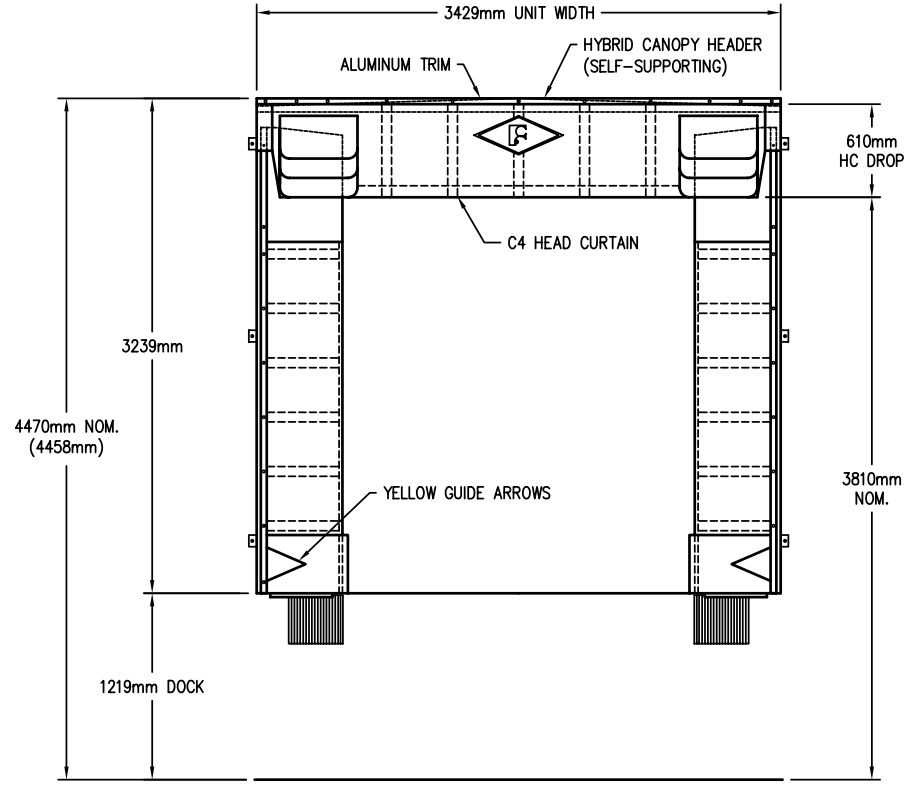
1

NEXT ASSEMBLY

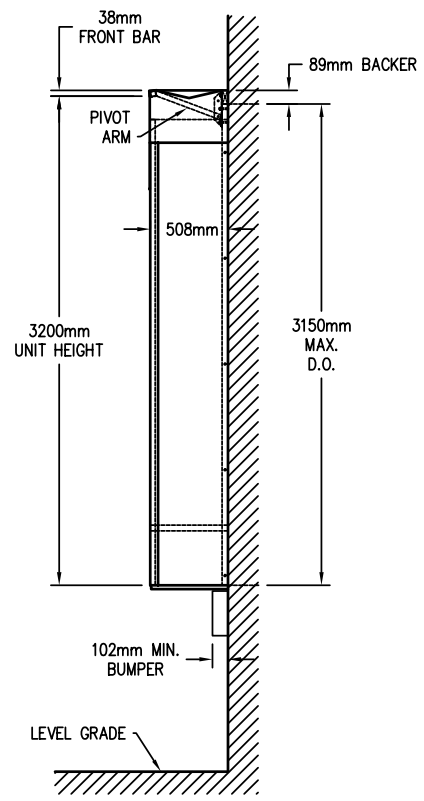
REVISION HISTORY					
REV	DESCRIPTION	ECH	DATE	BY	APPROVED
A	ADDED NOTE ABOUT RAISED BUMPERS	08-009	3/28/08	GDB	
B	ADDED "FOR REFERENCE ONLY" NOTE	11-010	3/29/2011	GDB	



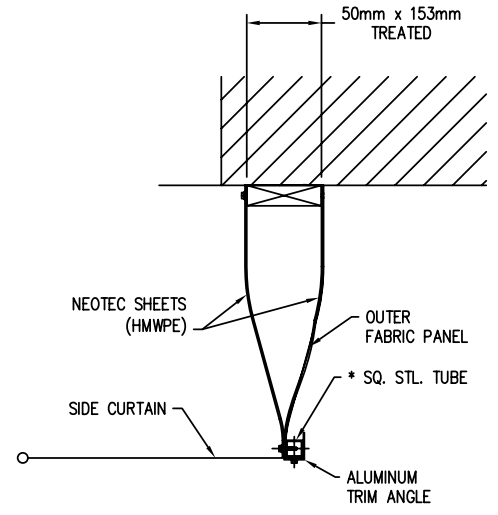
SECTION THRU PLAN



FRONT ELEVATION



SIDE ELEVATION



SECTION THRU SIDE MEMBER

*NOTE:
VERTICAL SQUARE TUBE ON SIDE MEMBER IS NOT TIED INTO FRONT BAR ON HYBRID HEADER UNITS

- NOTES:
- 1) VARIOUS FABRIC OPTIONS AVAILABLE ON C4 STYLE HEAD CURTAIN & SIDE CURTAINS
 - 2) RECOMMENDED TRUCK COVERAGE: 3886mm TO 4115mm HIGH X 2438mm TO 2591mm WIDE
 - 3) 508mm MINIMUM PROJECTION
 - 4) 3429mm IS ONLY AVAILABLE WIDTH
 - 5) AVAILABLE UP TO 813mm MAX. PROJECTION WITH HYBRID HEADER
 - 6) AVAILABLE TAPERS ARE 76mm & 152mm ONLY
 - 7) AVAILABLE DOCK HEIGHTS ARE 635mm MIN. TO 1524mm MAX.
 - 8) APPLICATIONS THAT HAVE BUMPERS MOUNTED ABOVE DOCK HEIGHT (OR ABOVE THE PIT FLOOR IN VERTICAL LEVELER APPLICATIONS) MAY REQUIRE THAT THE BOTTOM OF THE SIDE MEMBERS BE MOUNTED AT THE TOP OF THE BUMPERS INSTEAD OF AT DOCK HEIGHT.

THIS DRAWING IS FOR REFERENCE ONLY. DO NOT USE FOR PRODUCTION PURPOSES.

©2005 FROMMELT PRODUCTS CORP.

INCH TOLERANCES			DO NOT SCALE DRAWING	
OVER	UP TO	+ / -	MM-DD-YY	
0	0.125	0.005		
0.125	0.25	0.010		
0.25	1.25	0.020		
1.25	5	0.030		
5	15	0.040		
15	40	0.050		
40	80	0.100		
80	-	0.125		

DRAWN BY	GDB	DATE	8/24/2007
CHECKED BY		DATE	
APPROVED BY		DATE	

INITIAL ECH	
DATE ISSUED	
REF	

ITEM	QTY	PART NO.	DESCRIPTION
PARTS LIST / MATERIAL			

<p>FROMMELT PRODUCTS CORP.</p> <p>450S SURVIVOR (METRIC) 508mm PROJECTION UNIT WITH OPTIONAL HYBRID HEADER</p>			<p>REV B</p>
SIZE	MODEL NUMBER	DWG NO	
C	450S	A7120095	
SCALE 1/2"=1'			SHEET 1 of 1

4

3

2

1

DWG NO A7120095 SHEET 1 of 1 REV B