

4

3

DWG NO
A7120122

SHEET
1 OF 1

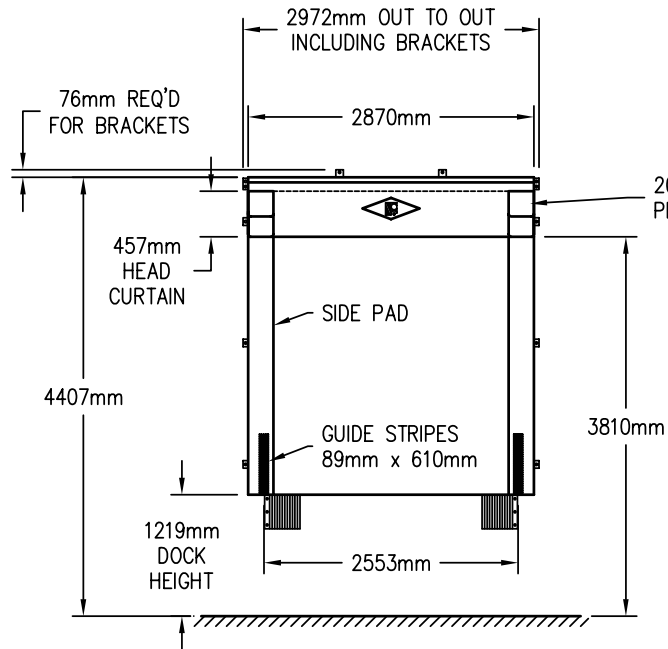
REV
A

1

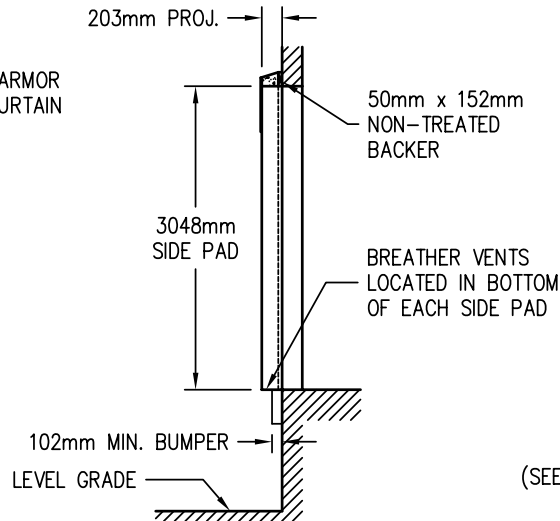
NEXT ASSEMBLY

REVISION HISTORY

REV	DESCRIPTION	ECN	DATE	BY	APPROVED
A	ADDED "FOR REFERENCE ONLY" NOTE	11-010	3/29/2011	GDB	



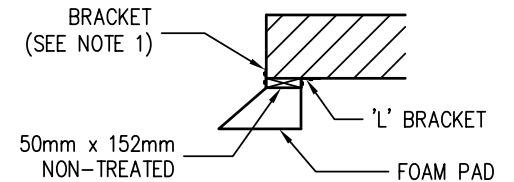
ELEVATION



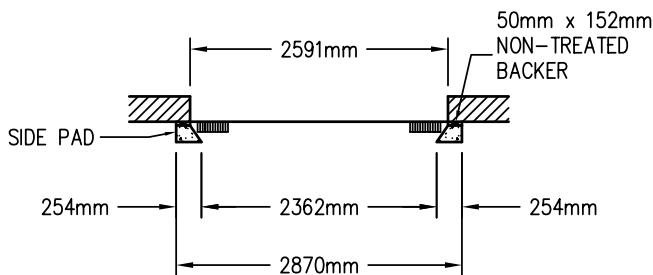
SECTION THRU ELEVATION

NOTES:

1. APPROPRIATE BRACKETS WILL BE SENT ACCORDING TO DOOR OPENING.
2. RECOMMENDED TRAILER COVERAGE:
3886mm - 4115mm HIGH
2438mm - 2591mm WIDE
3. APPLICATIONS THAT HAVE BUMPERS MOUNTED ABOVE DOCK HEIGHT (OR ABOVE THE PIT FLOOR IN VERTICAL LEVELER APPLICATIONS) MAY REQUIRE THAT THE BOTTOM OF THE SIDE PADS BE MOUNTED AT THE TOP OF THE BUMPERS INSTEAD OF AT DOCK HEIGHT.



SIDE PAD MOUNTING



SECTION THRU PLAN

THIS DRAWING IS FOR REFERENCE ONLY. DO NOT USE FOR PRODUCTION PURPOSES.

©2010 FROMMELT PRODUCTS CORP.

ITEM	QTY	PART NO.	DESCRIPTION
PARTS LIST / MATERIAL			

INCH TOLERANCES			DO NOT SCALE DRAWING	
OVER	UP TO	+ / -	MM-DD-YY	DATE
0	0.125	0.005		
0.125	0.25	0.010		
0.25	1.25	0.020	DRAWN BY	8/30/2010
1.25	5	0.030	GDB	
5	15	0.040	CHECKED BY	DATE
15	40	0.060		
40	80	0.100	APPROVED BY	DATE
80	-	0.125		
ANGLES	±/ - 1 DEG		INITIAL ECN	10-021
FINISH	NONE		DATE ISSUED	
			REF	

FROMMELT® PRODUCTS CORP.			
TITLE ARCHITECTURAL APPROVAL (METRIC) FDS SERIES DOCK SEAL FDS 'STANDARD UNIT'			
SIZE B	MODEL NUMBER FDSC	DWG NO A7120122	REV A
SCALE 1/4" = 1"	PART #	SHEET 1 OF 1	

4

3

2

1