

4

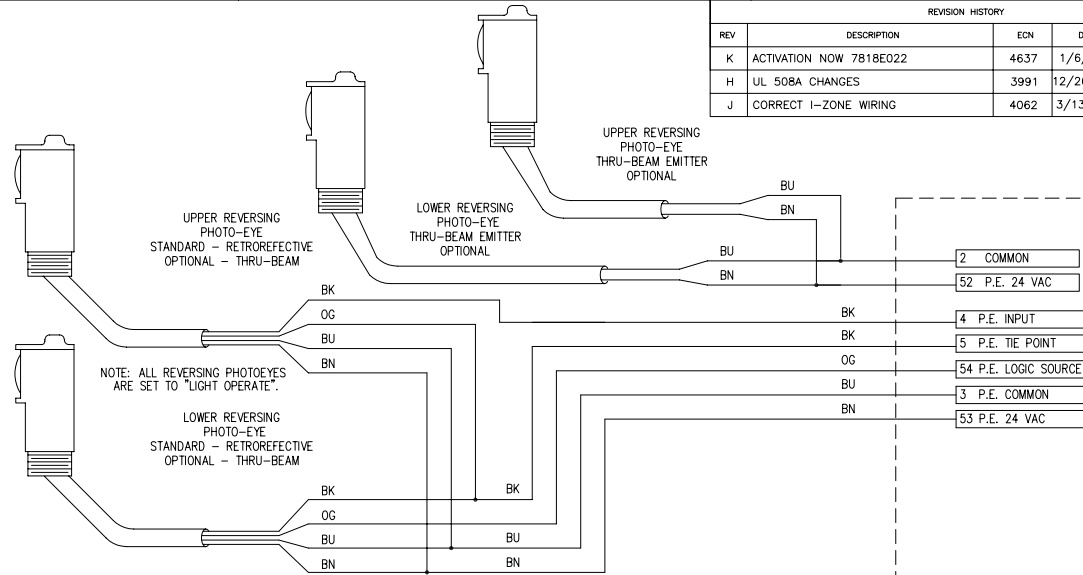
3

2

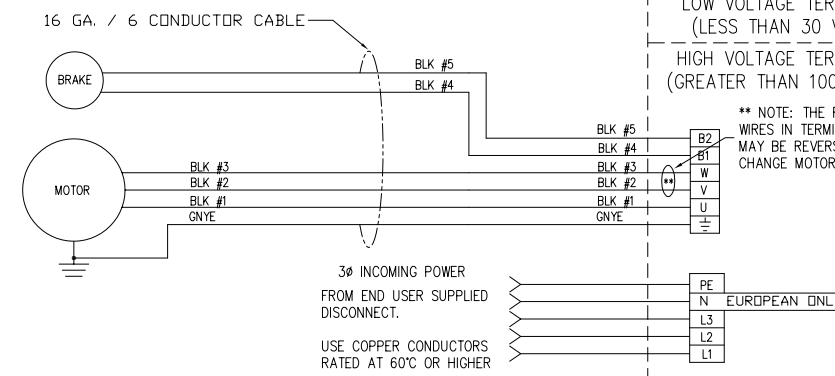
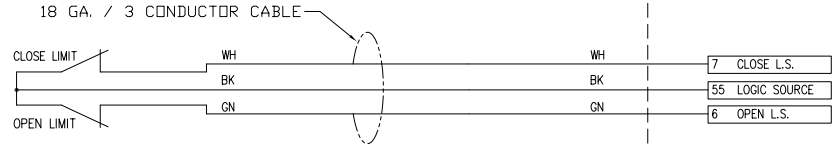
1

NEXT ASSEMBLY

REVISION HISTORY					
REV	DESCRIPTION	ECN	DATE	BY	APPROVED
K	ACTIVATION NOW 7818E022	4637	1/6/2005	RPB	
H	UL 508A CHANGES	3991	12/26/2002	RPB	
J	CORRECT I-ZONE WIRING	4062	3/13/2003	RPB	



NOTE: ALL REVERSING PHOTOEYES ARE SET TO "LIGHT OPERATE".



LOW VOLTAGE TERMINALS (LESS THAN 30 VOLTS)
HIGH VOLTAGE TERMINALS (GREATER THAN 100 VOLTS)

** NOTE: THE RD & BK WIRES IN TERMINALS W & V MAY BE REVERSED TO CHANGE MOTOR ROTATION.

BRANCH CIRCUIT PROTECTION		
NOTE: BRANCH CIRCUIT PROTECTION MUST BE SUPPLIED BY THE END USER AND COMPLY WITH ALL NATIONAL AND LOCAL ELECTRICAL CODES. SIZING FOR PROTECTIVE DEVICES MAY BE BASED ON INTERMITTENT DUTY.		
MODEL	VOLTAGE	F.L.A.
8910 (1 HP)	208	3.65
	230-240	3.65
	380-415	2.10
	440-480	1.83
	575	1.50
8920 (1 HP OR 1.5 HP)	208 SIZE \leq 144 SQ. FT.	3.65
	208 SIZE $>$ 144 SQ. FT.	4.20
	380-415	2.10
	440-480	1.83
	575	1.50
8920PL (2 HP)	230-240	6.33
	380-415	3.64
	440-480	3.17
575	2.45	

NOTE:
USE ONLY FACTORY SUPPLIED CABLE FOR MOTOR, PHOTOEYES, & LIMIT SWITCHES.

ITEM	QTY	PART NO.	DESCRIPTION
PARTS LIST / MATERIAL			

INCH TOLERANCES			DO NOT SCALE DRAWING	
OVER	UP TO	+ / -	DATE	MM-DD-YY
0	0.125	0.005		
0.125	0.25	0.010	DRAWN BY	RPB
0.25	1.25	0.020	DATE	5/31/2000
1.25	5	0.030	CHECKED BY	
5	15	0.040	DATE	
15	40	0.060	APPROVED BY	
40	80	0.100	DATE	
80	-	0.125		

RITE-HITE DOORS INC.

TITLE: TRAKLINE - ROLL & FOLD-SIDEFRAME EXTERNAL FIELD WIRING DIAGRAM CONTROLS, DOMESTIC & INTERNATIONAL

SIZE: C MODEL NUMBER: 8910/8920/8920PL DWG NO: 7818E007 REV: K

DATE ISSUED: 10/2/2000 INITIAL ECN: 2961

SCALE: 6"=1' PART #

SHEET 1 of 10 DWG NO. 7818E007

4

3

2

1

D

C

B

A

D

C

B

A